



# Pneumatic Needle Scaler

#505801, JAT-801



## Operation & Parts Manual

M-505801

Edition 3

11/2018

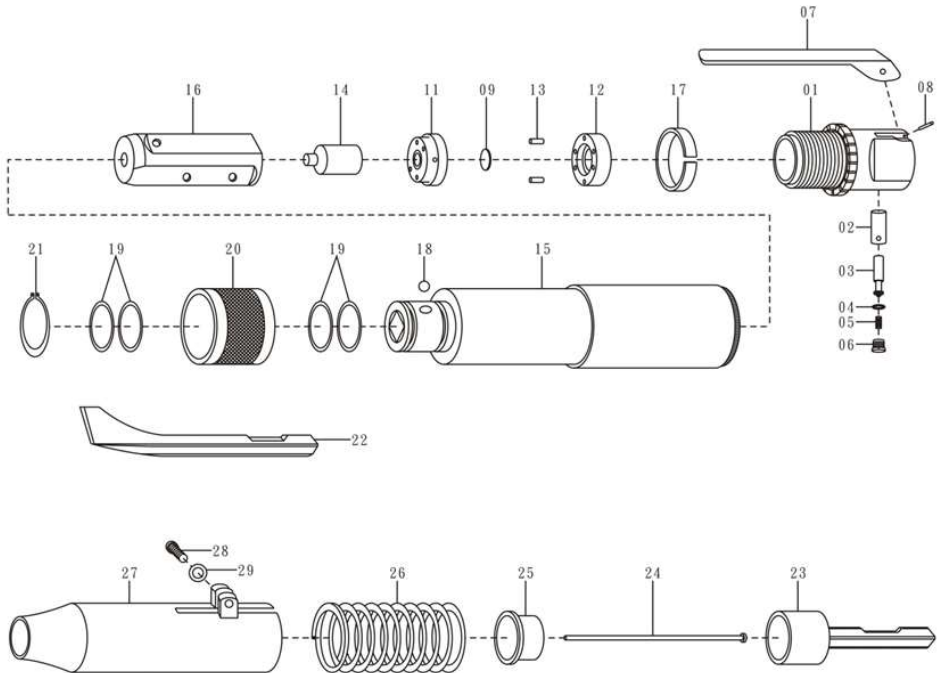


Stock No.:
Serial No.:
Purchased from:
Date purchased:

**JET**  
427 New Sanford Road  
LaVergne, TN 37086  
Ph.: 800-274-6848  
[www.jettools.com](http://www.jettools.com)

Copyright © 2015 JET

# #505801, JAT-801, Needle Scaler – parts breakdown



Index	Part No.	Description	Qty
1	F25-01	Cylinder cap	1
2	F25-02	Throttle bushing	1
3	F25-03	Throttle rod	1
4	F25-04	O-Ring 3.8x1.9	1
5	F25-05	Spring 8x16	1
6	F25-06	Plug 1/8NPT	1
7	F25-07	Throttle lever	1
8	F25-08	Roll pin 3x20	1
9	F25-09	Main valve	1
11	F25-13	Upper main valve	1
12	F25-12	Lower main valve	1
13	F25-11	Pin 2.8x11	2
14	F25-14	Piston	1
15	F25-15	Cylinder	1
16	F25-16	Piston sleeve	1

Index	Part No.	Description	Qty
17	F25-17	Lock ring	1
18	SB-7/16	Steel ball 7/16in.	1
19	F25-19	O-Ring 23.7x3.5	4
20	F25-20	Knurled collar	1
21	F25-21	Snap ring S28	1
22	F25-22	Chisel	1
23	F25-23	Needle shank	1
24	JAT801-24	Needle	19
25	F25-25	Needle flange	1
26	F25-26	Spring 38x83	1
27	F25-27	Needle cover	1
28	TS-1504041	Soc. hd. cap screw M8x20	1
29	F25-29	Spring washer S8	1
30	TS-152707	Hex wrench 6mm (not shown)	1

RBK-25, Rebuild Kit, contains 4,5,9,11,12,13,14,19(4)