



# Orbital (Jitterbug) Sander

#505710, JAT-710



## Operation & Parts Manual

M-505710  
Edition 2  
11/2018

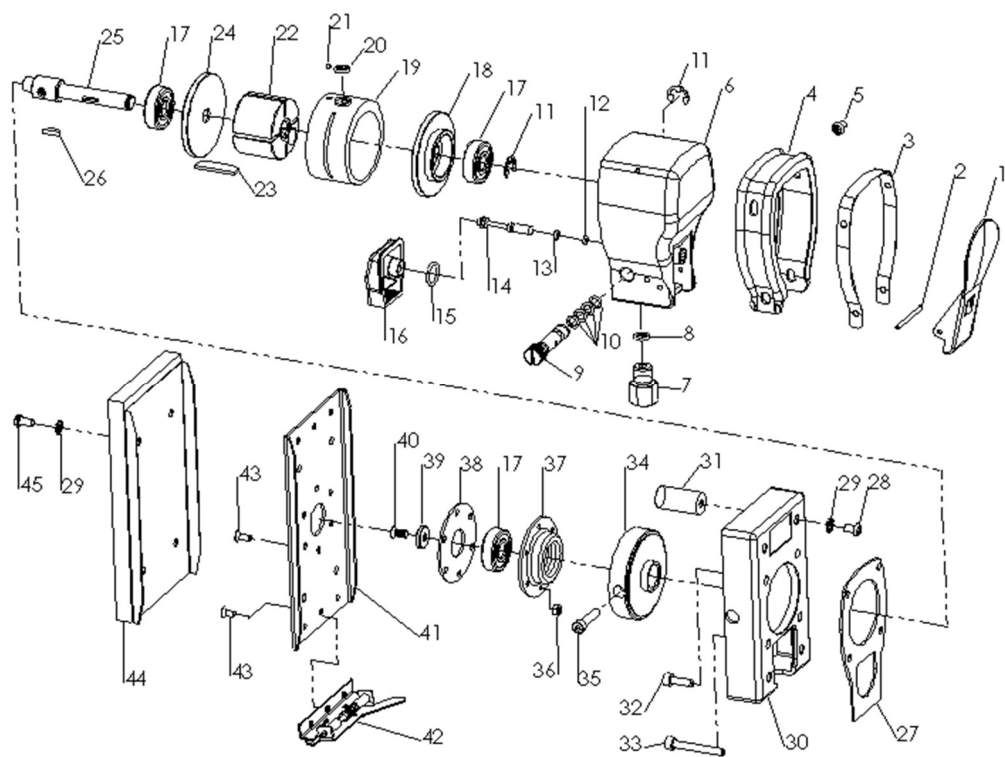


Stock No.:
Serial No.:
Purchased from:
Date purchased:

**JET**  
427 New Sanford Road  
LaVergne, TN 37086  
Ph.: 800-274-6848  
[www.jettools.com](http://www.jettools.com)

Copyright © 2015 JET

## #505710, JAT-710, Orbital (Jitterbug) Sander – exploded view



## #505710, JAT-710, Orbital (Jitterbug) Sander – parts list

Index	Part No.	Description	Qty
1	JAT710-01	Operating Lever	1
2	JAT710-02	Lever pin	1
3	JAT710-03	Metal strip	1
4	JAT710-04	Rubber grip	1
5	JAT710-05	Grip screw	4
6	JAT710-06	Body	1
7	JAT710-07	Inlet screw	1
8	JAT710-08	O-Ring P7/6.8x1.9	1
9	JAT710-09	Speed regulator	1
10	JAT710-10	O-Ring 010/6.07x1.78	4
11	JAT710-11	Retaining ring	2
12	JAT710-12	O-Ring 006/2.9x1.78	1
13	JAT710-13	O-Ring 008/4.47x1.78	1
14	JAT710-14	Plunger	1
15	JAT710-15	O-Ring P8/7.8x1.9	1
16	JAT710-16	Muffler	1
17	BB-6200ZZ	Ball bearing 6200ZZ	3
18	JAT710-18	End plate	1
19	JAT710-19	Cylinder	1
20	JAT710-20	O-Ring 7.5x2	1
21	JAT710-21	Ball	1
22	JAT710-22	Rotor	1
23	JAT710-23	Rotor vane	4

Index	Part No.	Description	Qty
24	JAT710-24	End plate	1
25	JAT710-25	Rotor shaft	1
26	JAT710-26	Key	1
27	JAT710-27	Gasket	1
28	JAT710-28	Screw 5x10 (with #29 spring washer)	1
30	JAT710-30	Base	1
31	JAT710-31	Rubber post	4
32	JAT710-32	Cap screw M5x16	2
33	JAT710-33	Cap screw M5x38	2
34	JAT710-34	Balancer	1
35	JAT710-35	Balancer lock screw	1
36	JAT710-36	Nut M4x7	12
37	JAT710-37	Bearing housing	1
38	JAT710-38	Bearing plate	1
39	JAT710-39	Retaining ring	1
40	JAT710-40	Bearing screw	1
41	JAT710-41	Shoe plate	1
42	JAT710-42	Paper clamp	2
43	JAT710-43	Clamp screw	12
44	JAT710-44	Sanding pad	1
45	JAT710-45	Screw 5x8 (with #29 spring washer)	4

JAT710-RPK, Repair Kit, contains 8,10(4),11(2),12,13,15,20,23(4),27