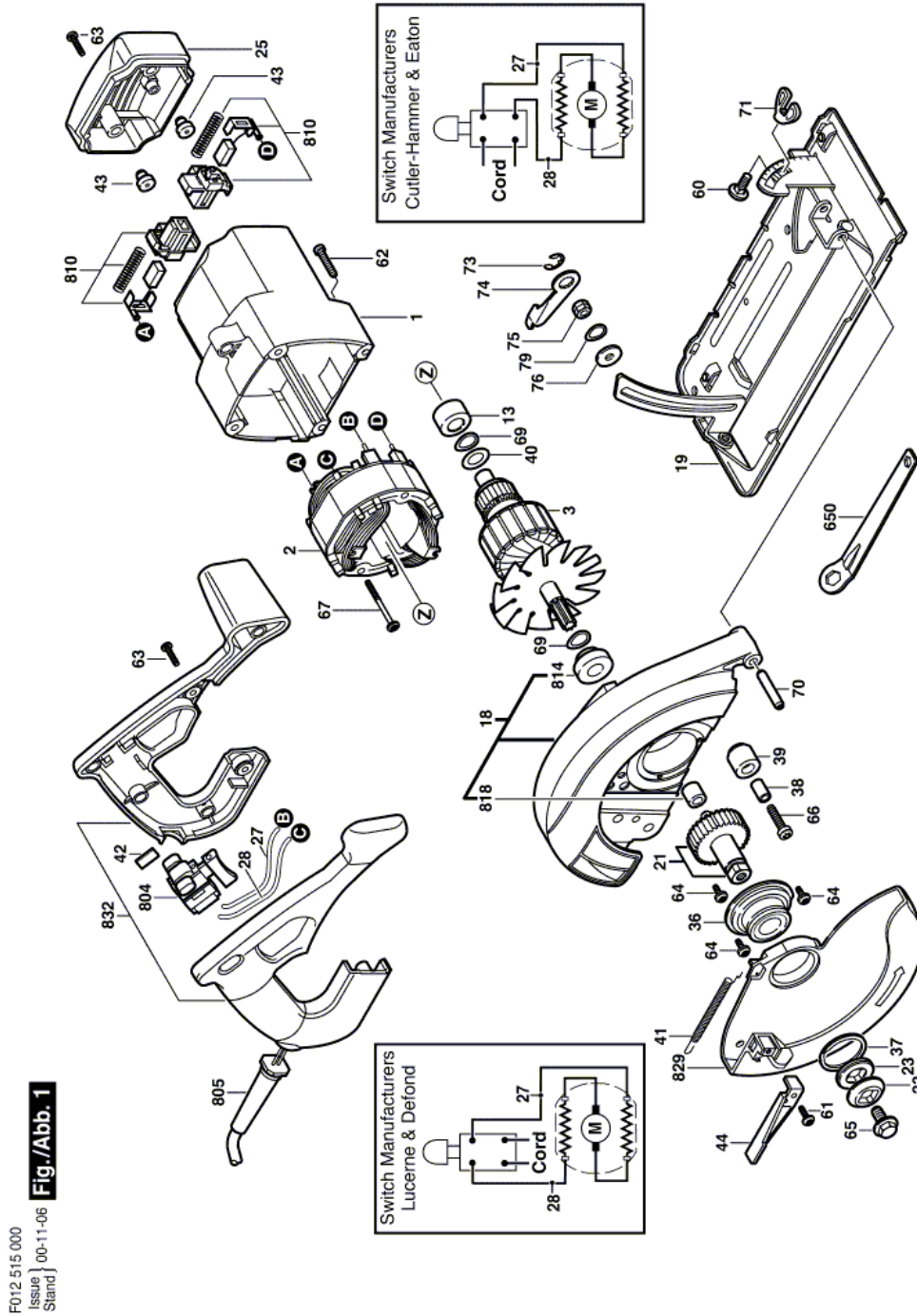


Item	Part Number	Description	Illustration	Part Number
1	2 610 904 250	Motor Housing		1
2	2 610 341 367	Field 120V		1
3	2 610 341 306	Armature 120V		1
13	2 610 921 176	Spare Part		1
18	2 610 996 627	Front Housing		1
19	2 610 341 374	Guide Piece		1
21	2 610 341 350	Pinion Shaft		1
23	2 610 341 361	Supporting Disc		1
25	2 610 341 255	Sealing cap		1
27	2 610 341 377	Connecting Cable 385 MM		1
28	2 610 341 378	Connecting Cable 270 MM		1
36	1 619 X01 554	Bearing Plate		1
37	2 610 341 359	Spring retaining ring		1
38	2 610 341 366	Spacer		1
39	2 610 341 394	End stop		1
40	2 610 341 465	Washer		1
41	2 610 347 486	Extension Spring		1
42	2 610 347 892	Spacer		1
43	2 610 350 655	Rubber Buffer		1
44	2 610 351 898	Lever		1
60	2 610 017 262	Round-Head Bolt		1
61	2 610 328 924	Screw		1
62	2 610 341 335	Screw		1
63	1 619 P01 505	Screw		1
64	1 619 X01 786	Contact Screw		1
65	1 619 X00 935	Hex Screw		1
66	2 610 347 100	Screw		1
67	2 610 347 103	Screw		1
69	2 610 313 808	Plain Washer		1
70	2 610 341 332	Coiled Spring Pin		1
71	2 610 029 562	Wing Nut		1
73	2 610 341 354	Spring retaining ring		1
74	2 610 901 987	Lever		1

Item	Part Number	Description	Illustration
75	2 610 901 988	Round Nut	1
76	1 619 P01 535	Washer	1
79	2 610 069 183	Spring Washer	1
650	2 610 341 299	Box Wrench	1
804	2 610 347 481	On-Off Switch	1
805	2 610 313 328	Power supply cord	1
810	2 610 993 156	Carbon-Brush Set	1
814	2 610 356 680	Bearing Sleeve	1
818	2 610 341 288	Sintered-Metal Bushing	1
829	2 610 341 268	Pivoting Blade Guard	1
832	2 610 904 887	Handle	1

Illustration - Type E



Information subject to change without further notice.