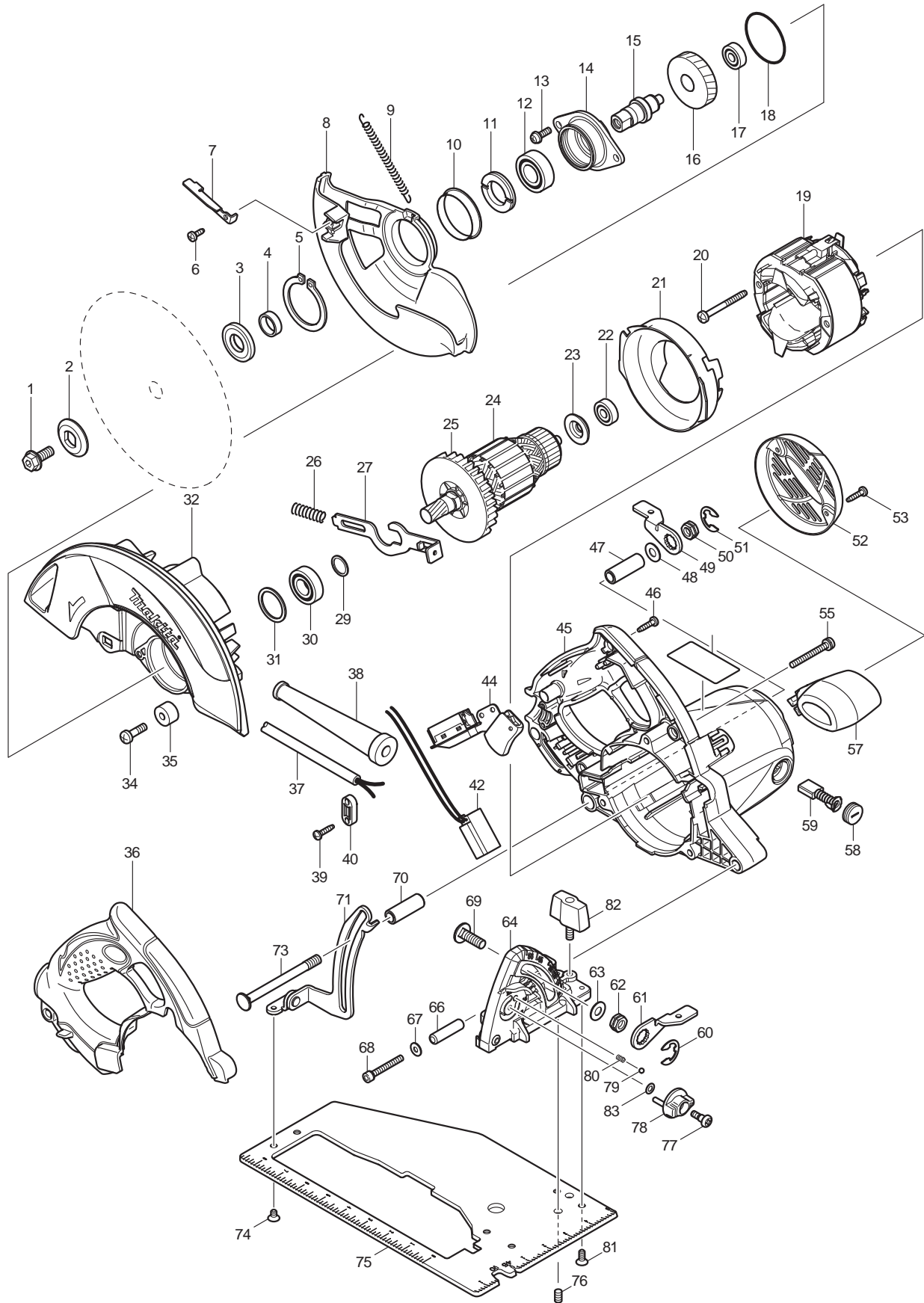




10 - 2011
5007NFA / 5007NFAK
7-1/4" CIRCULAR SAW
(W/ Brake, W/ LED Job Light)



Item No.	Type	Sub	Part No.	Description	Qty	Unit
1			266283-4	HEX. SOCKET HEX. BOLT M8X20	1	PC.
2			224409-4	OUTER FLANGE 35	1	PC.
3			224411-7	INNER FLANGE 35	1	PC.
4			257279-6	RING 17	1	PC.
5			961201-4	RETAINING RING S-42	1	PC.
6			266398-7	TAPPING SCREW BIND CT 4X12	1	PC.
7			345931-9	LEVER PLATE	1	PC.
8	1		318057-0	* SAFETY COVER	1	PC.
	2		318963-9	* SAFETY COVER	1	PC.
9			231839-2	TENSION SPRING 4	1	PC.
10	1		345422-0	SPACER	1	PC.
	2		346880-3	SPACER	1	PC.
11			285848-3	BEARING RETAINER 23-36	1	PC.
12	1		211275-8	BALL BEARING 6003DDW	1	PC.
	2		210301-0	BALL BEARING 6003DDW	1	PC.
13			911223-4	PAN HEAD SCREW M5X16	2	PC.
14			318056-2	BEARING BOX	1	PC.
15			324690-8	SPINDLE	1	PC.
16			226682-2	HELICAL GEAR 47	1	PC.
17	1		211031-6	BALL BEARING 608LLB	1	PC.
	2		210029-0	BALL BEARING 608ZZ	1	PC.
18			213623-7	O RING 46	1	PC.
19			596291-4	FIELD ASS'Y 115V	1	PC.
		INC.	654020-2	RING TERMINAL	1	PC.
		INC.	654502-4	CONNECTOR P-2	1	PC.
20			266397-9	TAPPING SCREW BIND 5X50	2	PC.
21			419548-5	BAFFLE PLATE	1	PC.
22	1		211031-6	BALL BEARING 608LLB	1	PC.
	2		210029-0	BALL BEARING 608ZZ	1	PC.
	3		210005-4	BALL BEARING 608DDW	1	PC.
23			681625-5	INSULATION WASHER	1	PC.
24	1		510114-2	ARMATURE ASS'Y 115V - N//L/A	1	PC.
		INC.		Item No. 22,23,25,29,30		
	2		510133-8	ARMATURE ASS'Y 115V	1	PC.
		INC.		Item No. 22,23,25,29,30		
25			240003-4	FAN 80	1	PC.
26			231297-2	COMPRESSION SPRING 9	1	PC.
27			345717-1	SHAFT LOCK	1	PC.
29			267280-3	FLAT WASHER 15	1	PC.
30			211236-8	BALL BEARING 6002DDW	1	PC.
31			261132-0	URETHANE WASHER 26	1	PC.
32			158673-4	BLADE CASE COMPLETE	1	PC.
		INC.	263002-9	RUBBER PIN 4	2	PC.
		INC.	816911-7	SCALE LABEL	1	PC.
34			251247-1	+ PAN HEAD SCREW M6X20	1	PC.
35			262552-1	RUBBER SLEEVE 6	1	PC.
36			450684-8	HANDLE COVER	1	PC.
37			664463-0	CORD W/PLUG 2P-14-2.5M, SJ	1	PC.
38			682564-2	CORD GUARD	1	PC.
39			266326-2	TAPPING SCREW 4X18	2	PC.
40	1		687052-4	STRAIN RELIEF	1	PC.
	2		687124-5	STRAIN RELIEF	1	PC.
42			631709-9	LIGHT CIRCUIT	1	PC.
44	1		651190-8	* SWITCH DGV-1122-A-16-01	1	PC.
	2		651062-7	* SWITCH TG933TNB-2	1	PC.
45			158704-9	MOTOR HOUSING COMPLETE	1	PC.
		INC.	643653-8	BRUSH HOLDER 6.5-13.5	2	PC.
		INC.	810278-5	CAUTION LABEL	1	PC.
46			266326-2	TAPPING SCREW 4X18	5	PC.

Item No.	Type	Sub	Part No.	Description	Qty	Unit
47			331719-3	PIPE 9	1	PC.
48			941201-0	FLAT WASHER 8	1	PC.
49			345930-1	LEVER PLATE	1	PC.
50			252199-9	HEX. NUT M8-13	1	PC.
51			257953-6	BOW STOP RING E-12	1	PC.
52			345929-6	REAR COVER	1	PC.
53			266326-2	TAPPING SCREW 4X18	2	PC.
55			911268-2	PAN HEAD SCREW M5X45	3	PC.
57			450705-6	FRONT GRIP	1	PC.
58			643650-4	BRUSH HOLDER CAP 6.5-13.5	2	PC.
59		1	181047-4	CARBON BRUSH CB-154 2PC/SET (W/O ORIGIN)	1	SET
		2	194986-9	CARBON BRUSH CB-154 2PC/SET (W/ ORIGIN)	1	SET
60			257953-6	BOW STOP RING E-12	1	PC.
61		1	345930-1	* LEVER PLATE	1	PC.
		2	346003-3	* LEVER PLATE	1	PC.
62		1	252199-9	* HEX. NUT M8-13	1	PC.
		2	264006-4	* HEX. NUT M8-13	1	PC.
63			941201-0	FLAT WASHER 8	1	PC.
64		1	163485-2	* ANGULAR PLATE COMPLETE	1	PC.
		2	163527-2	* ANGULAR PLATE COMPLETE	1	PC.
		3	163542-6	* ANGULAR PLATE COMPLETE	1	PC.
66			257759-2	SLEEVE 6	1	PC.
67			941101-4	FLAT WASHER 5	1	PC.
68		1	922261-1	* HEX. SOCKET HEAD BOLT M5X40	1	PC.
		2	911267-4	* PAN HEAD SCREW M5X45	1	PC.
69		1	266396-1	FLAT HEAD SQUARE NECK BOLT M8X24	1	PC.
		2	265965-5	* CAP SQUARE NECK BOLT M8X24	1	PC.
		3	266227-4	* CAP SQUARE NECK BOLT M8X28	1	PC.
70			331719-3	PIPE 9	1	PC.
71			163484-4	DEPTH GUIDE COMPLETE	1	PC.
73			266237-1	CAP SQUARE NECK BOLT M8X90	1	PC.
74			265086-3	+ COUNTERSUNK HEAD SCREW M5X8	2	PC.
75		1	345924-6	* BASE	1	PC.
		2	346747-5	* BASE	1	PC.
76			266085-8	H.S.SET SCREW(FLAT POINT)M6X10	1	PC.
77			251370-2	+ PAN HEAD SCREW M5	1	PC.
78			450704-8	DIAL 27	1	PC.
79			216008-6	STEEL BALL 4	1	PC.
80			233314-4	COMPRESSION SPRING 4	1	PC.
81			912212-2	COUNTERSUNK HEAD SCREW M5X12	4	PC.
82			251858-2	SCREW M6X15	1	PC.
83			253811-4	FLAT WASHER 5	1	PC.
84			252103-8	* HEX LOCK NUT M5-8 (Added)	1	PC.
D01			652047-6	+BIND SCREW M3.5X4.0 (F/SWITCH)	3	PC.
D02			654001-6	TERMINAL R1.25-3.5 (F/SWITCH-FIELD)	3	PC.
D03			654510-5	INSULATED CONNECTOR 5.5-SD (F/CORD-LIGHT CIRCUIT)	2	PC.
D04			654020-2	RING TERMINAL (F/FIELD)	1	PC.

ACCESSORIES

- See catalogue or visit www.makita.ca for more optional accessories -

A01			164095-8	GUIDE RULE	1	PC.
A02			A-94530-10	7-1/4: CT SAW BLADE 24T 5/8" 10/PK	1	PC.
A03			783204-6	HEX. WRENCH 6	1	PC.
A04			824772-1	PLASTIC CARRYING CASE	1	PC.
		INC.	163455-1	LATCH	2	PC.
		INC.	419360-3	HANDLE	1	PC.

SERVICE CHANGES

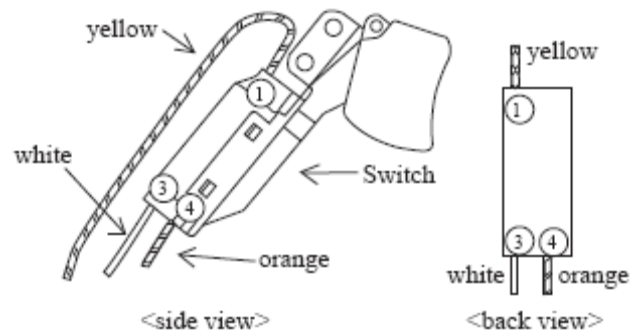
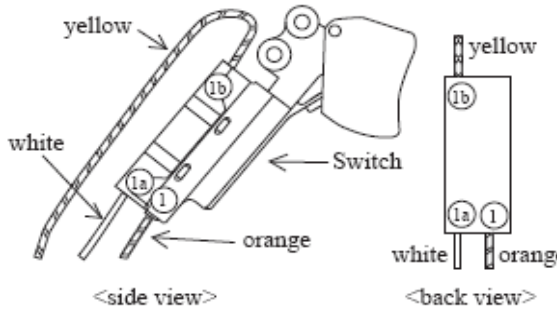
1. Changes on Switch

(T/I# 92740)

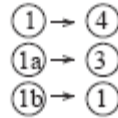
Item No.	Description	Type 1	Type 2
44	Switch	651190-8	651062-7

Type 1

Type 2



Terminal No. change:



2. Changes on Lever Plate

(T/I# 90190)

(T/I# 91344)

Item No.	Description	Type 1	Type 2	Type 3
61	Lever Plate	345930-1		346003-3
62	Hex Nut M8-13	252199-9		264006-4
69	Bolt	266396-1	265965-5	266227-4

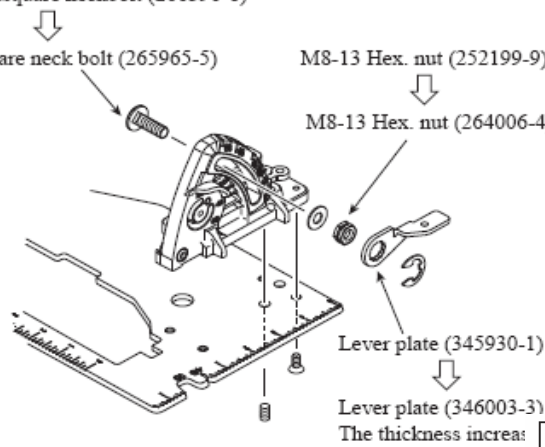
Above parts are completely interchangeable as a set.

M8x24 Flat headsquare neckbolt (266396-1)

M8x24 Cap square neck bolt (265965-5)

M8-13 Hex. nut (252199-9)

M8-13 Hex. nut (264006-4)



Lever plate (345930-1)

Lever plate (346003-3)

The thickness increas:

(T/I# 91344)

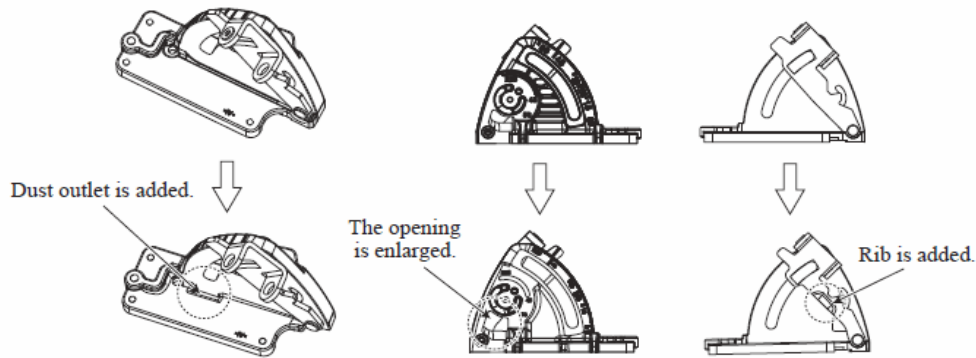
Type 2	Type 3
<p>M8x24 Cap square neck bolt (265965-5)</p>	<p>M8x28 Cap square neck bolt (266227-4)</p>

3. Changes on Angular plate complete, Safety cover, (T/I# A0672)

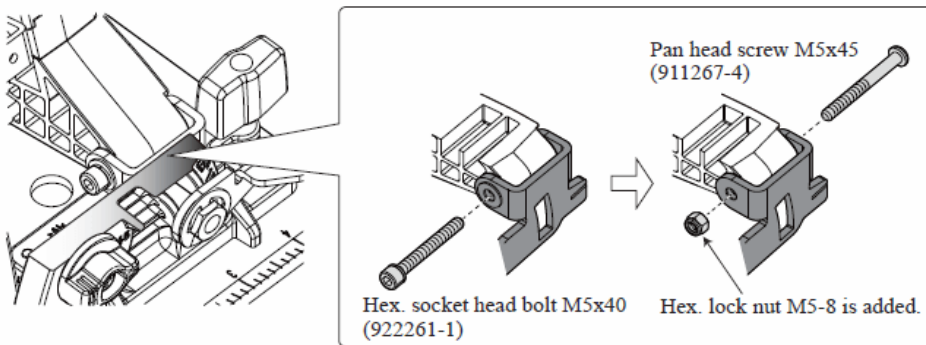
Item No.	Description	Type 1	Type 2	Images
64	Angular plate complete	163527-2	163542-6	1
84	Hex. lock nut M5-8	-----	252103-8	2,3
68	Hex. socket head bolt M5x40 >Pan head screw M5x45	922261-1	911267-4	
8	Safety cover	318057-0	318963-9	4
75	Base	345924-6	346747-5	5,6

No. 84 & 68 are interchaenable as a set

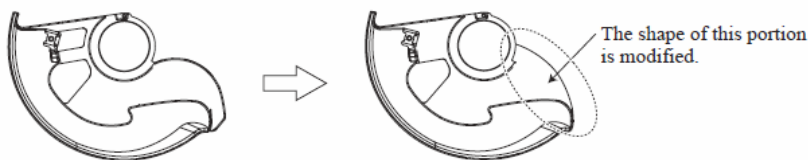
- ① Modification of Angular plate complete
 • improves the dust-blowing ability.



- ② ③ Change of the connecting method of Hinge portion
 • prevents the screw from being loosened.



- ④ Modification of Safety cover
 • improves the slide action.



⑤ ⑥ Modification of Base

- makes the machine stable in cutting operation.

