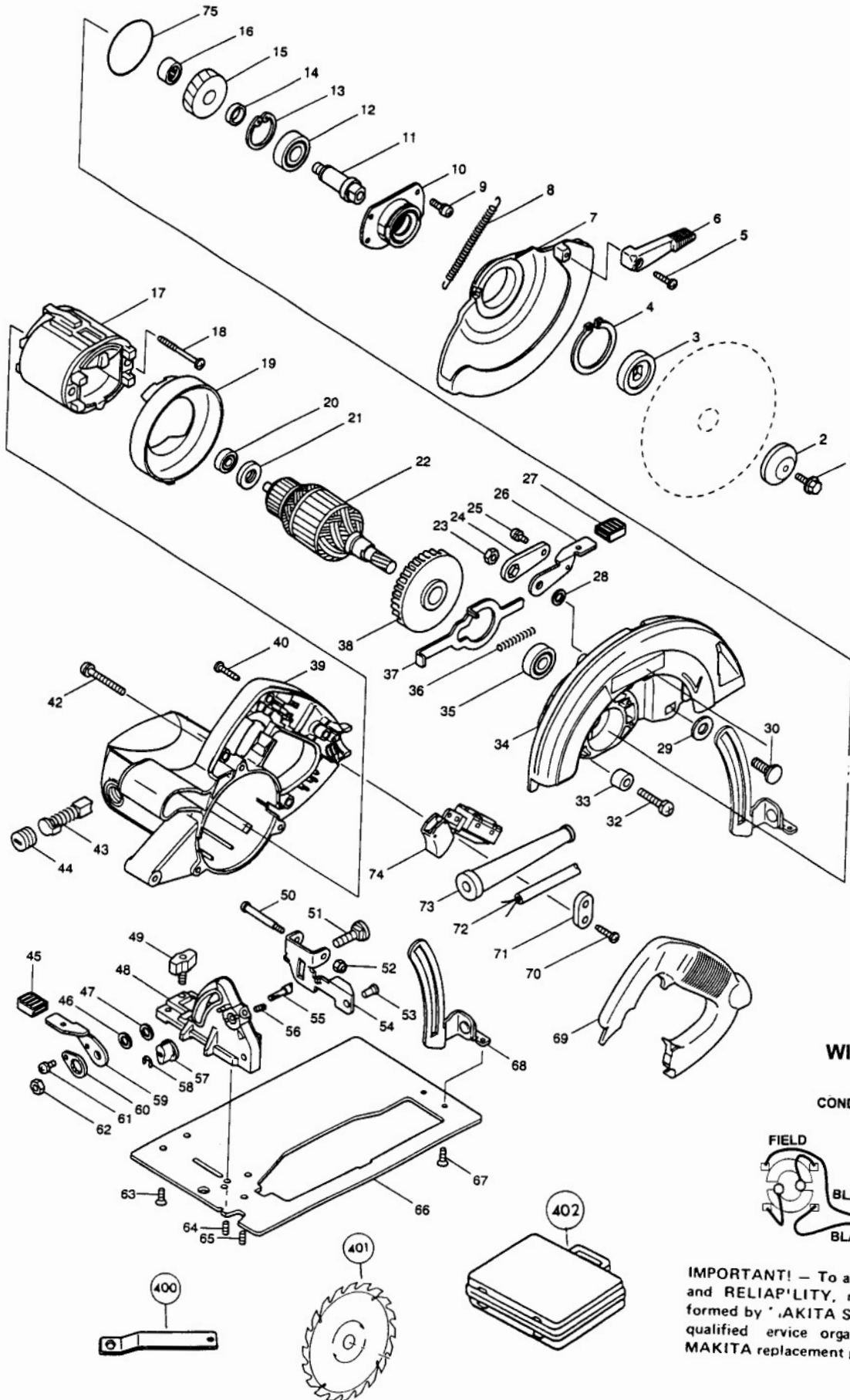


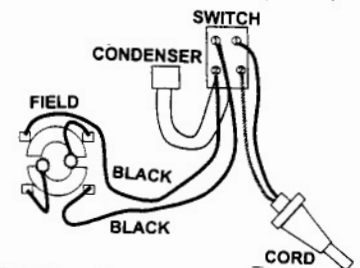


7-1/4"(185MM) CIRCULAR SAW

MODEL 5007NLK



WIRING DIAGRAM



IMPORTANT! — To assure product SAFETY and RELIABILITY, repairs should be performed by MAKITA Service Centers or other qualified service organizations. Always use MAKITA replacement parts.

