

PARTS LEGEND MODEL 5350/90 WB STRIP NAILER, 500070

▲ 1	013625	7	Socket Head Capscrew, #8-32 x 1/2"	55	091622	1	Reducing Pipe Bushing
2	401955	6	Flat Washer, #8	56	401997	1	Cup, Knob
* 3	402448	1	Air Diffuser	57	401996	1	Spring, Knob
4	402447	4	Spacer	58	401993	1	Knob Assembly
→ 5	500453	1	Bumper, Post	59	401998	1	Mounting Insert
7	500079	4	Socket Head Capscrew, 1/4-20 x 5"	* 60	402008	1	Gasket, Nose Flange
8	002187	4	Lock Washer, 1/4"	61	402005	1	Flange, Nose
9	091447	4	Flat Washer	62	006787	2	Roll Pin, 3/16" Dia. x 1" Lg.
→ 10	500072	1	Cap	62A	401697	2	Roll Pin
* 11	401983	1	Gasket, Cap	63	401988	1	Spring, Work Contacting Element
12	500407	1	Conical Spring	64	402014	1	Work Contacting Element, Lower
→ 13	406041	1	Retaining Ring	65	402094	2	Flat Washer, #10
→ * 14	500461	1	"O" Ring, Outer Cap	66	004238	1	Lock Washer, #10
→ 15	500455	1	Upper Valve Piston	▲ 67	009037	2	Socket Head Capscrew, 10/32 x 1/2"
16	401946	1	Seal, Main Valve	68	401990	1	Work Contacting Element
→ * 17	092042	1	"O" Ring, Lower Cap	69	402095	1	Nut Bar
* 18	091208	1	"O" Ring, Lower Valve Piston	70	401907	1	Nose
* 19	401950	1	"O" Ring, Lower Valve Piston	71	009016	4	Socket Head Capscrew, 5/16-18 x 1"
→ 20	500456	1	Lower Valve Piston	72	095417	4	Lock Washer, 5/16"
21	500454	1	Post	73	002442	4	Lock Washer, #8
22	095432	1	"O" Ring, Post	74	401979	1	Cover, Magazine
▲ 23	402906	1	Button Head Capscrew, #10-32 x 5/8"	75	401978	1	Spring, Upper Work Contacting Element
25	091861	1	Nut	76	401977	1	Upper Work Contacting Element
26	092116	1	Washer	77	402010	2	Washer
* 27	091863	1	"O" Ring, Piston	78	091363	3	Flexloc Thin Nut, #8-32
28	500077	1	Piston	79	403732	1	Magazine, Right and Left
29	401905	1	Driver Blade	81	401921	1	Shear Block (Including Pin), Right
30	500078	1	Seal, Sleeve	82	401975	2	Pin, Shear Block
31	500076	1	Sleeve (5325, 5300 PLUS)	83	401966	1	Follower Assembly
* 32	092762	1	"O" Ring, Sleeve	85	401920	1	Shear Block (Including Pin), Left
* 33	091024	1	"O" Ring, Sleeve	86	401965	1	Drum, Negator
34	401984	1	Flange	* 87	401964	1	Spring, Negator
34A	402993	1	Shim	88	403042	1	Cover, Spring
35	401985	1	"O" Ring, Flange	89	008731	1	Socket Head Capscrew, #1 0-24 x 3/4"
* 36	404917	1	Bumper	90	404045	1	Socket Head Capscrew, #8-32 x 1-1/8"
37	401936	1	Housing	91	403738	1	Pin, Magazine
38	404937	2	Logo, Housing	92	403739	1	Spring, Magazine Pin
39	097748	1	Spring, Valve Pin	93	023766	1	Retainer Ring
40	097746	1	Valve Pin	94	090971	1	Socket Head Capscrew, #8-32 x 7/8"
* 41	092174	1	"O" Ring, Valve Body	95	401961	1	Channel
42	401958	1	Valve Body	97	403740	1	Spacer, Magazine
43	026133	3	Roll Pin, 1/8" Dia. x 1" Lg.	98	091591	1	"O" Ring, End Plug
44	401992	1	Spring, Intermediate Work Contacting Element	99	401974	4	Screw, Wear Plate
45	401991	1	Intermediate Work Contacting Element	100	404046	1	Wear Plate Kit
46	096893	1	Name Plate	101	016343	1	Socket Head Capscrew, #8-32 x 1-1/4"
47	402079	1	Pin, Trigger	** 102	500457	1	Warning Label
48	404325	1	Stop Nut	→ 103	401980	1	Bolt Knob
50	005849	1	Roll Pin	→ 104	092775	1	"O" Ring
51	405144	1	Trigger	→ 105	402031	1	"O" Ring
52	405147	1	Lever	→ 106	405240	1	Center Insert
→ 53	500488	1	Gear Handle	→ 107	004238	2	Lock Washer #10
▲ 54	401940	1	End Plug	→ 108	013566	2	Socket Head Cap Screw 10-32 x 1-1/2"

* Denotes normal wear items

**NOTE: Make sure Warning Label (500457) is properly affixed. Replace if necessary. Label available at no charge through the Service Dept.

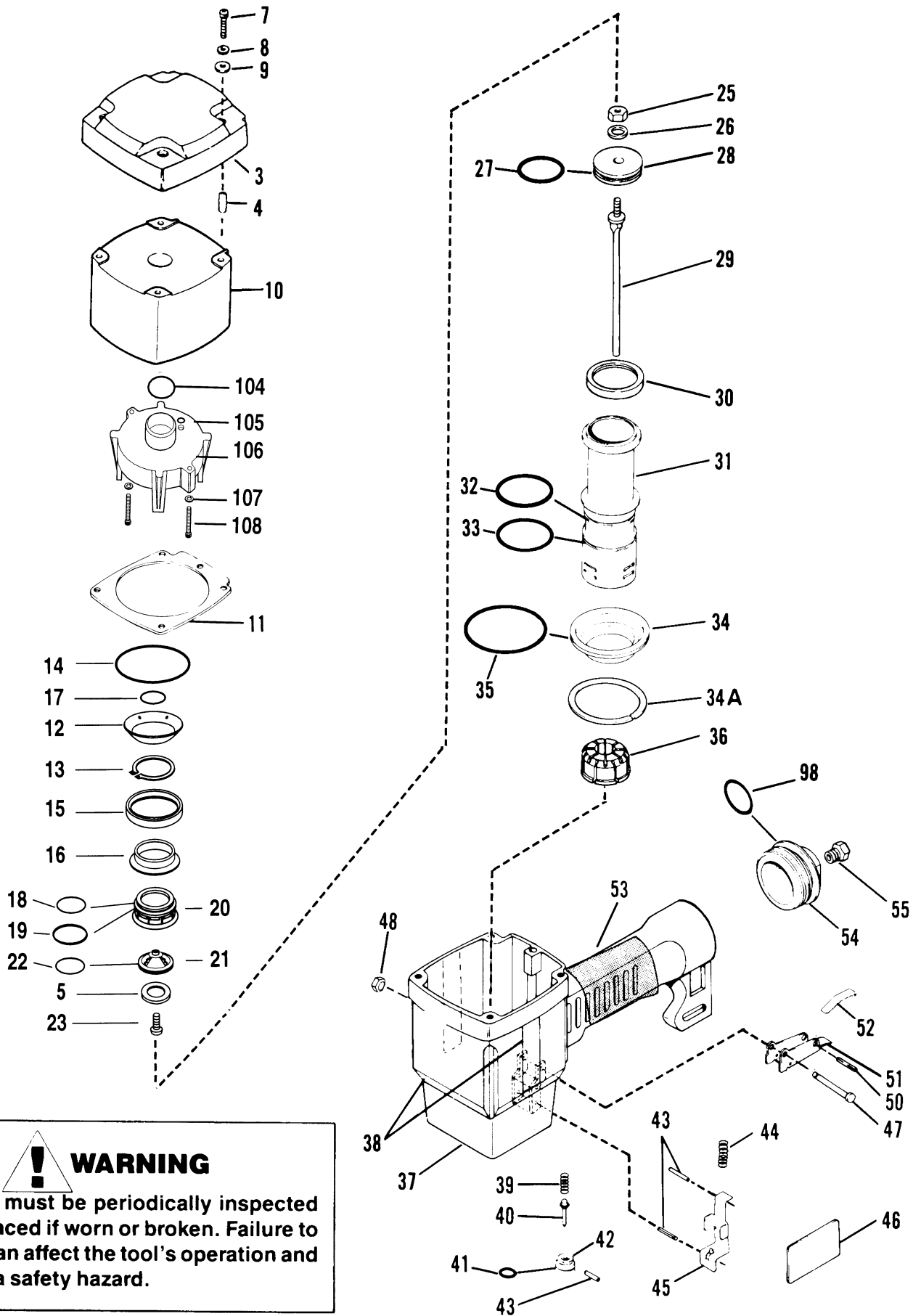
▲ Apply loctite 242 (Blue) Part No. 093500


→ Denotes new change



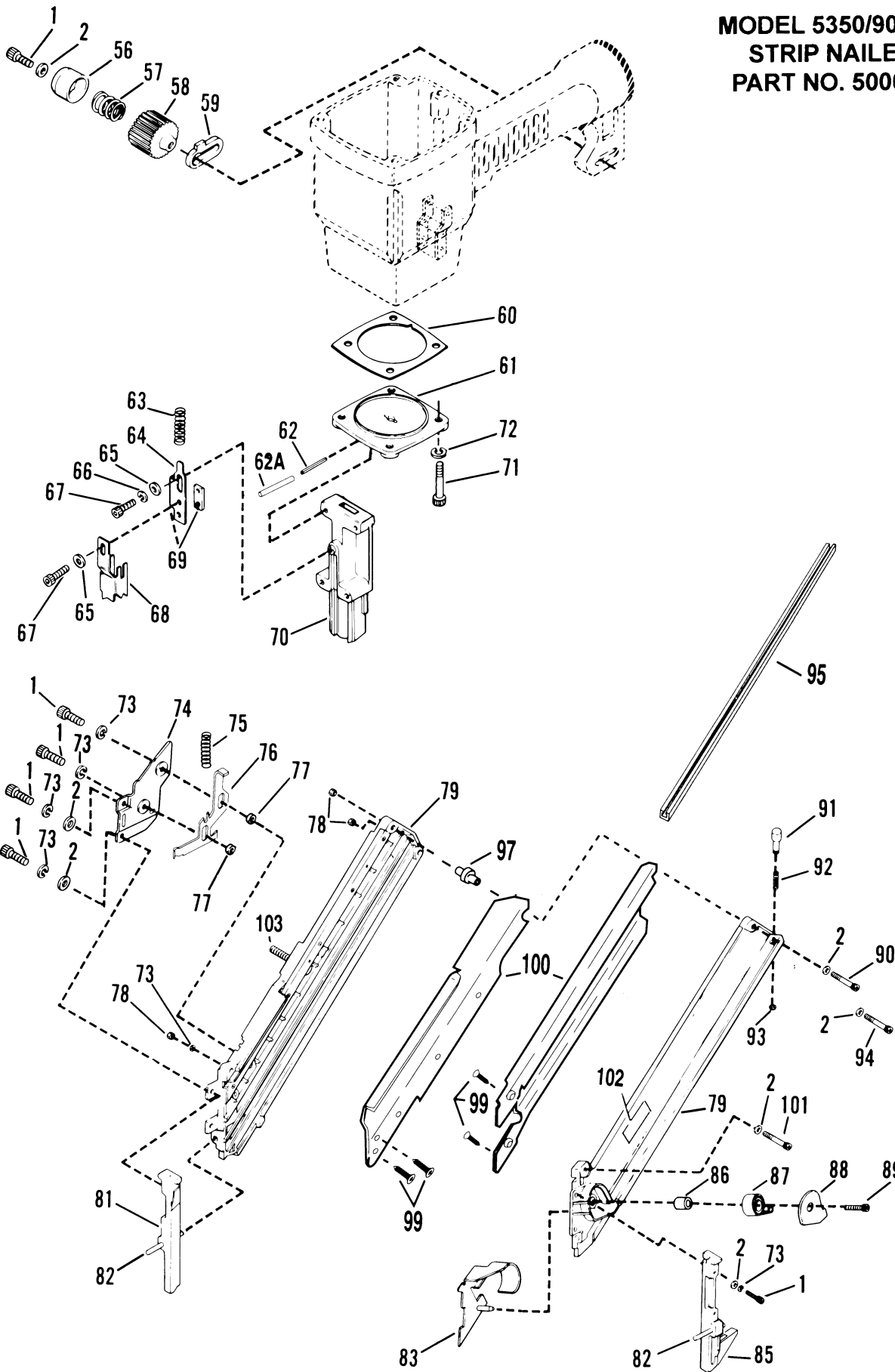
WARNING

All parts must be periodically inspected and replaced worn or broken. Failure to do this can affect the tool's operation and present a safety hazard.




WARNING
 All parts must be periodically inspected and replaced if worn or broken. Failure to do this can affect the tool's operation and present a safety hazard.

**MODEL 5350/90 WB
STRIP NAILER
PART NO. 500070**



1"
1"
net
1/4"
1/8"
1"
1/4"
1/2"
acet
ool'

PARTS OFFERED AS ASSEMBLIES

→ 402987 Valve Assembly

Includes:

13	406041	1	Retaining Ring
14	500461	1	"O" Ring, Outer Cap
15	500455	1	Upper Valve Piston
16	401946	1	Seal, Main Valve
17	092042	1	"O" Ring, Inner Cap
18	091208	1	"O" Ring
19	401950	1	"O" Ring
20	500456	1	Lower Valve Piston

402408 Trigger Assembly

Includes:

50	005849	1	Roll Pin
51	405144	1	Trigger
52	405147	1	Lever

403848 Magazine Assembly

Includes:

1	013625	6	Socket Head Capscrew
2	401955	5	Flat Washer, #8
73	002442	6	Lockwasher #8
74	401979	1	Magazine Cover
75	401978	1	Spring, Upper W.C.E.
76	401977	1	Upper Work Contacting Element
77	402010	2	Bushing
78	091363	3	Flexloc Thin Nut
79	403732	1	Magazine, Left and Right
81	401921	1	Shear Block (including Pin) Right
82	401975	2	Shear Block Pin
83	401966	1	Follower Assembly
85	401920	1	Shear Block (including Pin) Left
86	401965	1	Drum, Negator
87	401964	1	Spring, Negator
88	403042	1	Spring Cover
89	008731	1	Socket Head Capscrew #10-24 x 3/4"
90	404045	1	Socket Head Capscrew #8-32 x 1-1/8"
91	403738	1	Pin, Magazine
92	403739	1	Spring, Magazine Pin
93	023766	1	Retainer Ring
94	090971	1	Socket Head Capscrew #8-32 x 7/8"
95	401961	1	Channel
97	403740	1	Spacer, Magazine
99	401974	1	Screw, Wear Plate
100	404046	1	Wear Plate Kit
101	016343	1	Socket Head Capscrew #8-32 x 1-1/4"

SAFETY INSTRUCTIONS

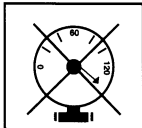
• WEAR EYE AND HEARING PROTECTION



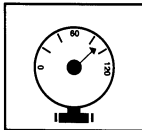
Always wear hearing protection and eye protection devices, including side shields when operating or working in the vicinity of a tool.



• DO NOT EXCEED MAXIMUM RECOMMENDED AIR PRESSURE



Operate the tool using only the recommended air pressure. Do not exceed the maximum air pressure marked on the tool. Be sure the air pressure gauge is operating properly and check it at least twice a day.



Never use any bottled air or gases such as oxygen to operate the tool since they could cause the tool to explode.

AIR CONSUMPTION CHART

