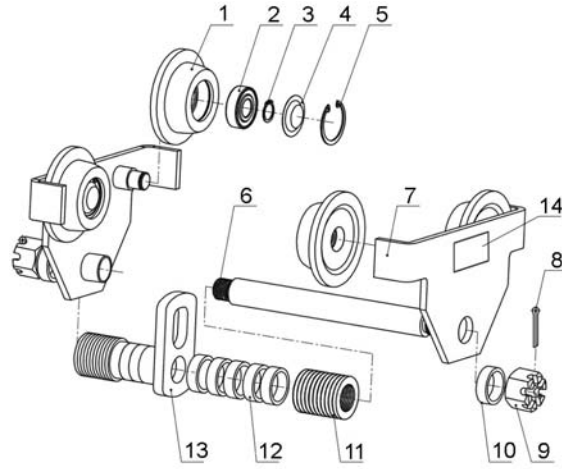


PT Series Trolley: Parts Breakdown

Index	Part No.	Description	Qty
1	1/2PT-1	Wheel (1/2 ton)	4
	1PT-1	Wheel (1 ton)	4
	1-1/2PT-1	Wheel (1-1/2 ton)	4
	2PT-1	Wheel (2 ton)	4
	3PT-1	Wheel (3 ton)	4
	5PT-1	Wheel (5 ton)	4
	10PT-1	Wheel (10 ton)	4
2	BB-6203ZZ	Bearing (1/2, 1 ton)	4
	BB-6204ZZ	Bearing (1-1/2 ton)	4
	BB-6205ZZ	Bearing (2 ton)	4
	BB-6206ZZ	Bearing (3 ton)	4
	BB-6207ZZ	Bearing (5 ton)	8
	BB-6210ZZ	Bearing (10 ton)	8
3	F006045	Snap Ring ø17mm (1/2, 1 ton)	4
	F006047	Snap Ring ø20mm (1-1/2 ton)	4
	F006050	Snap Ring ø25mm (2 ton)	4
	F006052	Snap Ring ø30mm (3 ton)	4
	F006054	Snap Ring ø35mm (5 ton)	4
	F006071	Snap Ring ø50mm (10 ton)	4
4	1/2PT-4	Shield (1/2, 1 ton)	4
	2HDT-4	Shield (1-1/2 ton)	4
	2PT-4	Shield (2 ton)	4
	3PT-4	Shield (3 ton)	4
	5HDT-4	Shield (5 ton)	4
	10PT-4	Shield (10 ton)	4
5	F006035	Snap Ring ø40mm (1/2, 1 ton)	4
	F006072	Snap Ring ø47mm (1-1/2 ton)	4
	F006073	Snap Ring ø52mm (2 ton)	4
	F006038	Snap Ring ø60mm (3 ton)	4
	PT5-5	Snap Ring ø72mm (5 ton)	4
	PT10-5	Snap Ring ø90mm (10 ton)	4
6	1/2PT-6	Shaft (1/2 ton)	1
	1PT-6	Shaft (1 ton)	1
	1-1/2PT-6	Shaft (1-1/2 ton)	1
	2PT-6	Shaft (2 ton)	1
	3PT-6	Shaft (3 ton)	1
	5PT-6	Shaft (5 ton)	1
	10PT-6	Shaft (10 ton)	1
7	1/2PT-7	Side Plate (1/2 ton)	2
	1PT-7	Side Plate (1 ton)	2
	1-1/2PT-7	Side Plate (1-1/2 ton)	2
	2PT-7	Side Plate (2 ton)	2
	3PT-7	Side Plate (3 ton)	2
	5PT-7	Side Plate (5 ton)	2
	10PT-7	Side Plate (10 ton)	2
8	1/2GBT-23	Split Pin ø4x50mm (1/2 ton)	2
	1GBT-23	Split Pin ø6x65mm (1 ton)	2
	2GBT-23	Split Pin ø6x75mm (2 ton)	2
	3GBT-23	Split Pin ø6x80mm (3 ton)	2
	5GBT-23	Split Pin ø8x80mm (5 ton)	2
	10GBT-23	Split Pin ø8x90mm (10 ton)	2



Index	Part No.	Description	Qty
9	1/2GBT-26	Nut M24 (1/2 ton)	2
	1GBT-26	Nut M30 (1, 1-1/2 ton)	2
	2GBT-26	Nut M36 (2 ton)	2
	3GBT-26	Nut M42 (3 ton)	2
	5GBT-26	Nut M42 (5 ton)	2
	10GBT-26	Nut M48 (10 ton)	2
10	5PT-10	Outer Adjusting Washer (5 ton)	2
	10PT-10	Outer Adjusting Washer (10 ton)	2
11	1/2GT-31	Adjusting Washer 8mm (1/2 ton)	18
	1GT-31	Adjusting Washer 8mm (1 ton)	10
	1-1/2PT-11	Adjusting Washer 8mm (1-1/2 ton)	16
	2GT-31	Adjusting Washer 8mm (2 ton)	16
	3GT-31	Adjusting Washer 8mm (3 ton)	16
	5GT-31	Adjusting Washer 8mm (5 ton)	16
	10GT-31	Adjusting Washer 8mm (10 ton)	16
12	1/2GT-32	Adjusting Washer 2mm (1/2 ton)	14
	1GT-32	Adjusting Washer 2mm (1 ton)	14
	1-1/2PT-12	Adjusting Washer 2mm (1-1/2 ton)	12
	2GT-32	Adjusting Washer 2mm (2 ton)	12
	3GT-32	Adjusting Washer 2mm (3 ton)	10
	5GT-32	Adjusting Washer 2mm (5 ton)	8
	10GT-32	Adjusting Washer 2mm (10 ton)	8
13	1/2GBT-29G	Hanger Plate (1/2 ton)	1
	1GBT-29G	Hanger Plate (1 ton)	1
	1-1/2PT-13G	Hanger Plate (1-1/2 ton)	1
	2GBT-29G	Hanger Plate (2 ton)	1
	3GBT-29G	Hanger Plate (3 ton)	1
	5GBT-29G	Hanger Plate (5 ton)	1
14	10GBT-29	Hanger Plate (10 ton)	1
	LM000094	Name Plate 1/2PT	1
	LM000095	Name Plate 1PT	1
	LM000096	Name Plate 1-1/2PT	1
	LM000097	Name Plate 2PT	1
	LM000098	Name Plate 3PT	1
	LM000099	Name Plate 5PT	1
LM000100	Name Plate 10PT	1	

1/2PT-SPK, Spacer Kit for 1/2 ton (includes #11 and 12)

1-1/2PT-SPK, Spacer Kit for 1 1/2 ton (includes #11 and 12)

1PT-SPK, Spacer Kit for 1 ton (includes #11 and 12)

2PT-SPK, Spacer Kit for 2 ton (includes #11 and 12)

3PT-SPK, Spacer Kit for 3 ton (includes #11 and 12)

5PT-SPK, Spacer Kit for 5 ton (includes #11 and 12)

10PT-SPK, Spacer Kit for 10 ton (includes #11 and 12)