

PART NO.	DESCRIPTION	DESCRIPCIÓN	BESCHREIBUNG	DÉSIGNATION
AC0423	MAIN BODY	CARCASA	GEHÄUSE	CORPS
AC0427	SEAL	SELLO	DICHTUNG	JOINT
AC0429	CAP (US)	TAPA	KAPPE	BOUCHON
AC0454	CAP (EU)	TAPA	KAPPE	BOUCHON
BC0669	DEFLECTOR	TAPA	KAPPE	BOUCHON
BC0671	CYLINDER	CILINDRO	ZYLINDER	CYLINDRE
BC0673	RING	ANILLO	REIFEN	ANNEAU
BC0674	BUMPER	AMORTIGUADOR	PUFFER	AMORTISSEUR
BC0675	MUFFLER	SILENCIADOR	DÄMPFER	SILENCIEUX
BC0676	SEAL	SELLO	DICHTUNG	JOINT
BC0678	GUIDE	GUÍA	FÜHRUNG	GUIDE
CC0244	PAD	AMORTIGUADOR	SCHUTZ	COUSSIN
CC0247	PLUNGER (A)	VÁLVULA	VENTIL	VALVE
CC0250	CAP	TAPA	KAPPE	BOUCHON
CC0252	VALVE HEAD	VÁLVULA	VENTIL	VALVE
CC0256	CAP	TAPA	KAPPE	BOUCHON
CC0258	PLUNGER (B)	VÁLVULA	VENTIL	VALVE
CC0262	COLLAR	CILINDRO	ZYLINDER	CYLINDRE
EA0208	PISTON ASY	ASAMBLE DE PISTON (US)	KOLBEN-ZUSAMMENBAU (US)	ENSEMBLE PISTON -COUTEAU (US)
FC0608	RETAINER	JUNTA TÓRICA	SICHERUNGSRING	RETENUE
FC0665	FEEDER	ALIMENTADOR	KLAMMERSCHIEBER	POUSSOIR
FC0675	PLATE	PLACA	PLATTE	PLAQUE
FC0679	GASKET	SELLO	DICHTUNG	JOINT
GC1166	GUIDE	CARGADOR	MAGAZIN	MAGASIN
GC1169	ANCHOR	ACOPLAMIENTO	EINSATZ	INSERT
GC1173	BRACKET	SOPORTE	HALTERUNG	CAVALIER
GC1176	LATCH	UNETA	VERSCHLUSS	DOIGT DE RETENUE
GC1177	PIN	PASADOR	STIFT	GOUPILLE
GC1181	COVER	CUBIERTA	ABDECKUNG	COUVERCLE
GC1183	MAGAZINE (B)	CARGADOR	MAGAZIN	MAGASIN
GC1187	PLATE	PLACA	PLATTE	PLAQUE
HC0560	TRIGGER	GATILLO	AUSLÖSER	GÂCHETTE
HC0562	STOP	GATILLO	AUSLÖSER	GÂCHETTE
KB6350	PIN	PASADOR	STIFT	GOUPILLE
KB6529	SCREW	TORNILLO	SCHRAUBE	VIS
KB6550	SCREW	TORNILLO	SCHRAUBE	VIS
KB6551	SCREW	TORNILLO	SCHRAUBE	VIS
KB6555	SCREW	TORNILLO	SCHRAUBE	VIS
KB6559	WASHER	ARANDELA	SCHIBE	RONDELLE
KB6560	RING	ANILLO DE RESORTE	SICHERUNGSRING	ANNEAU ÉLASTIQUE
KB6571	SPRING	RESORTE	FEDER	RESSORT
KB6572	SPRING	RESORTE	FEDER	RESSORT
KB6573	PIN	PASADOR	STIFT	GOUPILLE
KB6575	SPRING	RESORTE	FEDER	RESSORT
KB6576	SPRING	RESORTE	FEDER	RESSORT
KB6578	SPRING	RESORTE	FEDER	RESSORT
KB6649	SCREW	TORNILLO	SCHRAUBE	VIS
KB6650	SCREW	TORNILLO	SCHRAUBE	VIS
LB1160	SEAL	SELLO	DICHTUNG	JOINT
LB1165	SEAL	SELLO	DICHTUNG	JOINT
LB1166	SEAL	SELLO	DICHTUNG	JOINT
LB1167	SEAL	SELLO	DICHTUNG	JOINT
LB1171	SEAL	SELLO	DICHTUNG	JOINT
LB1172	SEAL	SELLO	DICHTUNG	JOINT
LB1174	SEAL	SELLO	DICHTUNG	JOINT
LB1175	SEAL	SELLO	DICHTUNG	JOINT
LB1201	SEAL	SELLO	DICHTUNG	JOINT

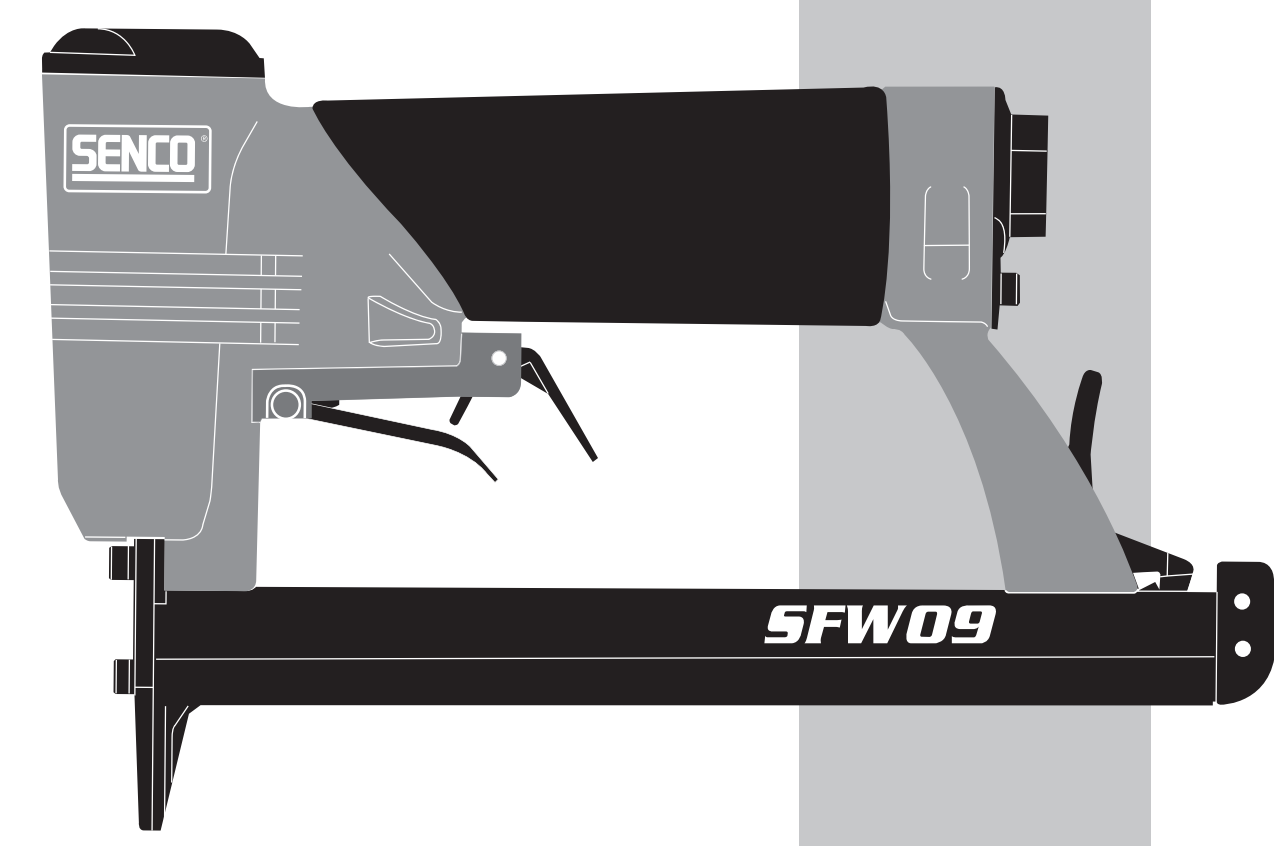
# SFW09

## C-Wire Stapler



# Parts Reference Guide

Repair Kit  
**YK0775**



\* Schematic drawings inside

Senco Products, Inc.  
8485 Broadwell Road  
Cincinnati, Ohio 45244  
Visit our Website [www.senco.com](http://www.senco.com)

Questions? Comments? call SENCO's toll-free Action-line:  
1-800-543-4596 (North & South America only)  
or e-mail: [toolprof@senco.com](mailto:toolprof@senco.com)

NFG04C-C Revised May 11, 2009 (Replaces 10/8/08) © 2009 by SENCO Products, Inc. Cincinnati, Ohio 45245 - U.S.A.

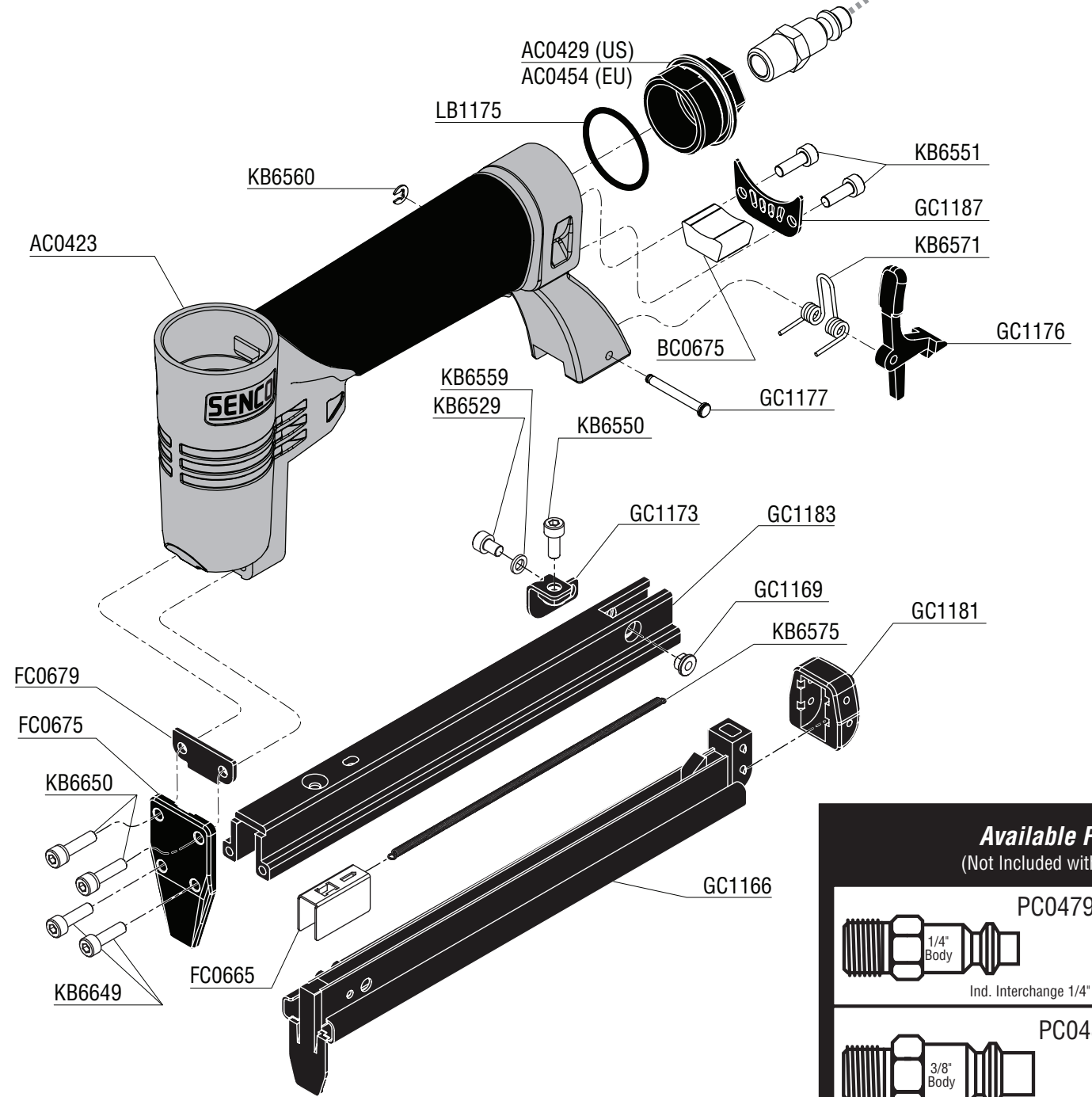
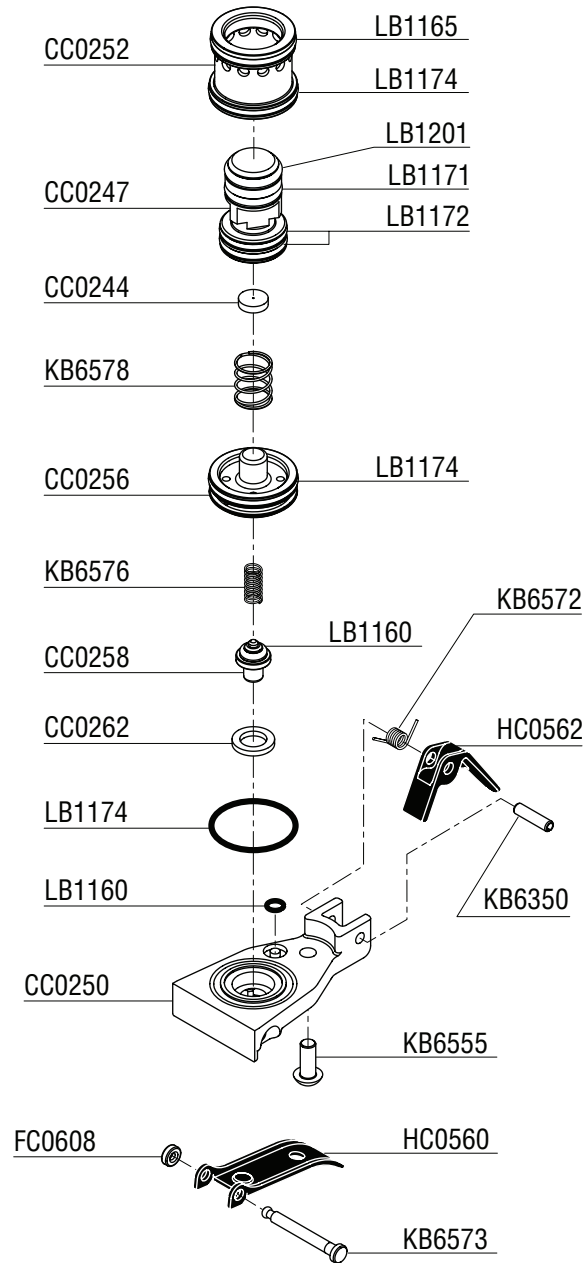
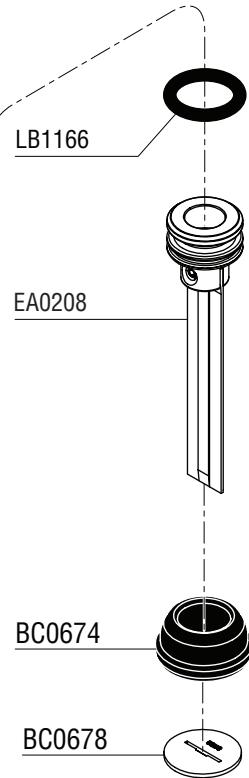
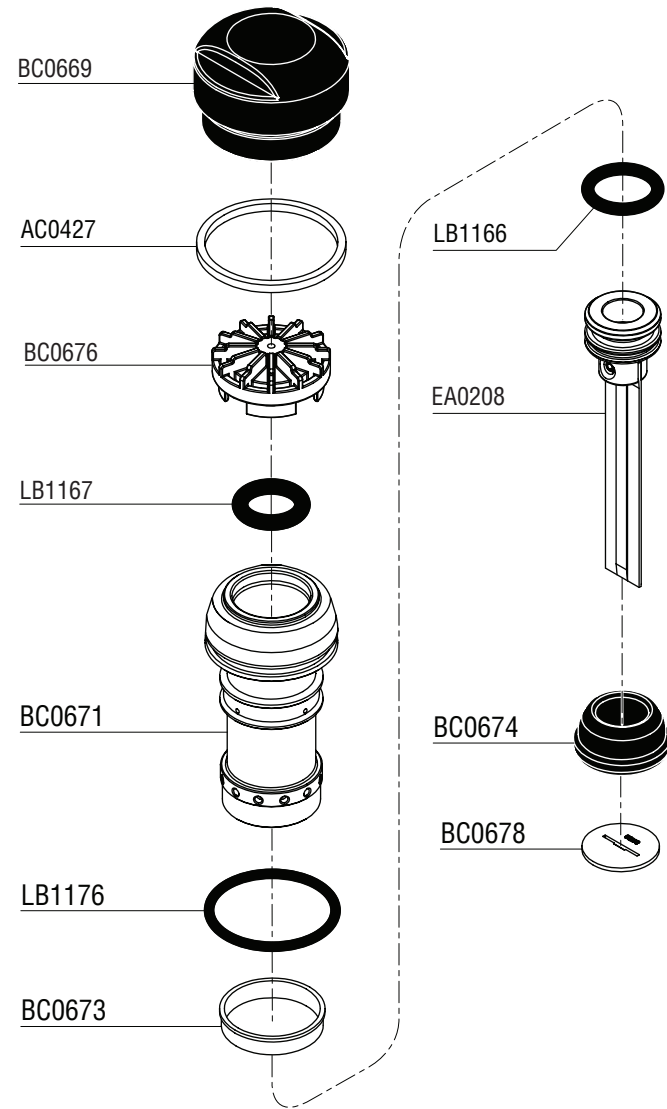
# SFW09 C-WIRE STAPLER

SENCO®

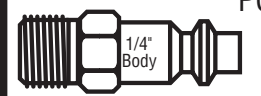

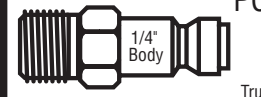
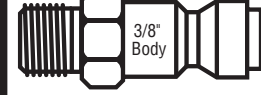
# SFW09 C-WIRE STAPLER

SENCO®

Tool #  
4C0001N C-METAL (US)  
4C2001N C-METAL (EU)



**Available Plugs**  
(Not Included with Tool)

	PC0479 ✓ 1/4" Body Ind. Interchange 1/4" NPT
	PC0486 3/8" Body Ind. Interchange 1/4" NPT
	PC0468 ✓ 1/4" Body Tru-Flate 1/4" NPT
	PC0474 3/8" Body Tru-Flate 1/4" NPT

✓ **Recommended Plugs**  
Plugs shown smaller than actual size