



SERVICE PARTS LIST

BUL. 54-22-0021

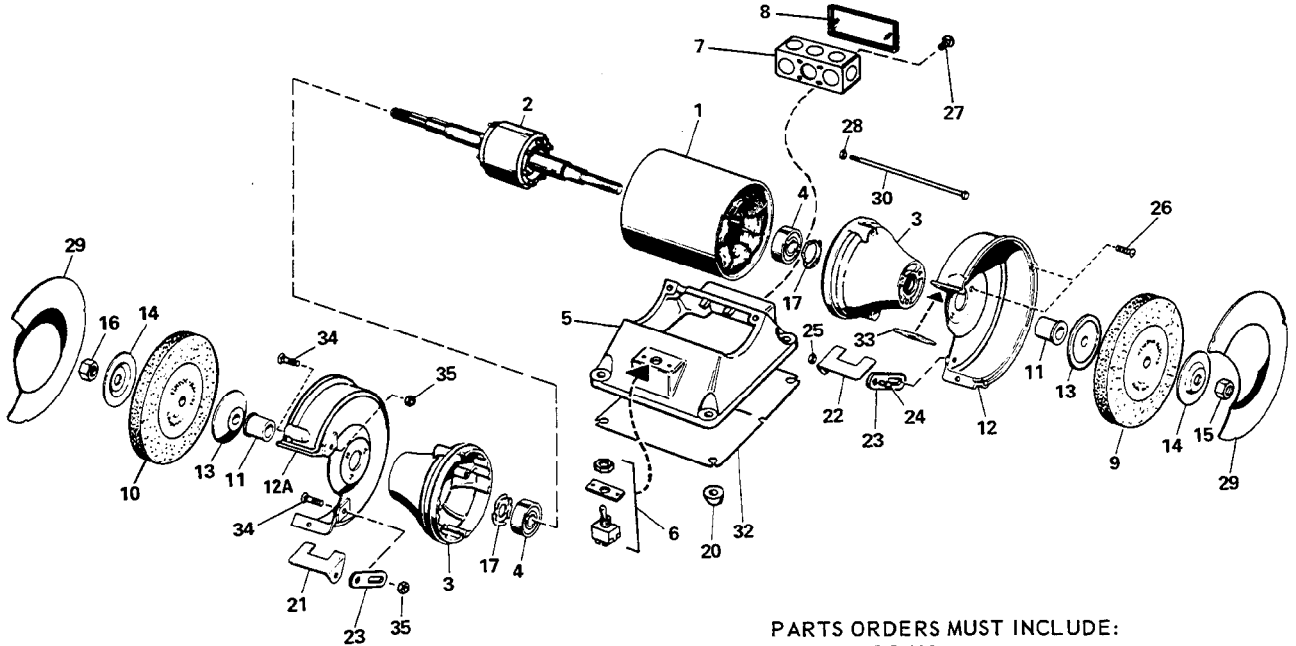
1/3 H.P. BENCH GRINDER

REVISED BUL. DATE
Aug. '72

Catalog No. 4960

MODEL REF. NO. 40137-C

WIRING INSTR.



PARTS ORDERS MUST INCLUDE:
 CATALOG NO. (FROM NAMEPLATE)
 MODEL REF. NO. (FROM NAMEPLATE)
 PART NO.
 DESCRIPTION
 QUANTITY REQUIRED

FIG.	PART NO.	DESCRIPTION OF PART	NO. REQ.	FIG.	PART NO.	DESCRIPTION OF PART	NO. REQ.
1	23-58-0280	Wound Stator with Frame	(1)	17	40-50-7675	Finger Spring	(2)
2	23-40-0240	Rotor and Shaft Assembly	(1)	20	42-38-0105	Rubber Base Bumper	(4)
3	42-25-0261	End Shield	(2)	21	44-85-0141	L.H. Tool Rest	(1)
4	02-04-5065	Bearing-Hoover 77203	(2)	22	44-85-0151	R.H. Tool Rest	(1)
5	42-20-0136	Base	(1)	23	42-36-0025	Tool Rest Support	(2)
6	23-66-0120	On-Off Switch	(1)	24	06-10-0450	1/4-20x5/8 Long. Carriage Bolt	(2)
7	22-12-0045	Conduit Box	(1)	25	06-55-1500	1/4-20 Hex. Nut	(2)
8	42-92-0225	Conduit Box Cover	(1)	26	06-81-4650	10-32x3/8 Long Rd. Hd. Screw	(12)
9	-	Grinding Wheel (See Catalog)	(1)	27	06-81-4650	10-32x3/8 Long Rd. Hd. Screw	(2)
10	-	Grinding Wheel (See Catalog)	(1)	28	06-57-6060	10-32 Whiz Nut	(2)
11	45-36-0632	Spacer Sleeve	(2)	29	42-92-0115	Wheel Guard Cover	(2)
12	43-54-0181	R.H. Wheel Guard	(1)	30	06-75-0066	10-32x8-1/2 Long thru Bolt	(2)
12A	43-54-0191	L.H. Wheel Guard	(1)	32	42-92-0045	Base Cover	(1)
13	43-34-0111	Inner Wheel Flange	(2)	33	42-12-0125	Spark Guard	(2)
14	43-34-0101	Outer Wheel Flange	(2)	34	06-10-3200	5/16-18x7/8 Long Carriage Bolt	(4)
15	06-55-3150	R.H. 1/2-20 Hex. Hd. Nut	(1)	35	06-55-1990	5/16-18 Hex. Nut	(4)
16	06-55-3175	L.H. 1/2-20 Hex. Hd. Nut	(1)				