



SERVICE PARTS LIST

BUL.54-22-0020

1/3 H.P. BENCH GRINDER

REVISED BUL
6287-1

DATE
May '68

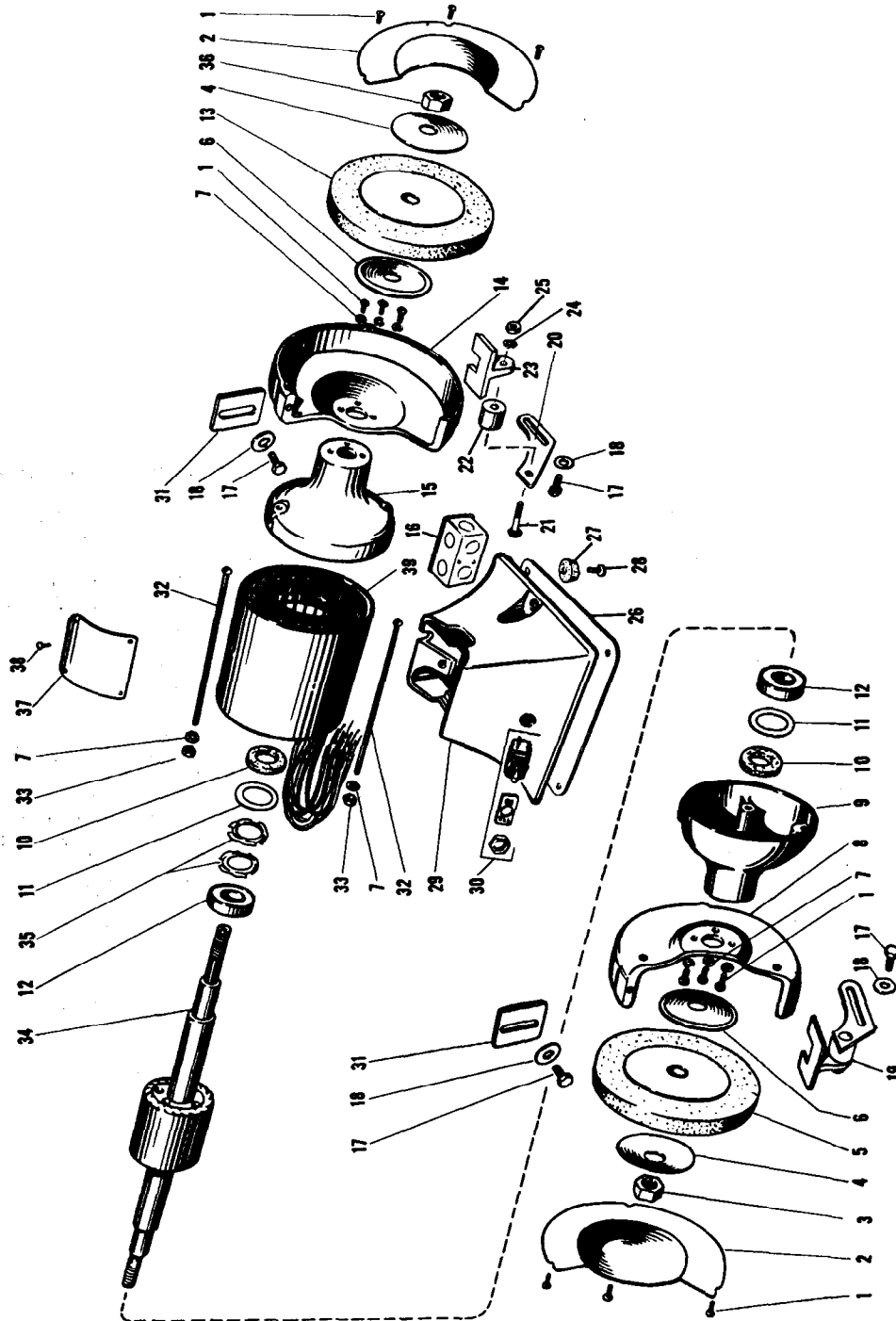
Catalog No. **4960**

MODEL
REF. NO. **40137**

WIRING INSTR.

Both Model and Serial No. must be furnished to obtain correct parts.

208/220/440 VOLT THREE PHASE





SERVICE PARTS LIST

BENCH GRINDER

When ordering replacement parts, please give complete motor identification number off name plate of tool.

ILLUSTRATED PARTS

FIG.	PART NO.	DESCRIPTION OF PART	FIG.	PART NO.	DESCRIPTION OF PART
1	06-81-4650	10-32x3/8 Rd. Hd. Mach. Screw	21	06-10-0700	1/4-20x1-3/4 Carriage Bolt
2	42-92-0210	Wheel Guard Cover	22	45-36-0560	Tool Rest Spacer
3	06-55-3175	1/2-20 Thread Hex Nut L.H.	23	44-85-0120	Tool Rest L.H. or R.H.
4	43-34-0100	Wheel Flange, outer	24	06-97-4000	1/4 Lockwasher
5	See Catalog	Grinding Wheel 6" dia. x 3/4" wd. x 1/2" hole #60 grit	25	06-55-1500	1/4-20 Thread hex nut
6	43-34-0110	Wheel Flange, inner	26	42-92-0120	Base Cover
7	06-97-3400	Lock Washer, Split 3/16 I.D. x 5/16 O.D. x 3/64	27	42-38-0110	Rubber Bumper
8	43-54-0190	Wheel Guard, L.H.	28	06-81-4652	#10-32x1/2 R.D. Hd. Mach. Screw
9	45-12-0110	Motor End Shield L.H.	29	42-20-0130	Base
10	45-88-0020	21/32 I.D. x 1-3/8 O.D. x 1/8 thk. Felt Washer	30	23-66-0640	Toggle Switch
11	45-14-0050	31/32 I.D. x 1.562 O.D. x .015 thk. Steel Washer	31	45-12-0120	Spark Shield
12	02-04-5040	Ball Bearing	32	06-75-0056	10-32x7 LG. Thru Bolt
13	See Catalog	6" dia. x 3/4" wide x 1/2" hole #36 Grit Grinding Wh.	33	06-55-1100	10-32 Hex Nut
14	43-54-0180	Wheel Guard R.H.	34	23-40-0240	Rotor Assembly
15	45-12-0110	Motor End Shield R.H.	35	40-50-0050	Bearing Loading Spring
16	22-12-0060	Cpnduit Box with Cover	★	40-50-7655	Bearing Loading Spring
17	06-75-0075	1/4-20x1/2 Hex Hd. Cap Screw	36	06-55-3150	1/2-20 Hex Nut
18	45-88-5220	5/16 I.D. x 3/4 O.D. x 1/16 thk. Steel Washer	37	12-98-0400	Motor Nameplate
19	44-85-0160	Tool Rest Assembly R.H. or L.H.	38	44-60-0290	Nameplate Pin
20	42-36-0320	Tool Rest Bracket	39	23-58-0280	Stator Assembly

MISCELLANEOUS PARTS NOT SHOWN

PART NO.	DESCRIPTION OF PART	PART NO.	DESCRIPTION OF PART
★42-92-0220	Cover	★06-75-0295	1/4-28x7/8 Cap Screw
★06-81-4566	8-32x3/8 Rd. Hd. Screw	★23-16-0400	Switch Insulator