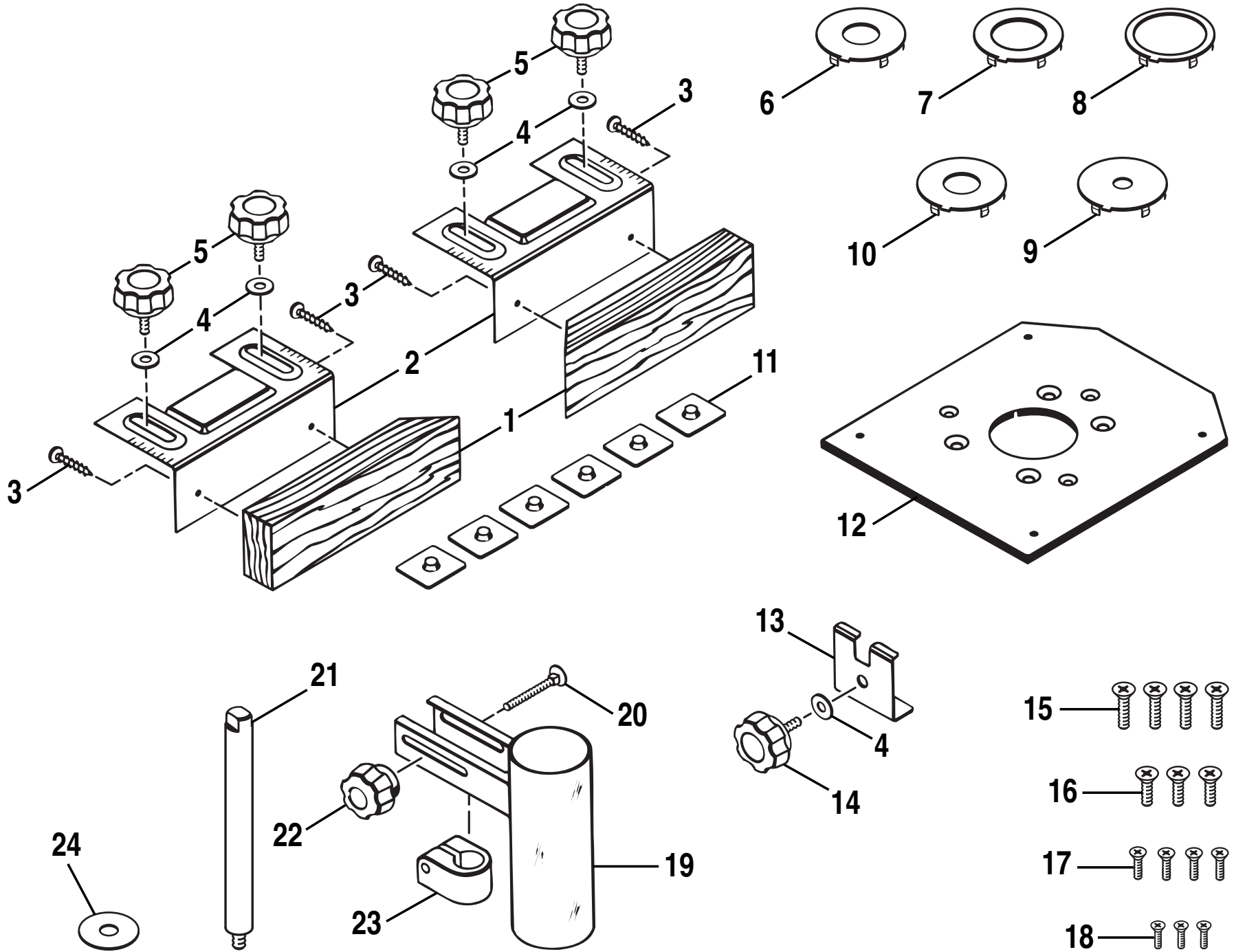


4950301 ROUTER MOUNTING KIT



4950301 ROUTER MOUNTING KIT

Now that you have purchased your **Router Mounting Kit**, should a need ever exist for repair parts or service, simply contact your nearest **Ryobi Authorized Service Center**. Be sure to provide all pertinent facts when you call or visit.

PARTS LIST

KEY NO	PART NUMBER	DESCRIPTION	QUANTITY
1	969966-001	Guide Block	2
2	969965-002	Guide Fence	2
3	969969-001	Wood Screw (#10 x 5/8 in. round head)	4
4	906382-361	5/16 in. Washer	5
5	661815-001	Knob Bolt (#5/16-18 x 1/2 in.)	4
6	975424-003	Throat Plate (1 in.)	1
7	975424-004	Throat Plate (1-1/2 in.)	1
8	975424-005	Throat Plate (2 in.)	1
9	975424-002	Throat Plate (1/2 in.)	1
10	975424-006	Throat Plate (1-1/8 in.)	1
11	969251-001	5/16 in. T-Nut (Special)	6
12	969961-003	Router Mounting Plate	1
13	661710-001	Table Clamping Bracket.....	1
14	661815-002	Knob Bolt (#5/16-18 x 3/4 in.)	1
15	982537-001	Screw (M8 x 24 mm flat head)	4
16	973605-001	Screw (#5/16-18 x 3/4 in. flat head)	3
17	622183-053	Screw (#1/4-20 x 1/2 in. flat head)	4
18	614661-001	Screw (#10-32 x 1/2 in. flat head)	3
19	969971-001	Guard/Dust Cover with Decal	1
20	621433-017	Carriage Bolt (#1/4-20 x 1-9/16 in.)	1
21	969967-002	Post	1
22	661816-001	Knob Nut (#1/4-20 x 1-3/4 in. diameter)	1
23	969972-001	Dust Cover Pivot	1
24	969968-002	Spacer	1
	983000-155	Operator's Manual	