

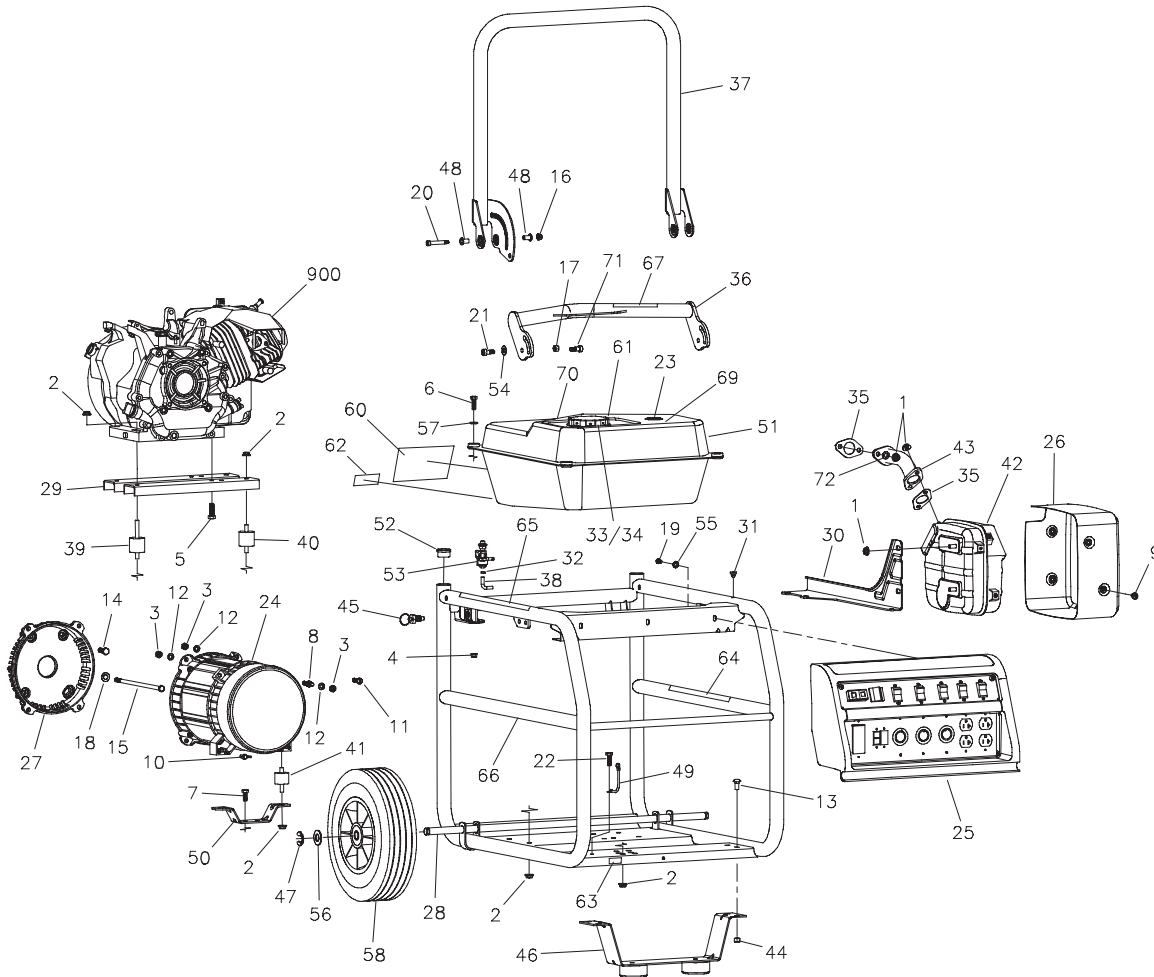


# SERVICE PARTS LIST

**BULLETIN NO.**  
**54-00-4950**

|   |         |  |                |
|---|---------|--|----------------|
| <b>SPECIFY CATALOG NO. AND SERIAL NO. WHEN ORDERING PARTS</b> |         | REVISED BULLETIN                                   | DATE           |
| <b>5000 MAX WATTS, 4500 RATED CONTINUOUS WATTS</b>            |         |  | <b>Feb '08</b> |
| CATALOG NO.   | 4950-20 | STARTING SERIAL NO.                                | REV NO. 00     |
|   |         | WIRING INSTRUCTION<br><b>See Operator's Manual</b> |                |

1 of 3 Pages



| Item | Part #    | Description                     | Item | Part #    | Description                                  |
|------|-----------|---------------------------------|------|-----------|--|
| 1    | 710090    | NUT, M8 - 1.25, Flange          | 22   | B2153GS   | SCREW, 12 - 14 x 7/8", Self Driller          |
| 2    | 67989GS   | NUT, M8 - 1.25, Flange          | 23   | 205441GS  | GAUGE, Fuel                                  |
| 3    | *         | NUT, M8 - 1.25                  | 24   | NSP       | ASSY, Alternator (see alternator view)       |
| 4    | 52858GS   | NUT, M8 - 1.25, Lock            | 25   | 206158GS  | ASSY, Control Panel (see control panel view) |
| 5    | *         | HHCS, M8 - 1.25 x 40            | 26   | 206304GS  | ENCLOSURE, Muffler                           |
| 6    | *         | HHCS, M8 - 1.25 x 25            | 27   | 190220GS  | ADAPTER, Engine                              |
| 7    | *         | HHCS, M8 - 1.25 x 20            | 28   | 191267WGS | AXLE   |
| 8    | 187117GS  | STUD, M8, Double                | 29   | B92531GS  | BRACKET, Support                             |
| 9    | 206459GS  | HHS, Trilobular, 1/4 - 20 x 1/2 | 30   | 206649GS  | BRACKET, Muffler                             |
| 10   | 86494GS   | SCREW, M6 - 1.0 x 16 Wing       | 31   | B1797GS   | CLIP, Tree                                   |
| 11   | *         | HHCS, M8 - 1.25 x 25            | 32   | 189568GS  | CLAMP, Hose                                  |
| 12   | *         | LOCKWASHER, M8                  | 33   | 205409GS  | CAP, Fuel                                    |
| 13   | 206121GS  | CARRIAGE BOLT, 5/16 - 18 x .75  | 34   | 206892GS  | STRAINER, Tank                               |
| 14   | 190274BGS | SBHCS, 3/8 - 16 x 1             | 35   | 710250    | GASKET                                       |
| 15   | 47480GS   | HHCS, 5/16 - 24 x 7             |      |           |  |
| 16   | 194005GS  | NUT, 1/4 - 20, Flange, Nylok    |      |           |  |
| 17   | 206140GS  | NUT, 5/16 - 18, Lock            |      |           |  |
| 18   | 96796GS   | WASHER, 8.4 x 22.2 x 3          |      |           |  |
| 19   | 206141GS  | BHCS, 1/4 - 20 x 1/2            |      |           |  |
| 20   | *         | SHCS, 1/4 - 20 x 2, Shoulder    |      |           |  |
| 21   | *         | SHCS, 3/8 x 5/8, Shoulder       |      |           |  |

Parts list continued on page 2

\* - Items without part numbers are common fasteners and are available at your local hardware store.

**MILWAUKEE ELECTRIC TOOL CORPORATION**  
13135 W. LISBON RD., BROOKFIELD, WI 53005  
Drwg. 4

# SERVICE PARTS LIST

**BULLETIN NO.  
54-00-4950**



| SPECIFY CATALOG NO. AND SERIAL NO. WHEN ORDERING PARTS |         |                     | REVISED BULLETIN                                   | DATE           |
|--|---------|---------------------|--|----------------|
| <b>5000 MAX WATTS, 4500 RATED CONTINUOUS WATTS</b>     |         |                     |  | <b>Feb '08</b> |
| CATALOG NO.  | 4950-20 | STARTING SERIAL NO. | REV NO. 00   |                |
|  |         |                     | WIRING INSTRUCTION<br><b>See Operator's Manual</b> |                |

2 of 3 Pages

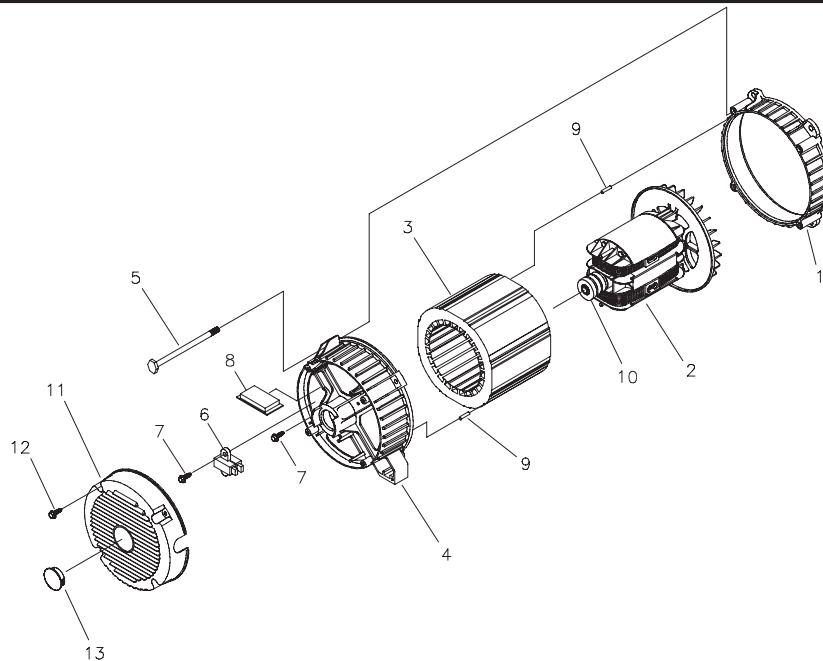
| Item | Part #    | Description   | Item | Part #    | Description                         |
|------|-----------|---|------|-----------|-------------------------------------|
| 36   | K205549GS | ASSY, Lift Bar (Includes #67)   | 60   | 94480GS   | DECAL, Instruction, Start           |
| 37   | K205545GS | HANDLE  | 61   | 205971GS  | DECAL, Instruction, Fuel Level      |
| 38   | 791745    | KIT, FUEL LINE (cut to fit)   | 62   | 205972GS  | DECAL, Fuel Shut Off                |
| 39   | 194783GS  | MOUNT, Vibration, Engine  | 63   | B4986GS   | DECAL, Ground                       |
| 40   | 194789GS  | MOUNT, Vibration, Bracket   | 64   | 205970GS  | DECAL, Hot Engine                   |
| 41   | 85652GS   | MOUNT, Vibration, Alt   | 65   | 206558GS  | DECAL, Pinchpoint                   |
| 42   | 206285GS  | MUFFLER   | 66   | K205532GS | CRADLE, (Includes #'s 63, 64 & 65)  |
| 43   | 715601    | ELBOW, Exhaust (Includes #1 & 35)   | 67   | 206557GS  | DECAL, Lift, English/Spanish/French |
| 44   | 206140GS  | NUT, 5/16 - 18, Lock  | 69   | 202997GS  | DECAL, Co Warning                   |
| 45   | 206132GS  | PIVOT PIN   | 70   | 206203GS  | DECAL, Tank, Metco                  |
| 46   | 206317GS  | ASSY, Support, Leg  | 71   | *         | SHCS, 3/8 x 1/2, Shoulder           |
| 47   | 191265GS  | E-RING  | 72   | 50190GS   | WASHER, .34 x 1 x 10                |
| 48   | 206134GS  | SPACER, Shoulder  | 900  | §         | ENGINE                              |
| 49   | 195373GS  | WIRE, Ground  |      |           |                                     |
| 50   | K205544GS | SUPPORT, Alt  |      |           |                                     |
| 51   | 205406GS  | FUEL TANK (Fuel Valve Sold Separately) (Includes #'s 23, 33, 34, 60, 61, 62, 69 & 70) |      |           |                                     |
| 52   | 189332GS  | CAP, Tube End   |      |           |                                     |
| 53   | 193272GS  | VALVE, Fuel Shut Off  |      |           |                                     |
| 54   | *         | WASHER, 3/8 - M10, Flat   |      |           |                                     |
| 55   | 71693GS   | WASHER, Fender  |      |           |                                     |
| 56   | *         | WASHER, 5/8   |      |           |                                     |
| 57   | *         | WASHER, Flat, 5/16 - M8   |      |           |                                     |
| 58   | 206040GS  | WHEEL   |      |           |                                     |

| Parts Not Illustrated |                             |  |
|-----------------------|-----------------------------|--|
| 206060GS              | MANUAL, Operator's          |  |
| BB3061BGS             | OIL BOTTLE (Qty 2 Required) |  |
| 206065GS              | DECAL, Recoil               |  |
| 206066GS              | DECAL, Air Cleaner          |  |
| 206052GS              | ARRESTOR                    |  |
| 206183GS              | HARDWARE, Wheel Kit         |  |

\* - Items without part numbers are common fasteners and are available at your local hardware store.  
§ - Contact Engine Manufacturer

## Alternator



| Item | Part #   | Description                      | Item | Part #   | Description               |
|------|----------|----------------------------------|------|----------|---------------------------|
| 1    | 186059GS | ADAPTER, Mounting, Alternator    | 8    | 189769GS | REGULATOR                 |
| 2    | 206526GS | ASSY, ROTOR                      | 9    | 81917GS  | PIN, Roll, 4mm x 10       |
| 3    | 206175GS | STATOR                           | 10   | 65791GS  | BEARING                   |
| 4    | 186060GS | RBC, (with O-Ring, p/n 189197GS) | 11   | 195422GS | COVER, RBC, Plastic w/Cap |
| 5    | 86308CGS | HHCS, M6 - 1.0 x 130 SEMS        | 12   | 191190GS | CAP                       |
| 6    | 66386GS  | ASSY, Holder, Brush              | 13   | 74908GS  | TAPTITE, M5 - 0.8 x 10    |
| 7    | 66849GS  | TAPTITE, M5 - 0.8 x 16           |      |          |                           |

# SERVICE PARTS LIST

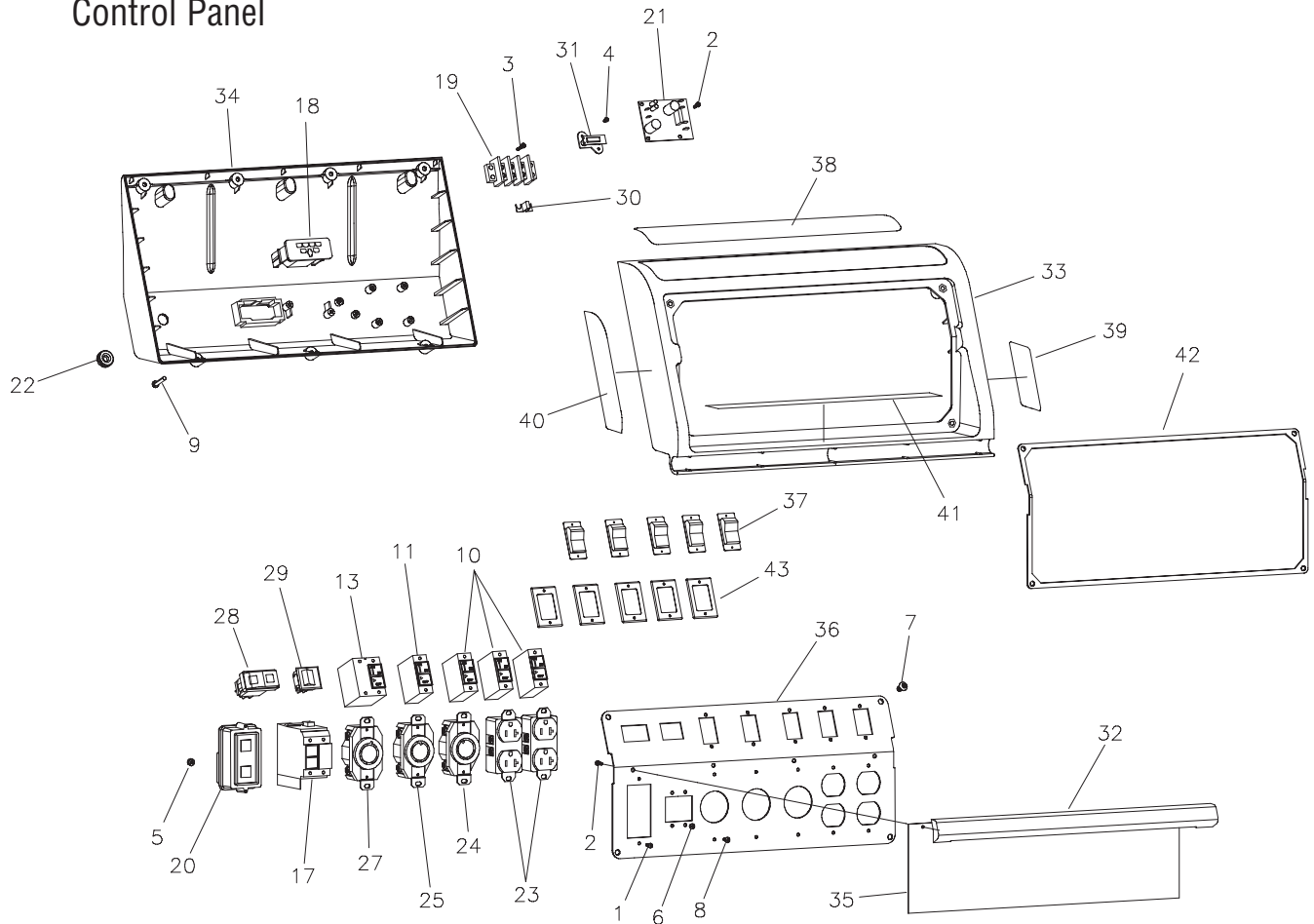
**BULLETIN NO.  
54-00-4950**



| SPECIFY CATALOG NO. AND SERIAL NO. WHEN ORDERING PARTS |         |                     | REVISED BULLETIN                                   | DATE    |
|--|---------|---------------------|--|---------|
| 5000 MAX WATTS, 4500 RATED CONTINUOUS WATTS            |         |                     |  | Feb '08 |
| CATALOG NO.  | 4950-20 | STARTING SERIAL NO. | REV NO. 00   |         |
|  |         |                     | WIRING INSTRUCTION<br><b>See Operator's Manual</b> |         |

3 of 3 Pages

## Control Panel



| Item | Part #   | Description                         | Item | Part #   | Description                                      |
|------|----------|-------------------------------------|------|----------|--|
| 1    | *        | SCREW, M3 x 10mm                    | 27   | 68867GS  | OUTLET, 120/240V, 20A                            |
| 2    | *        | SCREW, M3 0.5 x 12                  | 28   | 206463GS | SWITCH, On/Off                                   |
| 3    | *        | SCREW, M5 0.5 x 18                  | 29   | 206462GS | SWITCH, Rocker, Auto Idle                        |
| 4    | *        | SCREW, M3 x 6                       | 30   | 193095GS | JUMPER   |
| 5    | *        | NUT, #6 - 32                        | 31   | 84028GS  | TRANSFORMER                                      |
| 6    | *        | SCREW, #6 - 32 x 3/16               | 32   | 206461GS | CURTAIN ROD                                      |
| 7    | *        | SCREW, 1/4 - 20 x 1/2"              | 33   | 206505GS | PANEL, Control, Front (Includes #'s 39, 40 & 41) |
| 8    | *        | SCREW, #6 - 32 x 3/8"               | 34   | 206460GS | PANEL, Control, Back                             |
| 9    | *        | SCREW, 8 - 16 x 1, Slotted Plastite | 35   | 206465GS | CURTAIN  |
| 10   | 206473GS | BREAKER, 20A                        | 36   | 206471GS | PANEL, Control                                   |
| 11   | 206469GS | BREAKER, 30A                        | 37   | 206464GS | SEAL, Rubber, Breaker                            |
| 13   | 206507GS | BREAKER, 20A - 2 Pole               | 38   | 206204GS | DECAL, Logo                                      |
| 17   | 206510GS | CIRCUIT BREAKER, 22.5A              | 39   | 205974GS | DECAL, Warning, Exhaust                          |
| 18   | 201678GS | CONNECTOR                           | 40   | 205975GS | DECAL, Warning                                   |
| 19   | 193427GS | TERMINAL BLOCK                      | 41   | 205969GS | DECAL, Warning, English                          |
| 20   | 206506GS | MODULE, GFCI Sensing                | 42   | 206843GS | GASKET   |
| 21   | 193362GS | BOARD, Idle Control                 | 43   | 206844GS | SEAL, Breaker                                    |
| 22   | 38057GS  | GROMMET                             |      |          |  |
| 23   | 68759GS  | OUTLET, 120V, 20A, Duplex           |      |          |  |
| 24   | 74190GS  | OUTLET, 120V, 20A                   |      |          |  |
| 25   | 68868GS  | OUTLET, 120V, 30A                   |      |          |  |

\* - Items without part numbers are common fasteners and are available at your local hardware store.