



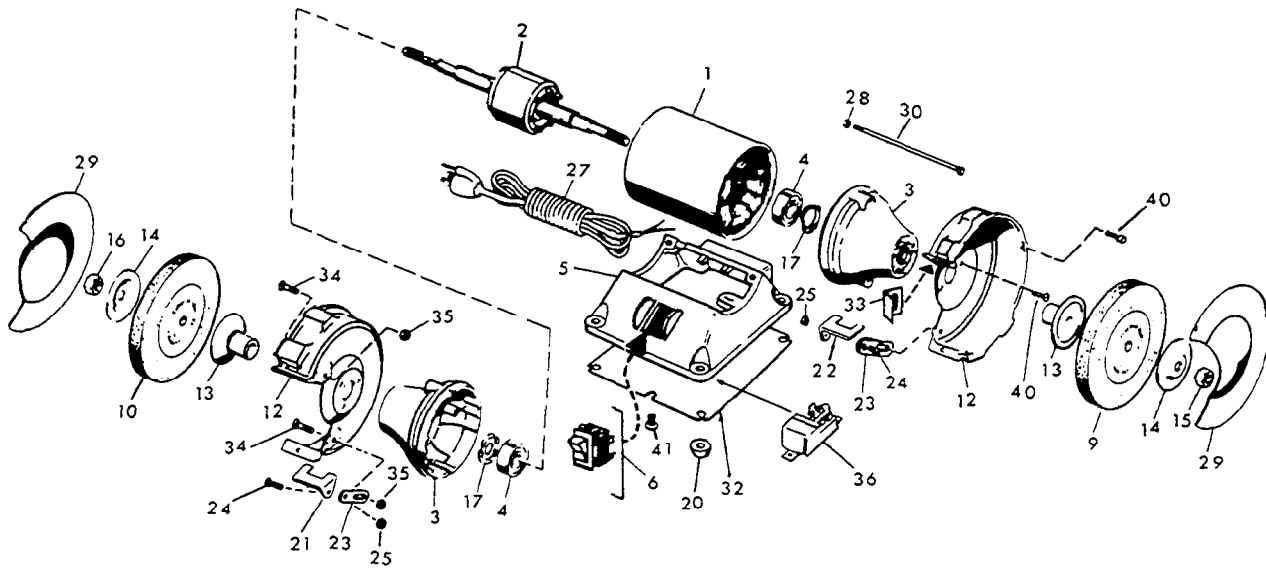
# SERVICE PARTS LIST

**BULLETIN NO.**  
54-22-1120

|                        |                       |                                  |                 |
|------------------------|-----------------------|----------------------------------|-----------------|
| 1/3 H.P. BENCH GRINDER |                       | REVISED BULLETIN                 | DATE<br>May '93 |
|                        |                       | WIRING INSTRUCTION<br>58-01-0025 |                 |
| CATALOG NO. 4921       | MOTOR REF. NO. 41906A |                                  |                 |

PARTS ORDERS MUST INCLUDE:

CATALOG NO. \_\_\_\_\_  
MOTOR REF. NO. \_\_\_\_\_ (FROM NAMEPLATE)



| FIG. | PART NO. | DESCRIPTION OF PART                 | NO. REQ. | FIG. | PART NO.   | DESCRIPTION OF PART                 | NO. REQ. |
|------|----------|-------------------------------------|----------|------|------------|-------------------------------------|----------|
|      | 1        | Wound Stator with Frame             | (1)      | 22   | 44-85-0151 | R.H. Tool Rest                      | (1)      |
|      | 2        | 23-40-0550 Rotor and Shaft Assembly | (1)      | 23   | 42-36-0025 | Tool Rest Support                   | (2)      |
|      | 3        | 42-25-2525 End Shield               | (2)      | 24   | 06-10-0450 | 1/4-20 x 5/8 Carriage Bolt          | (2)      |
|      | 4        | 02-04-1720 Bearing                  | (2)      | 25   | 06-55-1500 | 1/4-20 Hex Nut                      | (2)      |
|      | 5        | 42-20-0580 Base                     | (1)      | 27   | 22-64-2770 | Cord Set                            | (1)      |
|      | 6        | 23-66-1260 Switch                   | (1)      | 28   | 06-57-6060 | 10-32 Lock Nut                      | (2)      |
|      | 9        | Grinding Wheel                      | (1)      | 29   | 42-92-0115 | Wheel Guard Cover                   | (2)      |
|      | 10       | Grinding Wheel                      | (1)      | 30   | 06-08-0110 | Thru Bolt                           | (2)      |
|      | 12       | 43-54-0420 Wheel Guard              | (2)      | 32   | 42-92-0470 | Base Cover                          | (1)      |
|      | 13       | 43-34-0113 Inner Flange             | (2)      | 33   | 45-12-0340 | Spark Guard                         | (2)      |
|      | 14       | 43-34-0460 Outer Flange             | (2)      | 34   | 06-10-1050 | 5/16-18 x 1-1/8 Carriage Bolt       | (4)      |
|      | 15       | 06-55-3300 R.H. 5/8-18 Hex Nut      | (1)      | 35   | 06-57-5040 | 5/16-18 Hex Lock Nut                | (4)      |
|      | 16       | 06-55-3325 L.H. 5/8-18 Hex Nut      | (1)      | 36   | 23-38-0110 | Relay                               | (1)      |
|      | 17       | 40-50-7675 Finger Spring            | (2)      | 40   | 06-81-3195 | 10-32 x 1/2 Self Lock Screw         | (12)     |
|      | 20       | 42-38-0106 Base Bumper              | (4)      | 41   | 06-81-3190 | 8-32 x 3/8 Self Lock Screw          | (3)      |
|      | 21       | 44-85-0141 L.H. Tool Rest           | (1)      | 42   | 06-81-5375 | 8-32 x 1/4 Ground Screw (Not Shown) | (1)      |