



# SERVICE PARTS LIST

BUL. 54-22-0002

## 1/4 H.P. BENCH GRINDER

REVISED BUL  
652-3

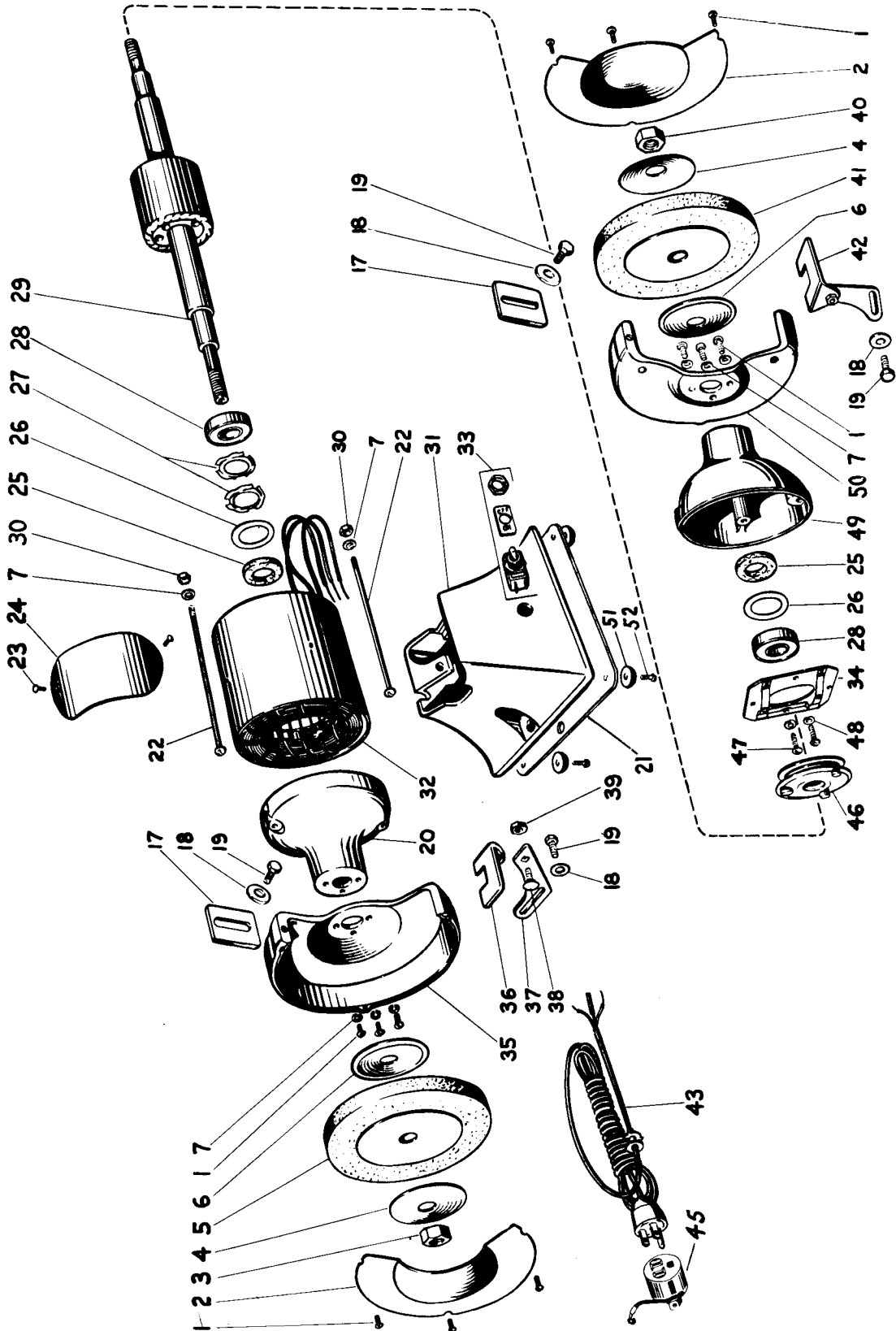
DATE  
Aug. '68

Catalog No. **4900**

Starting  
Serial No. **52-40769**

WIRING INSTR.

Both Model and Serial No. must be furnished to obtain correct parts.





# SERVICE PARTS LIST

## 1/4 H.P. BENCH GRINDER

WHEN ORDERING REPLACEMENT PARTS, PLEASE GIVE COMPLETE MOTOR IDENTIFICATION NUMBER OFF NAMEPLATE OF TOOL.

### ILLUSTRATED PARTS

FIG.	PART NO.	DESCRIPTION OF PART	FIG.	PART NO.	DESCRIPTION OF PART
1	06-81-4650	10-32x3/8 Round Hd. Screw	(12)	31	42-20-0140 Base
2	49-92-0210	Wheel Guard Cover	(2)	32	23-58-0250 Wound Stator With Frame
3	06-55-3175	1/2-20 L.H. Hex Nut		33	23-66-0630 ON-Off Switch
4	43-34-0100	Outer Wheel Flange	(2)	34	23-66-0390 Stationery Starting Switch
5	49-92-3780	Wheel, 60 Grit, Fine		35	43-54-0190 Wheel Guard L.H.
6	43-34-0110	Inner Wheel Flange	(2)	36	44-85-0140 Tool Rest L.H.
7	06-97-3400	#10 Lockwasher	(8)	37	42-36-0320 Tool Rest Support
17	45-12-0120	Spark Guard	(2)	38	06-10-0400 1/4-20x1/2 Carriage Bolt
18	45-88-5261	3/8 Flat Washer	(4)	39	06-55-1500 1/4-20 Hex Nut
19	06-81-4720	1/4-20x5/8 Cap Screw	(4)	40	06-55-3150 1/2-20 Hex Nut
20	42-25-0100	End Shield		41	49-92-3160 Wheel, 46 Grit
21	42-92-0120	Base Cover		42	44-85-0150 Tool Rest, R.H.
22	06-75-0054	10-32x6-7/8 Thru Bolt	(2)	43	22-64-0550 Cord & Plug
23	44-60-0290	Name Plate Pin	(2)	45	48-03-0010 Adaptor Plug
24	12-98-0410	Name Plate		46	23-66-0052 Rotating Switch
25	45-88-0020	Felt Washer	(2)	47	06-81-4566 8-32x3/8 Round Hd. Screw
26	45-14-0050	Shims (to total approx. .090")		48	06-97-3400 #10 Lockwasher
27	40-50-7660	Wave Spring	(2)	49	42-25-0110 End Shield
28	02-04-5040	Bearing	(2)	50	43-54-0180 Wheel Guard R.H.
29	23-40-0320	Shaft & Rotor Assembly		51	42-38-0090 Rubber Bumper
30	06-55-1100	10-32 Hex Nut	(2)	52	06-81-4652 10-32x1/2 Round Hd. Screw

### PARTS NOT SHOWN

06-81-4567 8-32x3/8 Rd. Hd. Brass Screw  
 06-97-3210 #8 Brass Lockwasher

23-16-0400 Switch Insulator