



SERVICE PARTS LIST

BUL. 54-22-0001

1/4 H.P. BENCH GRINDER

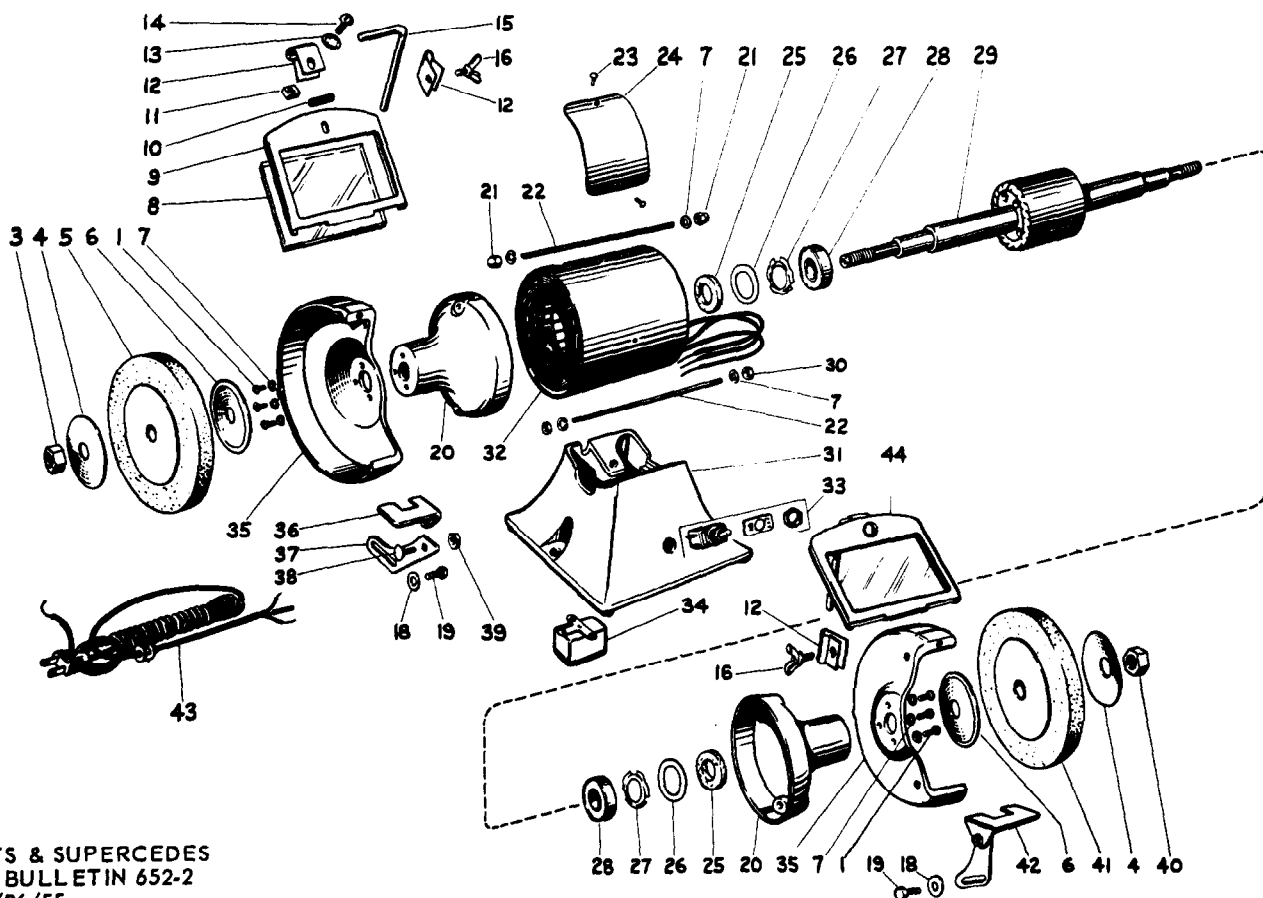
REVISED BUL 652-2 DATE FEB. '68

Catalog No. 4900

Starting Serial No. 52-3101

WIRING INSTR.

Both Model and Serial No. must be furnished to obtain correct parts.



CORRECTS & SUPERCEDES
SERVICE BULLETIN 652-2
DATED 5/26/55

FIG.	PART NO.	DESCRIPTION OF PART	FIG.	PART NO.	DESCRIPTION OF PART
1	SP-561	10-32x3/8 Rd. Hd. Screw	24	V-141	Name Plate
2	SP-558	8-32x1/4 Rd. Hd. Screw	25	45-88-0020	BG3-1 Felt Washer
3	SBG-217	1/2-20 L.H. Hex. Nut	26	45-14-0050	BG3-2 Shim Washer
4	43-34-0030	BG-7 Wheel Flange (Outer)	27	40-50-0050	BG3-3 Loading Spring
5	49-92-3180	Grinding Wheel 6x3/4x1/2 (No.60 Grit)	28	02-04-1720	ND77503 Ball Bearing
6	43-34-0020	BG-5 Wheel Flange (Inner)	29	23-40-0060	BG-6A Rotor Assembly
7	SP-1701	Lock Washer No. 10	30	43-54-0020	BG4-1 Wheel Guard R.H.
8	43-50-0020	BG8-1 Safety Shield Glass	31	42-20-0050	BG-1 Base
9	45-12-0020	BG-8 Safety Shield Frame	32	23-58-0060	BG-2A Stator
10	45-76-0020	BG8-4 Rubber Tube	33	23-66-0140	CH8381-K8 Toggle Switch
11	SP-1306	1/4-20 Square Nut	34	23-66-0051	BG-12-1 Stationary Switch
12	42-68-0020	BG8-2 Clamp	35	43-54-0030	BG-4-2 Wheel Guard L.H.
13	43-54-0030	SP-1764 Shake Proof Washer	36	44-85-0050	BG-9 Tool Rest L.H.
14	SP-503	1/4-20x5/8 Rd. Hd. Machine Screw	37	42-36-0020	BG-9-1 Tool Rest Bracket
15	44-94-0050	BG8-3 Support Rod	38	SP-862	1/4-20x3/8 Carriage Bolt
16	SP-1414	1/4-20x1/2 Wing Bolt	39	SP-1029	1/2-20 Thrd. Hex. Nut
17	SP-1726	Lock Washer No. 8	40	SP-1208	1/2-20 Thrd. Hex. Nut
18	SP-1604	5/16 I.D. x 3/4 O.D. Steel Washer	41	49-92-3160	Wheel - 6x3/4x1/2 (No. 46 Grit)
19	SP-611	1/4-20x1/2 Cap Screw	42	44-85-0060	BG-10 Tool Rest R.H.
20	42-25-0050	BG-3 End Bell	43	22-64-0020	BG-11 3 Prong Plug and Cord
21	SP-1203	10-32 Hex Nut	44	49-62-0060	ES-201 Safety Shield Assembly
22	A-1254-11	10-32 Thrd. Rd. Hd. Thru Bolt	45	23-66-0052	BG-12-2 Rotating Switch
23	SP-2261	4x1/4 Name Plate Screws(Driv-In)	46	23-36-0160	3 Prong Plug Adaptor (Not Shown)