



SERVICE PARTS LIST

BULLETIN NO.
54-06-9990

SPECIFY CATALOG NO. AND SERIAL NO. WHEN ORDERING PARTS		REVISED BULLETIN	DATE Feb. 2005
18 VOLT WORKLIGHT			
CATALOG NO. 49-24-0165	STARTING SERIAL NO.	A51A	
			WIRING INSTRUCTION SEE BELOW

EXAMPLE:

00	0
----	---

 Component Parts (Small #) Are Included When Ordering The Assembly (Large #).

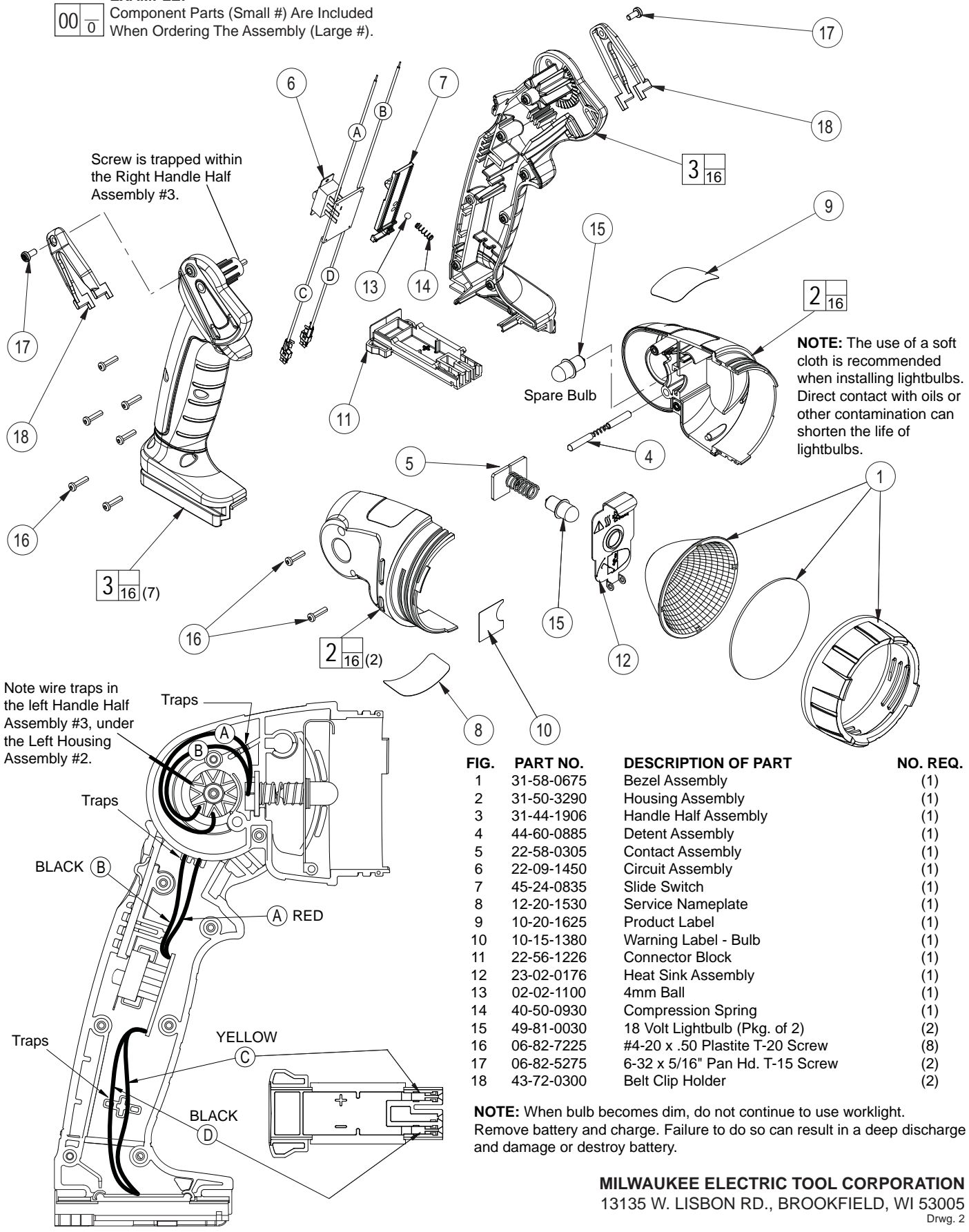


FIG.	PART NO.	DESCRIPTION OF PART	NO. REQ.
1	31-58-0675	Bezel Assembly	(1)
2	31-50-3290	Housing Assembly	(1)
3	31-44-1906	Handle Half Assembly	(1)
4	44-60-0885	Detent Assembly	(1)
5	22-58-0305	Contact Assembly	(1)
6	22-09-1450	Circuit Assembly	(1)
7	45-24-0835	Slide Switch	(1)
8	12-20-1530	Service Nameplate	(1)
9	10-20-1625	Product Label	(1)
10	10-15-1380	Warning Label - Bulb	(1)
11	22-56-1226	Connector Block	(1)
12	23-02-0176	Heat Sink Assembly	(1)
13	02-02-1100	4mm Ball	(1)
14	40-50-0930	Compression Spring	(1)
15	49-81-0030	18 Volt Lightbulb (Pkg. of 2)	(2)
16	06-82-7225	#4-20 x .50 Plastite T-20 Screw	(8)
17	06-82-5275	6-32 x 5/16" Pan Hd. T-15 Screw	(2)
18	43-72-0300	Belt Clip Holder	(2)

NOTE: When bulb becomes dim, do not continue to use worklight. Remove battery and charge. Failure to do so can result in a deep discharge and damage or destroy battery.