



# SERVICE PARTS LIST

**BULLETIN NO.**  
**54-06-9985**

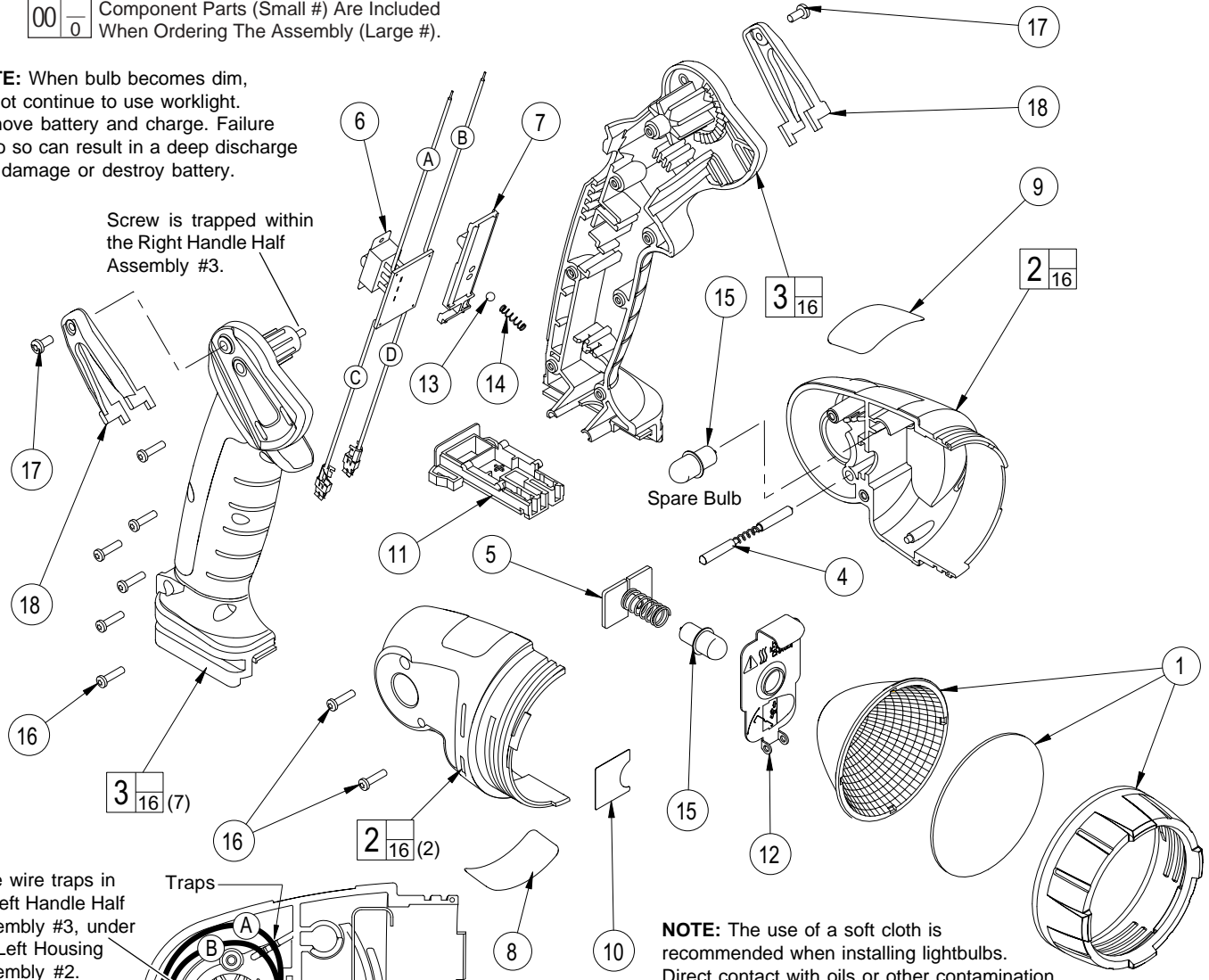
SPECIFY CATALOG NO. AND SERIAL NO. WHEN ORDERING PARTS		REVISED BULLETIN	DATE
<b>12/14.4 VOLT WORKLIGHT</b>			Feb. 2005
CATALOG NO. <b>49-24-0155</b>	STARTING SERIAL NO.	<b>A45A</b>	
		WIRING INSTRUCTION <b>SEE BELOW</b>	

**EXAMPLE:**  

00	0
----	---

 Component Parts (Small #) Are Included When Ordering The Assembly (Large #).

**NOTE:** When bulb becomes dim, do not continue to use worklight. Remove battery and charge. Failure to do so can result in a deep discharge and damage or destroy battery.



**NOTE:** The use of a soft cloth is recommended when installing lightbulbs. Direct contact with oils or other contamination can shorten the life of lightbulbs.

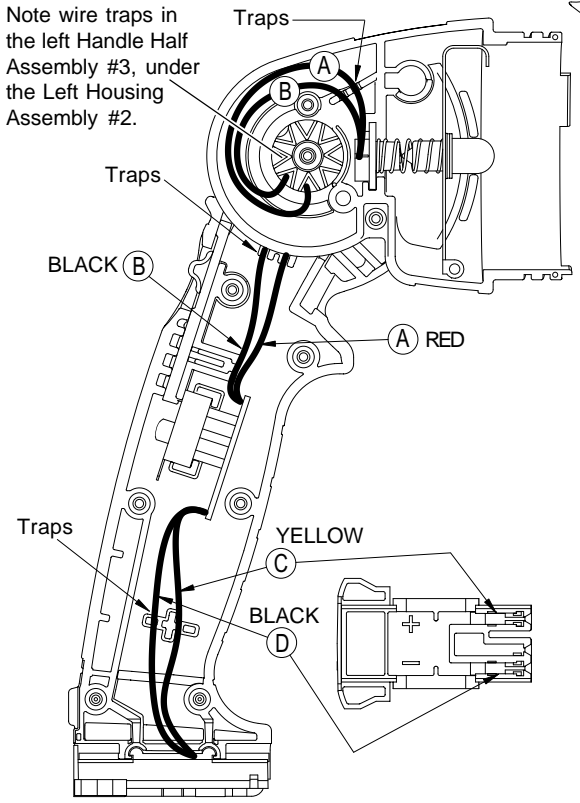


FIG.	PART NO.	DESCRIPTION OF PART	NO. REQ.
1	31-58-0675	Bezel Assembly	(1)
2	31-50-3290	Housing Assembly	(1)
3	31-44-1996	Handle Half Assembly	(1)
4	44-60-0885	Detent Assembly	(1)
5	22-58-0305	Contact Assembly	(1)
6	22-09-1450	Circuit Assembly	(1)
7	45-24-0835	Slide Switch	(1)
8	12-20-1520	Service Nameplate	(1)
9	10-20-1625	Product Label	(1)
10	10-15-1350	Warning Label - Bulb	(1)
11	22-56-0270	Connector Block	(1)
12	23-02-0176	Heat Sink Assembly	(1)
13	02-02-1100	4mm Ball	(1)
14	40-50-0930	Compression Spring	(1)
15	49-81-0020	12/14.4 Volt Lightbulb (Pkg. of 2)	(2)
16	06-82-7225	#4-20 x .50 Plastite T-20 Screw	(8)
17	06-82-5275	6-32 x 5/16" Pan Hd. T-15 Screw	(2)
18	43-72-0300	Belt Clip Holder	(2)