



# SERVICE PARTS LIST

BULLETIN NO.  
54-04-7020

SPECIFY CATALOG NO. AND SERIAL NO. WHEN ORDERING PARTS			REVISED BULLETIN	DATE
MULTI-VOLT CHARGER				Dec. 2006
CATALOG NO.	48-59-2818	SERIAL NUMBER	WIRING INSTRUCTION	
		A96A A96B		

**EXAMPLE:**  
Component Parts (Small #)  
Are Included When Ordering  
The Assembly (Large #).

00  
0

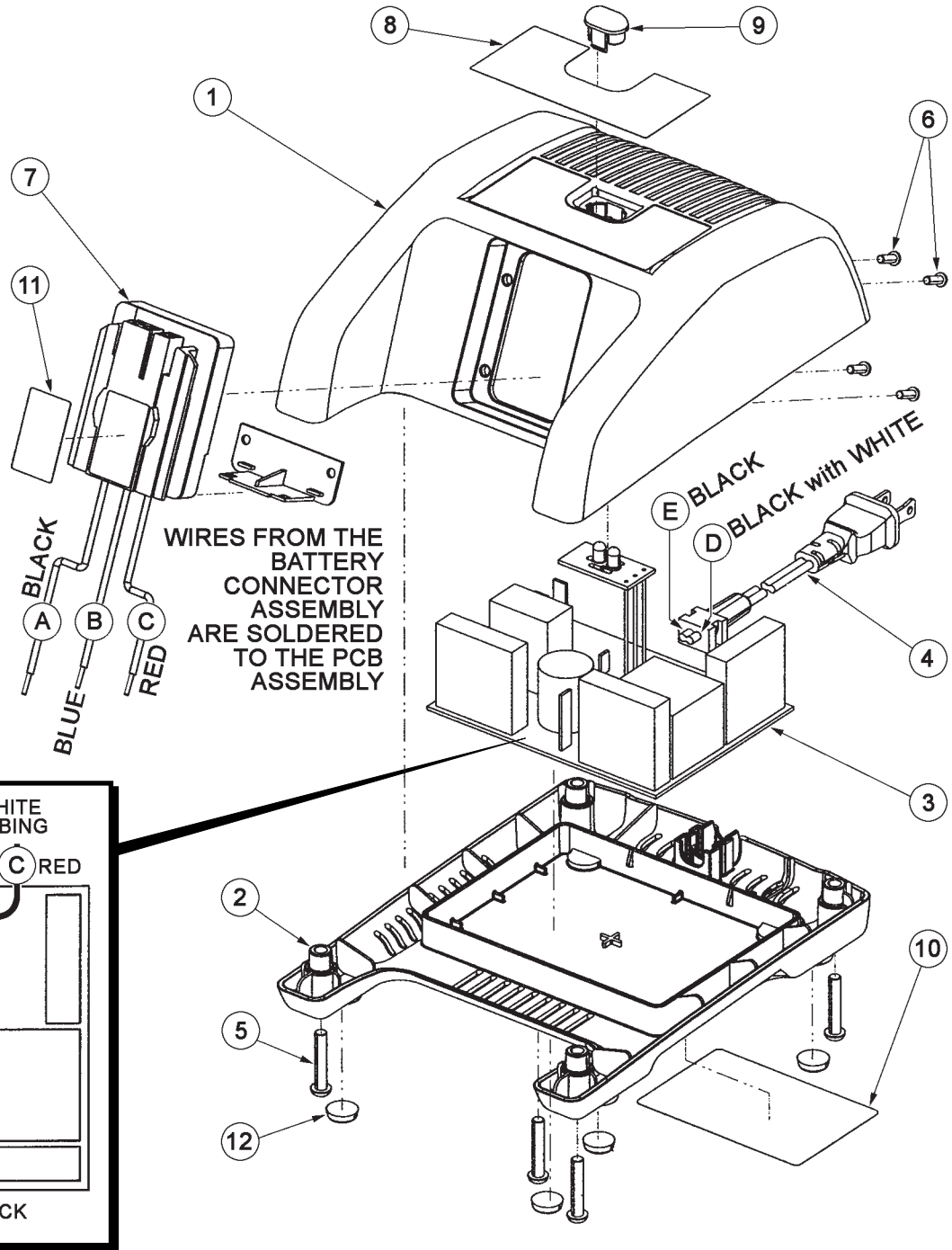


FIG.	PART NO.	DESCRIPTION OF PART	NO. REQ.
1	-----	Top Housing	(1)
2	-----	Bottom Housing	(1)
3	-----	PCB Assembly	(1)
4	22-64-1150	Cordset	(1)
5	-----	Screw	(4)
6	-----	Screw	(4)
7	-----	Battery Connector Assembly	(1)
8	-----	Logo Label	(1)
9	-----	LED Lens	(1)
10	12-20-1705	Service Nameplate	(1)
★ 11	10-20-0895	Warning Label	(1)
12	-----	Rubber Bumpers	(4)

FIG.	NOTES
3,4	Cord set terminals are to be fully seated on mating terminals of printed circuit board assembly and perpendicular to printed circuit board surface.
2,4	Cord set to be free from conductor twists and cord crossover prior to installation of strain relief into bottom housing.