



SERVICE PARTS LIST

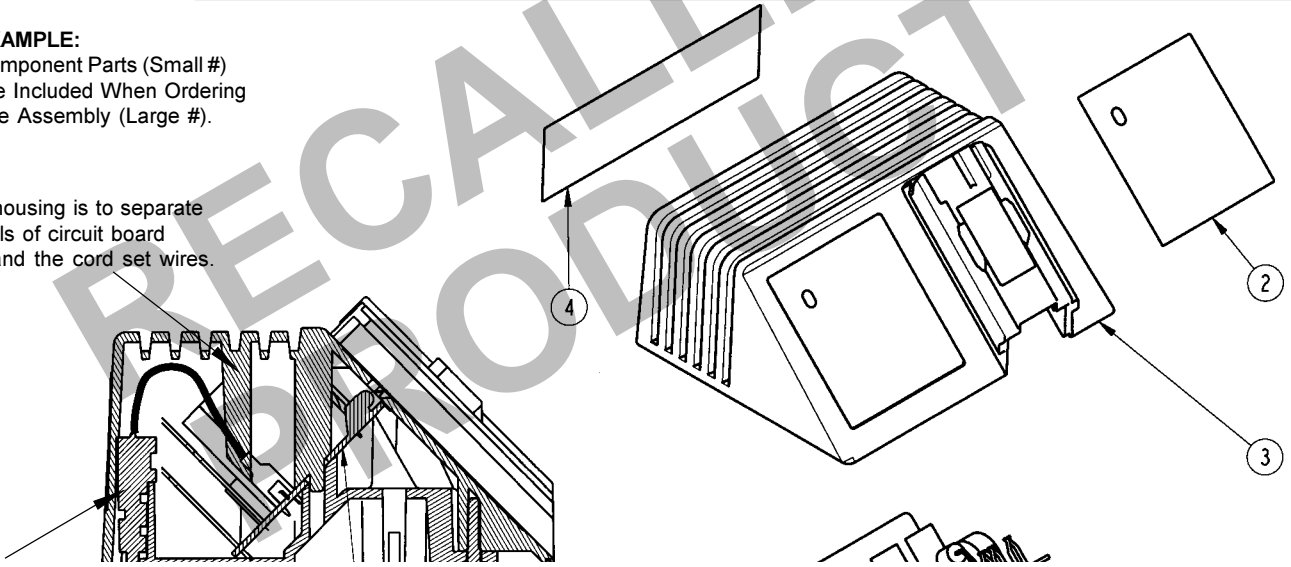
BULLETIN NO.
54-04-0350

SPECIFY CATALOG NO. AND SERIAL NO. WHEN ORDERING PARTS		REVISED BULLETIN	DATE
AUTOMOTIVE CHARGER			July 2002
CATALOG NO. 48-59-0184	SERIAL NUMBER	909A	
WIRING INSTRUCTION			

00 0

EXAMPLE:
Component Parts (Small #)
Are Included When Ordering
The Assembly (Large #).

Rib of top housing is to separate
the terminals of circuit board
assembly and the cord set wires.



Inse
as :
flat
relie
aga
wall
hou

Milwaukee is providing a no-charge warranty service to owners of **48-59-0184 Power-Plus 9.6V-18V Automotive Charger**. A 48-59-0184 Automotive Charger can overheat, posing a fire hazard that could result in injury or property damage.

Please return your 48-59-0184 Power-Plus 9.6V-18V Automotive Charger to the nearest Milwaukee **factory** Service Center or Authorized Service Station for no-charge warranty replacement of the charger.

If you need assistance in locating the service facility nearest you or have questions please call 1.800.729.3878.

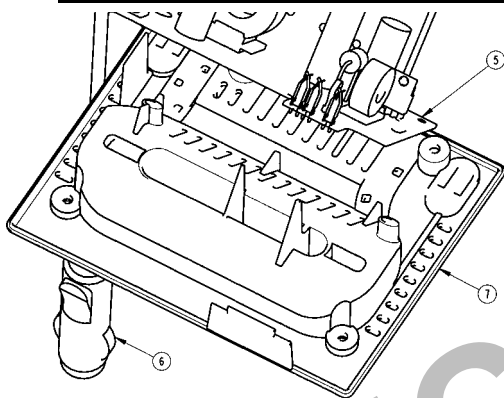


FIG.	PART NO.	DESCRIPTION OF PART	NO. REQ.
1	-----	6-32 x 11/16" Pan Hd. Slit. PT T-10	(4)
2	-----	Logo Label	(1)
3	-----	Top Housing	(1)
4	-----	Nameplate	(1)
5	-----	Circuit Board Assembly	(1)
6	22-64-0295	Cordset Assembly	(1)
7	-----	Bottom Housing	(1)

- FIG. NOTES**
- 3,5 Fully seat circuit board assembly into top housing, aligning the bosses.
 - 3,5 Circuit board battery clips are to be fully inserted into battery port of top housing.
 - 5,6 Cord set terminals are to be fully seated on mating terminals of printed circuit board assembly and perpendicular to printed circuit board surface.
 - 3,6 Cord set to be free from conductor twists and cord crossover prior to installation of strain relief into top housing.

IMPORTANT RECALL NOTICE:

THIS PRODUCT POSES RISK OF FIRE HAZARD. STOP USING IMMEDIATELY! CONTACT CUSTOMER SERVICE AT 1.800.729.3878 FOR REPLACEMENT INFORMATION.

MILWAUKEE ELECTRIC TOOL CORPORATION
13135 W. LISBON RD., BROOKFIELD, WI 53005