

# SERVICE PARTS LIST

**BULLETIN NO.**  
**54-04-0040**

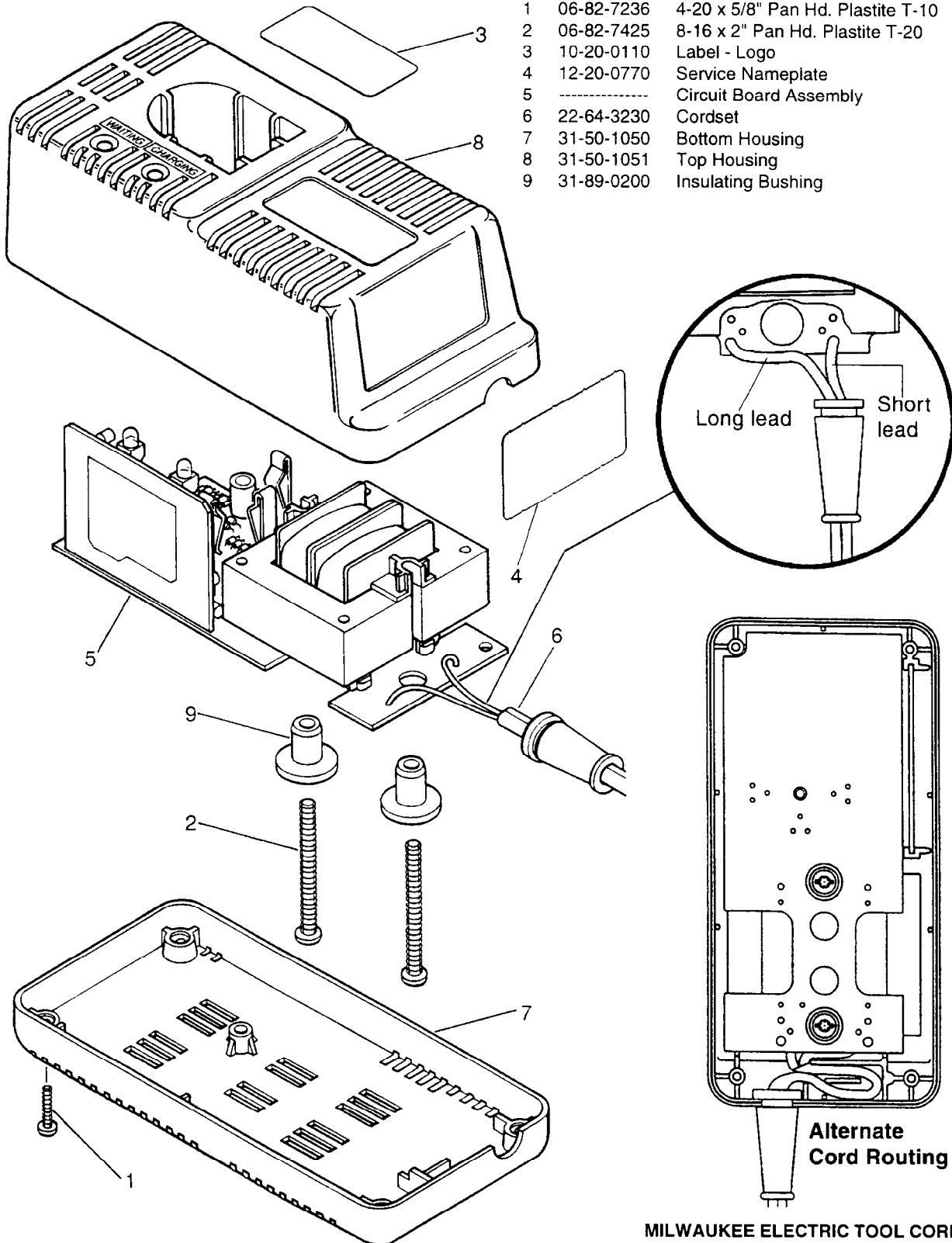
SPECIFY CATALOG NO. AND SERIAL NO. WHEN ORDERING PARTS		REVISED BULLETIN	DATE
<b>120 VOLT MULTI-VOLTAGE CHARGER</b>			Mar. '98
<b>CATALOG NO. 48-59-0170</b>	<b>SERIAL NUMBER 826A &amp; 826B</b>	WIRING INSTRUCTION <b>SEE BELOW</b>	

**EXAMPLE:**  

00	0
----	---

 Component Parts (Small #) Are Included  
 When Ordering The Assembly (Large #).

FIG.	PART NO.	DESCRIPTION OF PART	NO. REQ.
1	06-82-7236	4-20 x 5/8" Pan Hd. Plastite T-10	(4)
2	06-82-7425	8-16 x 2" Pan Hd. Plastite T-20	(2)
3	10-20-0110	Label - Logo	(1)
4	12-20-0770	Service Nameplate	(1)
5	-----	Circuit Board Assembly	(1)
6	22-64-3230	Cordset	(1)
7	31-50-1050	Bottom Housing	(1)
8	31-50-1051	Top Housing	(1)
9	31-89-0200	Insulating Bushing	(2)



**MILWAUKEE ELECTRIC TOOL CORPORATION**  
 13135 W. LISBON RD., BROOKFIELD, WI 53005  
 Drwg. 2