



SERVICE PARTS LIST

BULLETIN NO.
54-04-1800

SPECIFY CATALOG NO. AND SERIAL NO. WHEN ORDERING PARTS			REVISED BULLETIN	DATE
18 VOLT BATTERY				Aug. 2007
CATALOG NO.	48-11-1815	SERIAL NUMBER	B22A	
			WIRING INSTRUCTION	

EXAMPLE:

00	0
----	---

Component Parts (Small #)
Are Included When Ordering
The Assembly (Large #).

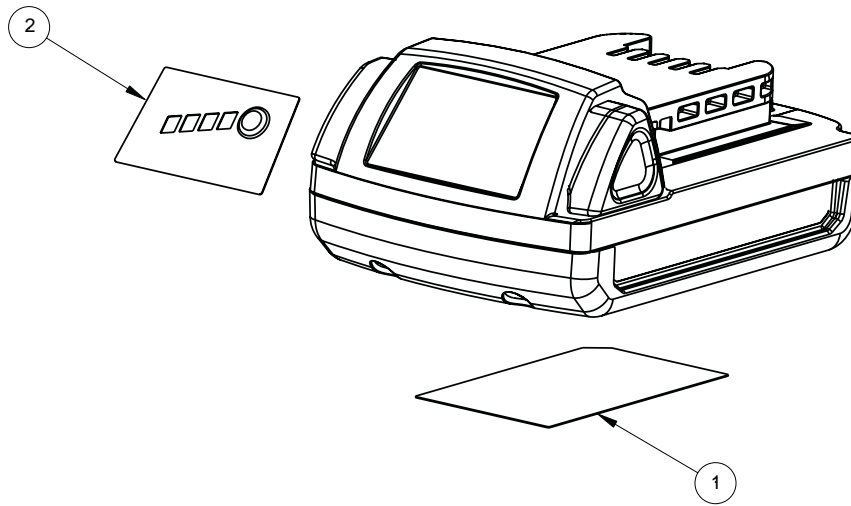


FIG.	PART NO.	DESCRIPTION OF PART	NO. REQ.	FIG.	NOTES
1	12-20-1815	Service nameplate	(1)	1, 2	A clean, dry surface is essential for proper performance for any adhesive system. The area intended for application of any adhesive label or nameplate must be prepared by cleaning with isopropyl alcohol. The solvent is to be applied with a clean, lint free applicator and the surface allowed to dry before applying the label or nameplate.
2	10-20-4300	Front label	(1)		