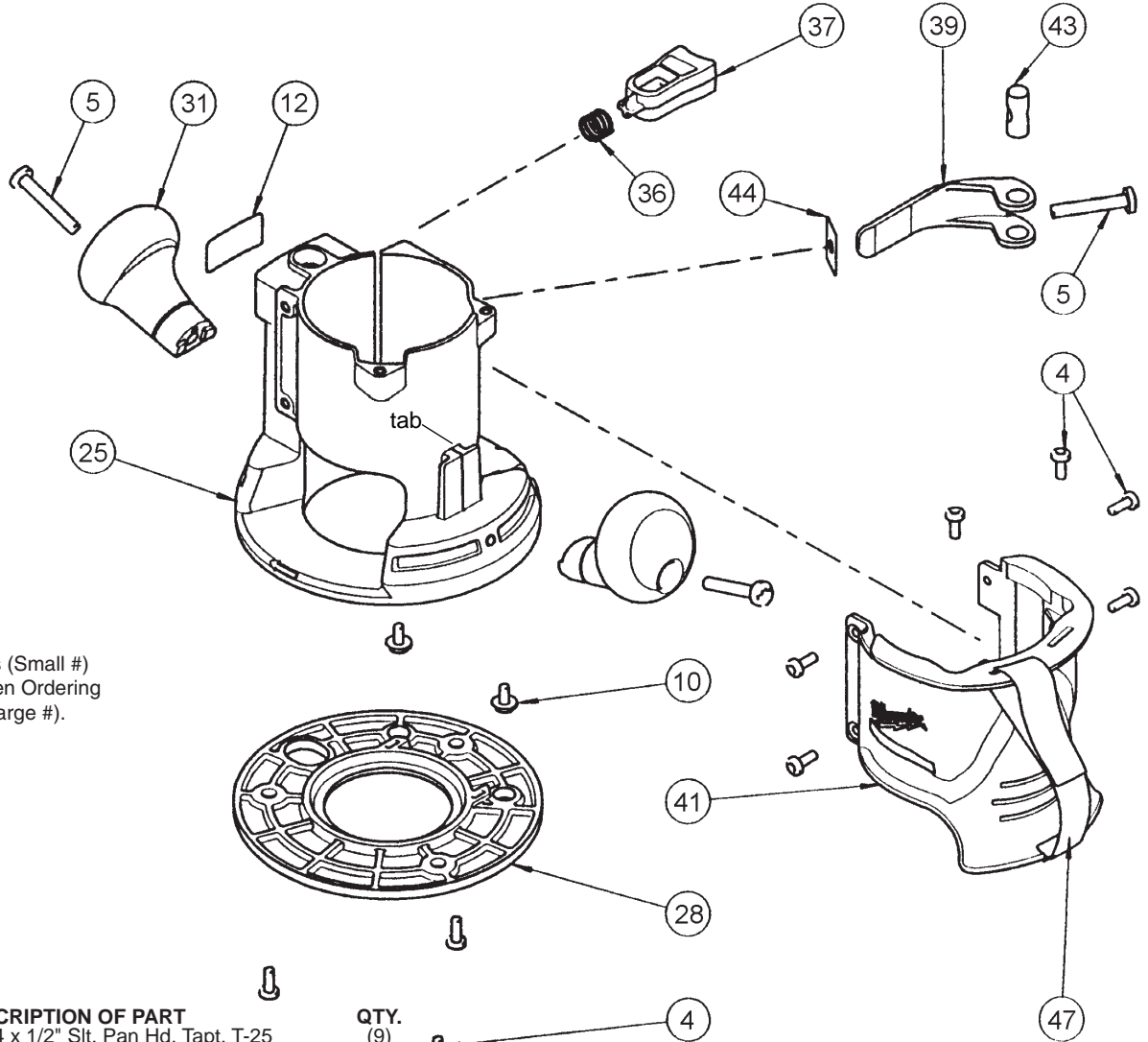




# SERVICE PARTS LIST

**BULLETIN NO.**  
**54-37-0400**

<b>SPECIFY CATALOG NO. AND SERIAL NO. WHEN ORDERING PARTS</b>		REVISED BULLETIN	DATE
<b>ROUTER BODYGRIP ASSEMBLY</b>			May 2007
<b>CATALOG NO.</b>	<b>48-10-5615</b>	WIRING INSTRUCTION	
	SERIAL NUMBER		



00  
0

**EXAMPLE:**

Component Parts (Small #)  
Are Included When Ordering  
The Assembly (Large #).

FIG.	PART NO.	DESCRIPTION OF PART	QTY.
4	06-82-5314	10-24 x 1/2" Slit. Pan Hd. Tapt. T-25	(9)
5	06-82-5514	1/4-20 x 1-1/2" Slit. Pan Hd. Tapt. T-30	(3)
10	06-82-8865	10-32 x 7/16" Pan Hd. Tapt. Sems T-25	(4)
12	12-25-0235	Nameplate	(1)
25	26-06-0100	Base	(1)
28	49-54-1045	Sub Base	(1)
31	31-44-0130	Knob Handle	(2)
36	40-50-4005	Compression Spring	(1)
37	42-42-0126	Release Button	(1)
39	44-10-0435	Base Clamp Lever	(1)
41	44-52-0020	Body Grip	(1)
43	44-60-0095	Thru Pin	(1)
44	44-66-0035	Wear Plate	(1)
47	45-56-0225	Handle Strap Assembly	(1)

**FIG. NOTES:**

5,39 Clamping force for the base clamp lever (39) is adjusted with base clamp screw (5). Tighten the screw using 10-20 lbs. force to close the lever to the locked position. Motor unit must be in base when checking force.

25,36,37 To service the release button (37) and the compression spring (36) a long, thin tool like a flat blade screwdriver must be used. From the bottom of the base (25), insert the screwdriver into the cavity located under the release button. Press on the button detent to release.

25,41,47 The metal clip from the handle strap (47) is to be placed around the tab on the base (25). The body grip (41) is to be placed onto the base from the top so that the cavity on the inside of the body grip slips over the tab on the base, securing the handle strap.

39,43 Apply a thin coat of "L" grease, No. 49-08-4170, to the pivot surface areas of the base clamp lever (39). Apply a thin coat of grease to the surface of the thru pin (43).