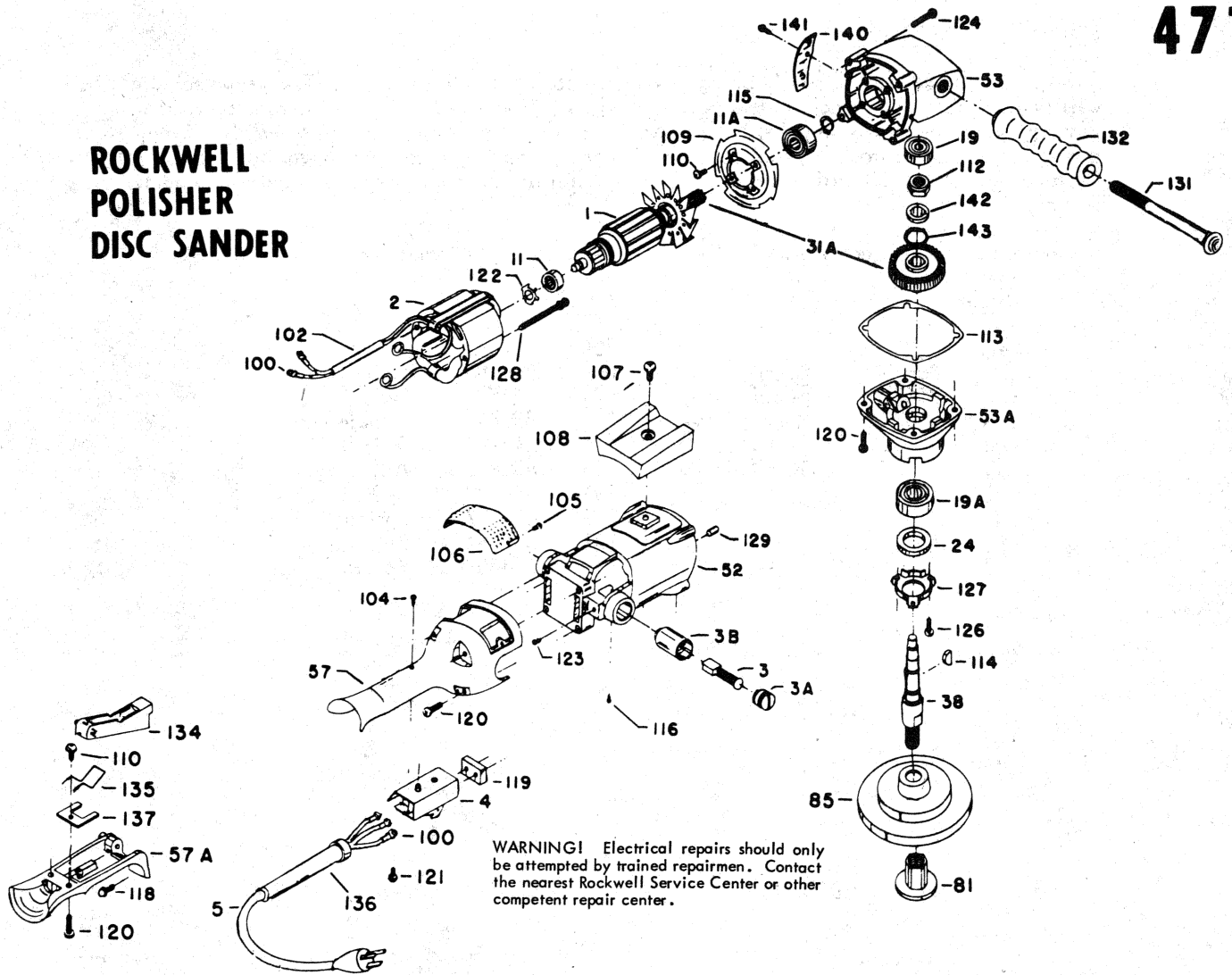


470  
471

**ROCKWELL  
POLISHER  
DISC SANDER**



Ref. No.	Part No.	Description	Ref. No.	Part No.	Description	Ref. No.	Part No.	Description
1	867877**	Armature 115V (470, 471)	57	851794	Handle	121	844107	Ground Screw
	861049	Armature 220V (470)	57A	851416	Handle Cover Assy.	122	842610	Loading Washer
2	860976	Field 115V	81	53820	Flange Nut	123	843081	Brush Holder Screw
	861051	Field 220V	85	55773	Backup Pad (470), Incl:	124	851770	Gear Housing Screw
3	850422	Brush			Ref. 81	126	842816	Retainer Screw
3A	803483	Brush Cap		54360	Backup Pad (471), Incl:	127	854851	Bearing Retainer
3B	854099	Brush Holder			Ref. 81	128	838312	Field Screw
4	847546	Switch	100	849314	Terminal	129	842597	Bearing Plug
5	846674	Cord 115V	102	801423	Lead Tubing	131	851744	Handle Bolt
	849465	Cord 220V	104	855727	Mounting Screw	132	854013	Auxiliary Handle
11	855731	Comm. End Bearing	105	858008	Plate Screw	134	853813	Switch Actuator
11A	858113	Fan End Bearing	106	855554	Access Plate	135	854377	Actuator Spring
19	855200	Spindle Inner Bearing	107	852402	Tool Rest Screw	136	843464	Cord Sleeve
19A	855285	Spindle Outer Bearing	108	810431	Tool Rest	137	849084	Actuator Retainer
24	853631	Spindle Seal	109	853640	Bearing Retainer	140	858727	Air Cover
31A	867097**	Gear & Pinion Set (470) Incl:	110	844009	Screw	141	801443	Cover Screw
*	869285	Pinion Spacer	112	859280	Gear Nut	142	859191	Gear Spacer
	867098**	Gear & Pinion Set (471)	113	851740	Shim as Req'd. - .003"	143	859281	"O" Ring
38	853625**	Spindle		851741	Shim as Req'd. - .005"	*	850914	Fan (Service Only)
52	851264	Motor Housing	114	802593**	Spindle Key	*	53454	Gear Lubricant 6 1/2 oz.
53	853816	Gear Housing	115	853246**	Bearing Ring	*	859387	Gear Lubricant 4 lbs.
53A	854857	Spindle Hsg. Cover	116	801896	Screw			
*	859486	Spring	118	854607	Screw			
*	859487	Pin	119	857756	Dust Seal			
*	854855	Button	120	851776	Cover Screw			

\*\* See Service Notes



# SERVICE NOTES

## SPINDLE, GEAR & KEY

The Spindle #853625 is currently being manufactured without the keyway. The keyed spindle will be available until stock on this type is used up. To use the keyless spindle, discard the key and press the gear onto the spindle. An arbor press is necessary for this assembly. When the gear is pressed onto the spindle, the nut, spacer, and O-ring are no longer necessary. Replacement gears will still incorporate a keyway for use on either keyed spindles or spindles without the keyway.

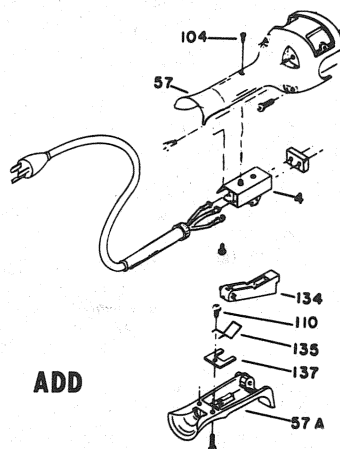
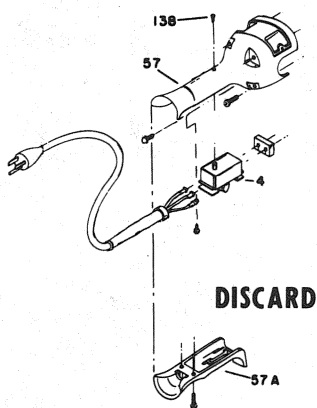
If required to convert early models of 471 to meet O.S.H.A. Standards:

### Discard:

Ref. No.	Part No.	Description
57	855725	Handle
57A	855726	Handle Cover
4	855555	Switch
138	855776	Switch Screw

### Add:

Ref. No.	Part No.	Description
57	851794	Handle
57A	851416	Handle Cover
4	847546	Switch
134	853813	Actuator
104	855727	Switch Screw
135	854377	Spring
137	849084	Retainer
110	844009	Screw



## FLANGE NUT

Flange nut currently supplied with Backup Pad (Ref. 85) does not fit on these units. Use Ref. 81.

## ARMATURE PINION & GEAR REPLACEMENT

Original units were built with the armature pinion hobbled into the armature shaft, requiring replacement of the armature and gear in the event of pinion or gear failure. Currently we are supplying the armature pinion as a separate part. When replacing the early type non-replaceable pinion armature, it will also be necessary to replace the gear set (Ref. 31A) as outlined below. After the conversion it will only be necessary to replace the gear set in the event of gear failure.

### Discard:

Ref. No.	Part No.	Description
1	860974	Armature (470)
	860975	Armature (471)
115	853246	Bearing Ring
31A	810451	Gear (470)
	810453	Gear (471)

### Add:

Ref. No.	Part No.	Description
1	867877	Armature (470, 471)
31A	867097	Gear Set (470)
	867098	Gear Set (471)

## PINION SPACER & GEAR SET - MODEL 470

The current Gear Set #867097 used in the Model 470 incorporates a spacer to be installed to the rear of the Pinion which acts as a Slinger. The Spacer #869285 is supplied with Gear Set #867097. Gear Sets received without the Spacer are acceptable and may be used.