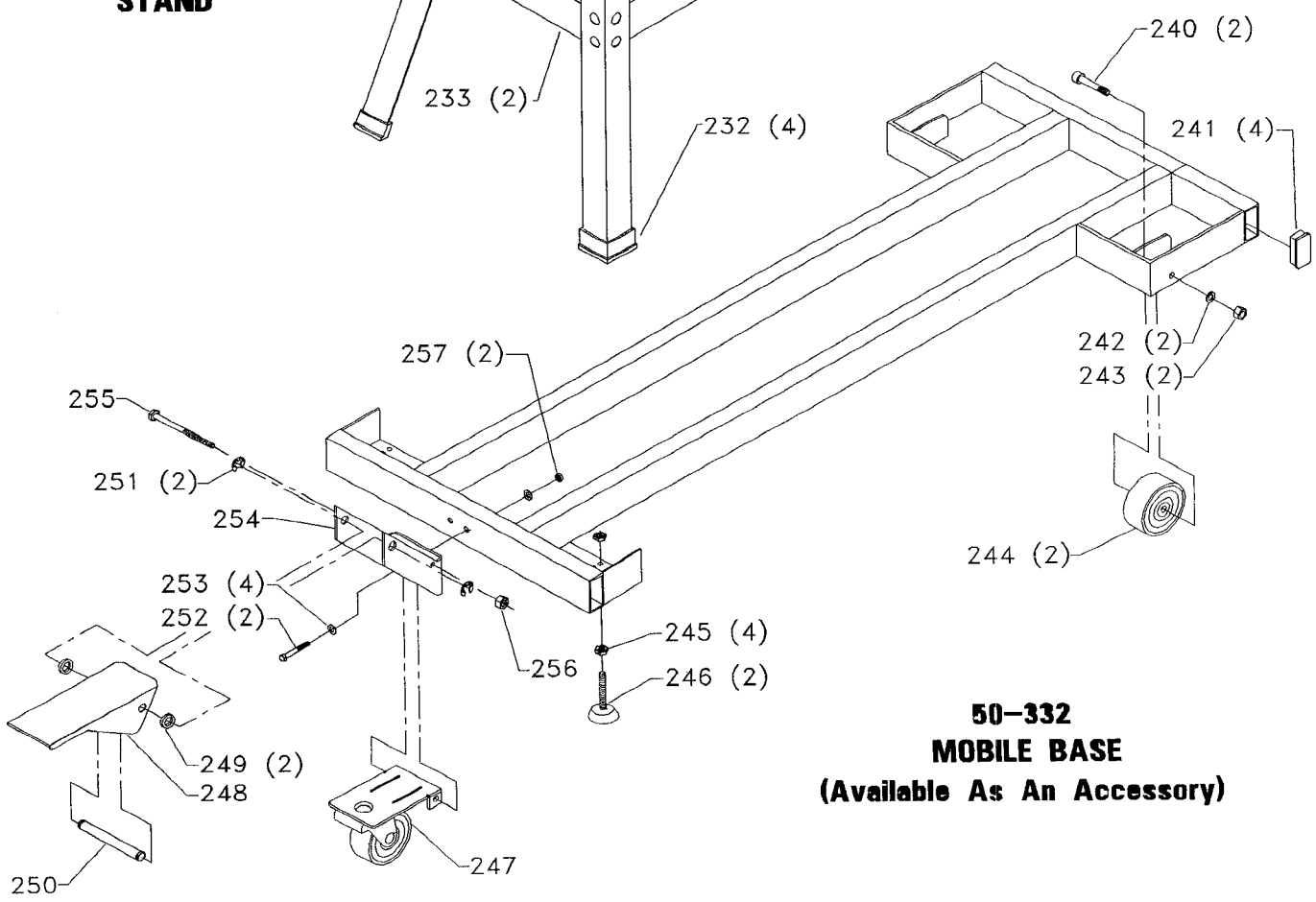


**46-705
STAND**



**50-332
MOBILE BASE
(Available As An Accessory)**

Parts List for 46-701 Type 2

Item Number	Part Number	Description	Qty Required
1	434080200006	BEARING CAP	1
2	434084300010	PULLEY ASSEMBLY	1
3	920040205360	BEARING	1
4	901041500232S	SET SCREW	1
5	000000-00	No Longer Available	1
5	434081300006	SMALL PULLEY-FIXED	1
6	000000-00	No Longer Available	1
7	901010600640S	CAP SCREW	1
8	901010600648S	CAP SCREW	2
9	904020201704S	LOCK WASHER	3
11	438010040096	STRAIN RELIEF	1
12	489105-00	SWITCH	1
13	489105-00	SWITCH	1
13	1343758	KEY	1
14	434083310001	COVER ASSY	1
15	901051631229	PAN HEAD SCREW	5
16	000000-00	No Longer Available	1
17	434081320002	HEADSTOCK SCALE	1
18	000000-00	No Longer Available	1
19	000000-00	No Longer Available	1
20	434080140002	MOTOR BRACKET	1
21	434080790001	PIVOT NUT	1
22	000000-00	No Longer Available	1
23	901061217381	SCREW	2
24	000000-00	No Longer Available	1
25	000000-00	No Longer Available	1
26	904152431638	E-RING	1

Parts List for 46-701 Type 2

Item Number	Part Number	Description	Qty Required
27	000000-00	No Longer Available	1
28	434084300005	LG PULLEY W/SLEEVE	1
29	5140031-60	BELT	1
30	434081300007	LARGE FIXED PULLEY	1
31	901041500232S	SET SCREW	1
32	000000-00	No Longer Available	1
33	000000-00	No Longer Available	1
34	928060131535	LOAD SPRING	1
35	920040205360	BEARING	1
36	904150131047	RET RING	1
37	927030231641	KEY	1
38	000000-00	No Longer Available	1
39	904150131047	RET RING	1
40	920040205360	BEARING	1
41	000000-00	No Longer Available	1
42	901010600649S	CAP SCREW	1
43	902010205435S	JAM NUT	1
44	901010600648S	CAP SCREW	3
45	904020201704S	LOCK WASHER	3
46	000000-00	No Longer Available	2
47	928010414118	COIL SPRING	2
48	000000-00	No Longer Available	1
49	000000-00	No Longer Available	1
50	000000-00	No Longer Available	1
51	000000-00	No Longer Available	1
52	434080750002	POINTER	1
53	434080720003	PLATE	1

Parts List for 46-701 Type 2

Item Number	Part Number	Description	Qty Required
54	000000-00	No Longer Available	1
55	000000-00	No Longer Available	1
55	434080580002	HEADSTOCK	1
56	434080750002	POINTER	1
57	000000-00	No Longer Available	1
58	424020330005	RATCHET HANDLE	1
59	406031120006	SPECIAL SCREW	1
60	406031220002	SPRING	1
61	434080190002	CAM	1
62	000000-00	No Longer Available	1
63	904010101606S	STEEL WASHER	1
64	000000-00	No Longer Available	1
64	000000-00	No Longer Available	1
65	000000-00	No Longer Available	1
70	000000-00	No Longer Available	1
71	434080220004	CENTER POINT-TAPERED	1
72	46-936	3 IN RH FACE PLATE	1
73	901061217381	SCREW	2
74	901061217381	SCREW	2
75	46-712	ECONOMY LIVE CTR	1
76	434081060001	QUILL	1
77	434081320001	SCALE	1
78	434081120001	SCREW	1
79	904070105562	WASHER	1
80	902012122409S	STOP NUT	1
81	406031220002	SPRING	1
82	000000-00	No Longer Available	1

Parts List for 46-701 Type 2

Item Number	Part Number	Description	Qty Required
83	434080670003	LEVER	1
84	904070105562	WASHER	1
85	434084000001	HANDWHEEL ASSY	1
86	902010217801	JAM NUT	1
87	902012131635	LOCK NUT	1
88	928010231644	SPRING	1
89	434080670002	LEVER	1
90	902010431646	HEX NUT	1
91	904010101615	STEEL WASHER	1
92	434080920001	TAILSTOCK	1
92	434083920001	TAILSTOCK ASSY	1
93	434080720001	CLAMP PLATE	1
94	901010631637	SCREW	1
95	434083060001	BED	1
96	911331	TOOL REST	1
97	434081080001	CAM ROD	1
98	905010102706S	ROLL PIN	1
99	000000-00	No Longer Available	1
100	434023275004	CLAMP ASSY	1
101	434031120002	EYE BOLT	1
102	434080720001	CLAMP PLATE	1
103	904010101615	STEEL WASHER	1
104	902012131635	LOCK NUT	1
110	901791	KNOCKOUT BAR	1
111	931010214099S	KNOB-SCREW ON	1
112	894496	WRENCH NON ADJUST	1
113	434081010002	OPEN-END WRENCH	2

Parts List for 46-701 Type 2

Item Number	Part Number	Description	Qty Required
201	000000-00	No Longer Available	1
202	000000-00	No Longer Available	1
203	434080670003	LEVER	1
204	406031220002	SPRING	1
205	902012122409S	STOP NUT	1
206	000000-00	No Longer Available	1
220	901010600617	CAP SCREW	4
221	904010101615	STEEL WASHER	8
222	904020201704S	LOCK WASHER	4
223	902010401026S	HEX NUT	4
224	427990140093	BRACKET - 5.75	2
225	000000-00	No Longer Available	2
226	902010101300S	HEX NUT	32
227	904020101703S	LOCK WASHER	32
228	904010101620S	WASHER	32
229	901110231476S	BOLT	32
230	000000-00	No Longer Available	4
231	427990140074	BRACKET - 38.13	2
232	427990480001	FOOT	2
233	000000-00	No Longer Available	2
240	901030108024	CAP SCREW	1
241	436020200003	CAP 1X 2	1
242	904020101703S	LOCK WASHER	1
243	902010101300S	HEX NUT	1
244	000000-00	No Longer Available	1
245	902010101300S	HEX NUT	1
246	436020480009S	LEVELING SCREW	1

Parts List for 46-701 Type 2

Item Number	Part Number	Description	Qty Required
247	436024000005	CASTER ASSY	1
248	436023670005	FOOT LEVER ASSY	1
249	904010101636S	WASHER	1
250	436020710001	PIN	1
251	904150120052	RETAINER	1
252	901010600609S	CAP SCREW	1
253	904010101620S	WASHER	1
254	436020140016	BRACKET	1
255	901010631537	SCREW	1
256	902012101072	ESNA LOCK NUT	1
257	902010101300S	HEX NUT	1
856	000000-00	No Longer Available	1
856	000000-00	No Longer Available	1