

# 445, 450 445e, 450e

**Spare parts**

**Ersatzteile**

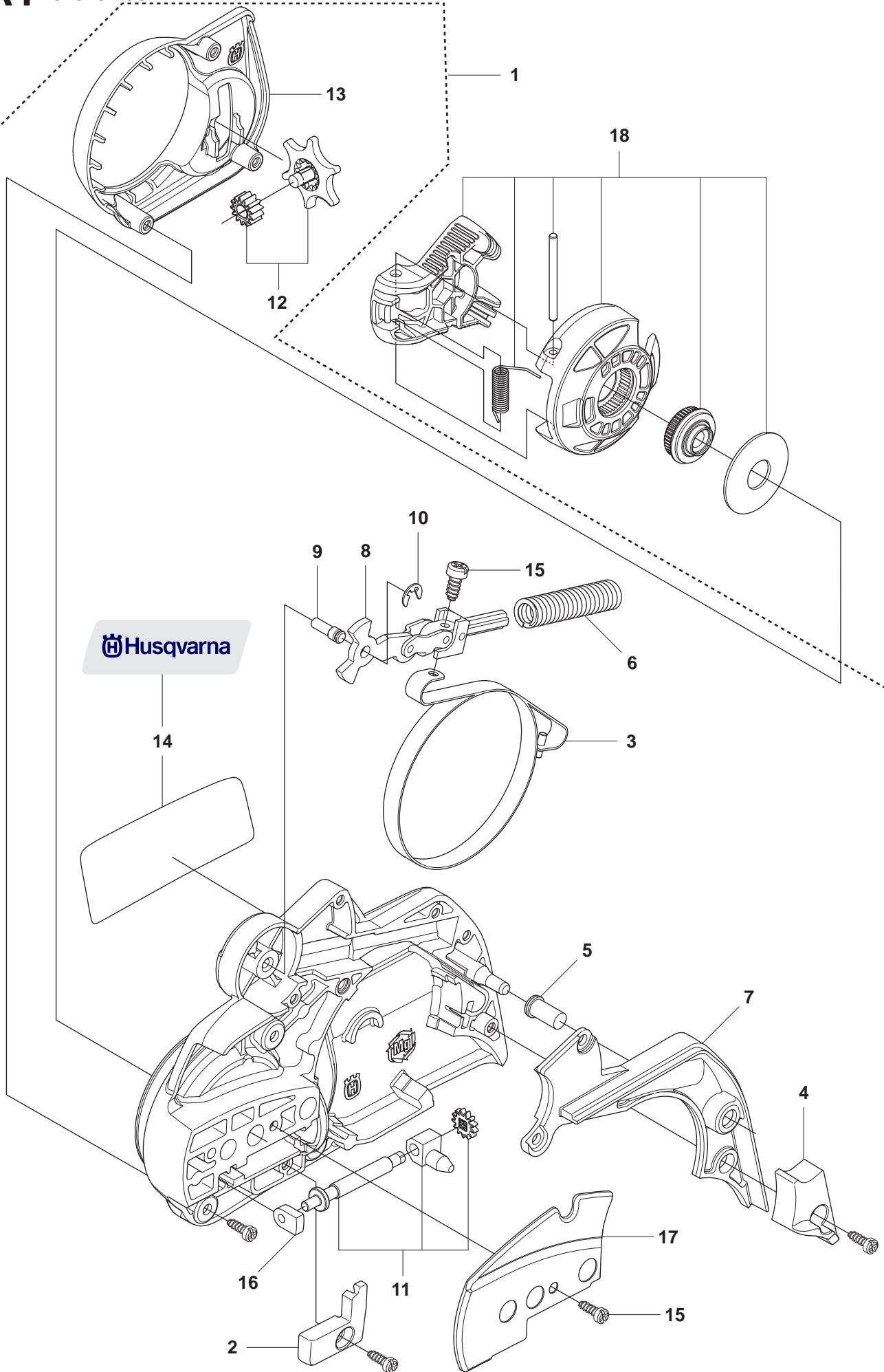
**Pièces détachées**

**Reserve onderdelen**

**Repuestos**

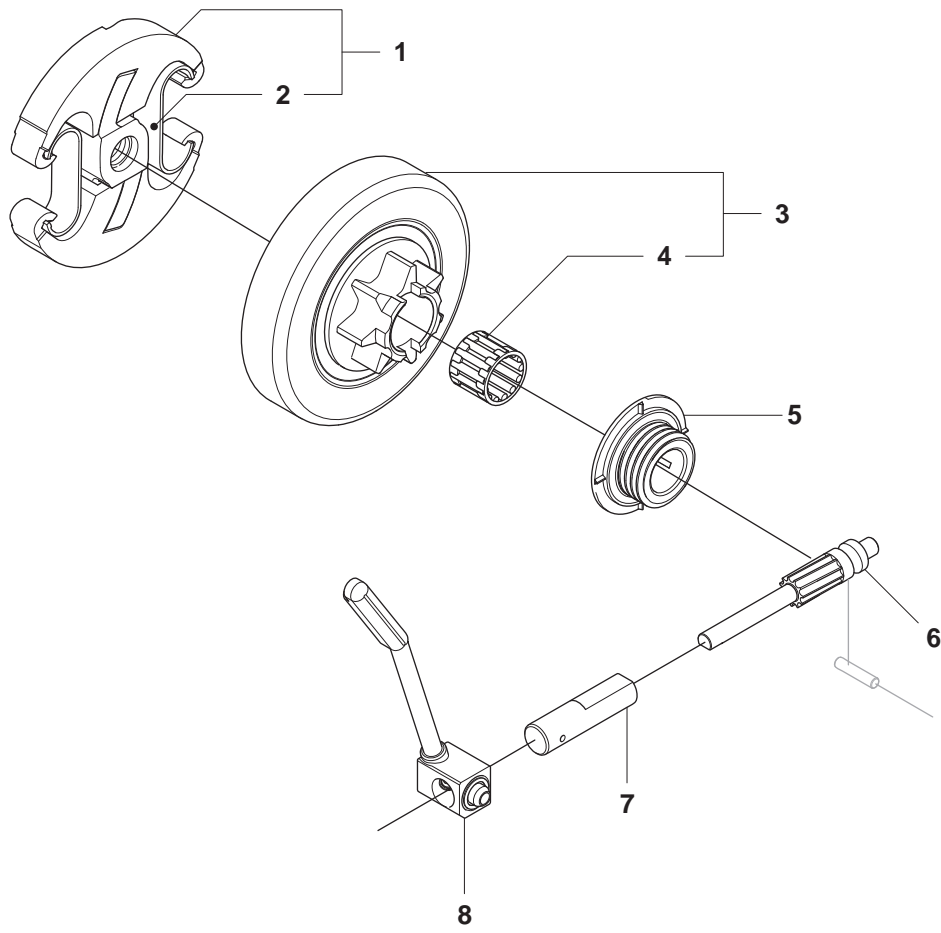
**Reservdelar**

# A1 445e, 450e CLUTCH COVER



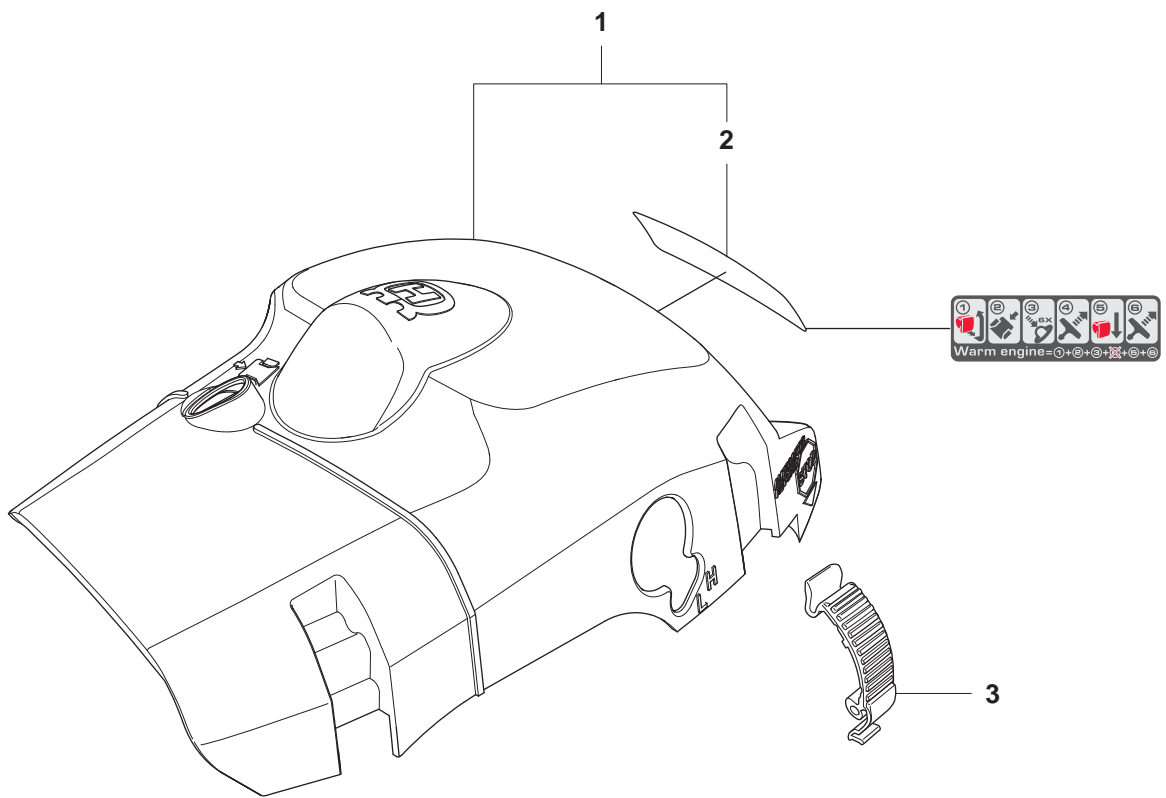
Position	Article	Quantity	Notes	Kit
1	544 21 72-01	1		
2	537 34 76-01	1		1
3	537 04 30-01	1		1
4	544 08 30-01	1		1
5	503 85 52-01	1		1
6	503 46 59-01	1		1
7	544 08 29-01	1		1
8	503 89 08-02	1		1
9	503 89 29-01	1		1
10	735 31 08-20	1		1
11	537 39 29-01	1		1
12	537 34 72-01	1		1
13	537 39 26-01	1		1
14	544 35 75-01	1		1
15	503 21 70-10	10		1
16	544 84 55-01	1		1
17	544 25 05-01	1		1
18	537 34 78-01	1		

**B** 445, 450, 445e, 450e  
CLUTCH & OIL PUMP



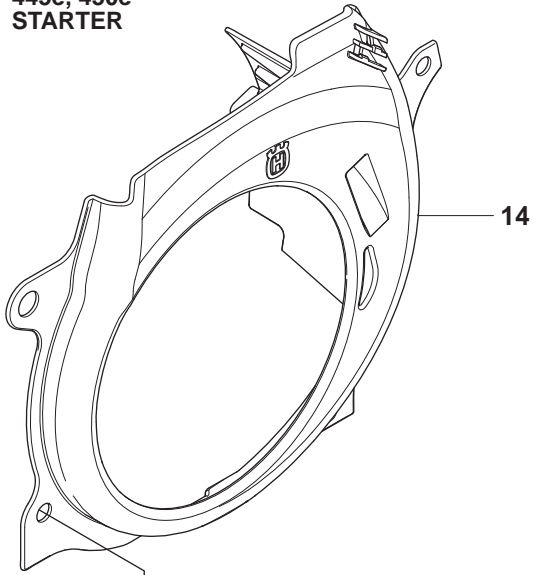
<b>Position</b>	<b>Article</b>	<b>Quantity</b>	<b>Notes</b>	<b>Kit</b>
1	537 11 05-03	1		
2	537 35 91-01	2		1
3	503 87 30-72	1		
4	503 25 52-01	1		3
5	503 93 18-01	1		
6	540 05 79-01	1		
7	537 15 48-01	1		
8	544 08 42-01	1		

**C** 445, 450, 445e, 450e  
COVER

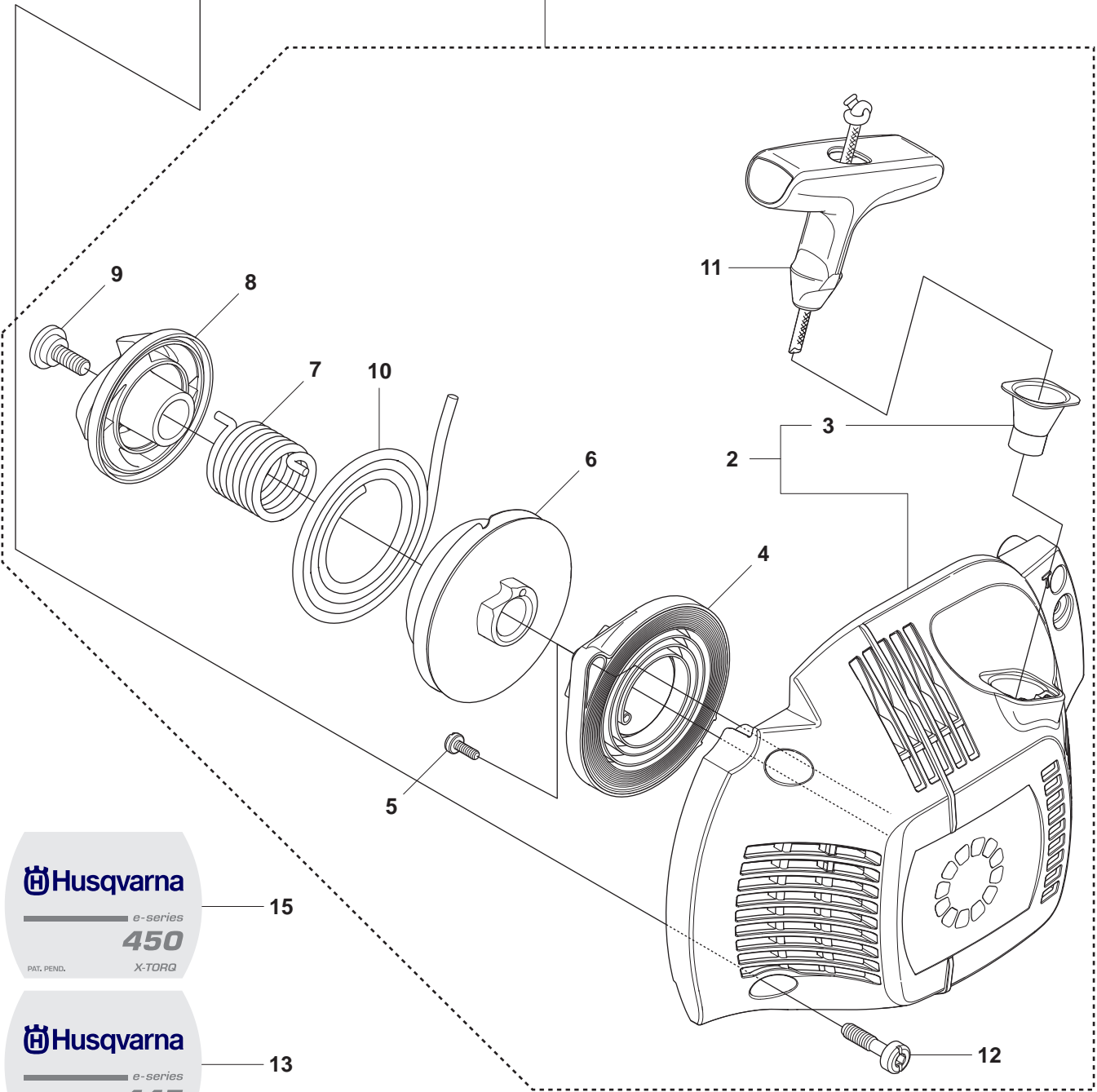


<b>Position</b>	<b>Article</b>	<b>Quantity</b>	<b>Notes</b>	<b>Kit</b>
1	544 34 83-03	1		
2	522 70 92-01	1		1
3	503 89 47-01	3		

**D2** 445e, 450e  
STARTER



1



 **Husqvarna**

e-series  
**450**  
X-TORQ

PAT. PEND.

15

 **Husqvarna**

e-series  
**445**  
X-TORQ

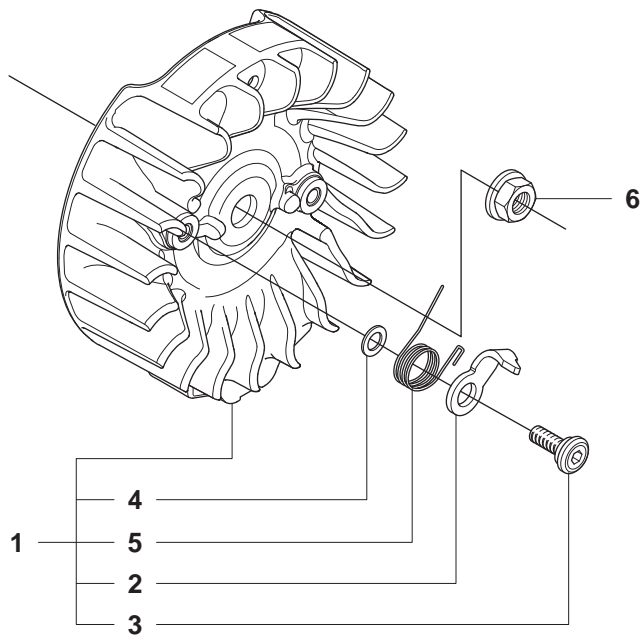
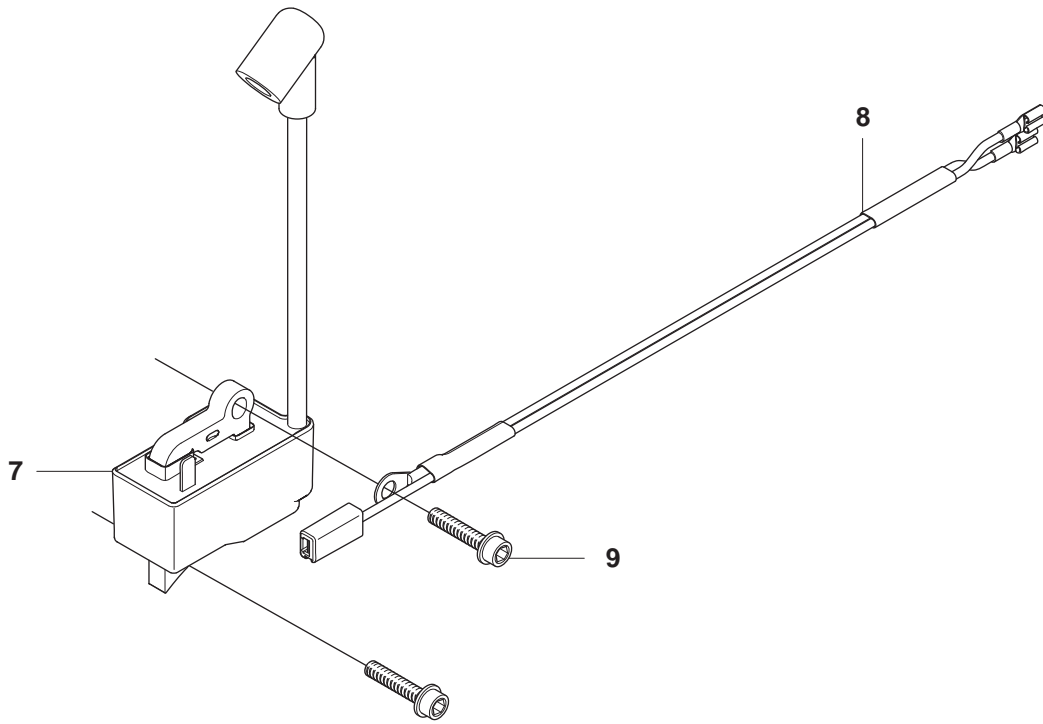
PAT. PEND.

13



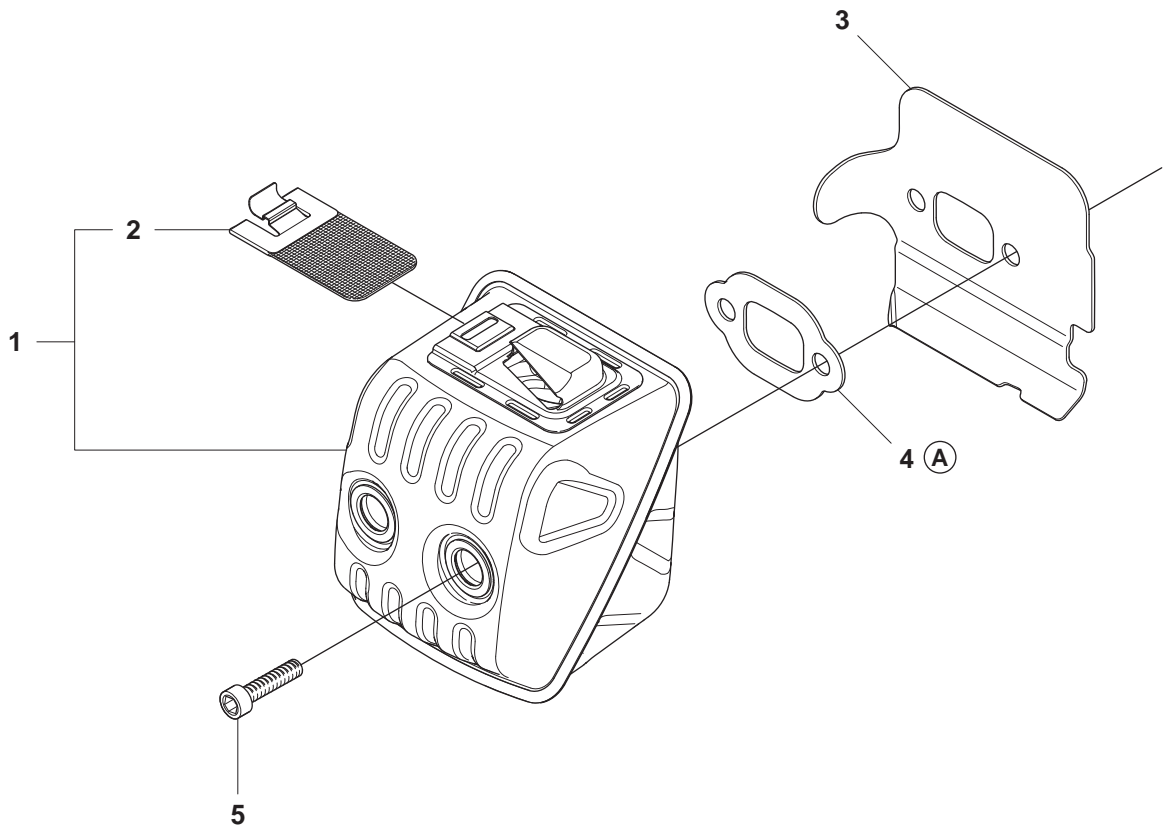
Position	Article	Quantity	Notes	Kit
1	544 15 85-02	1		
2	544 15 84-01	1		1
3	537 28 32-01	1		1
4	537 24 17-01	1		1
5	503 21 28-10	2		1
6	537 42 32-01	1		1
7	537 42 34-01	1		1
8	537 42 33-01	1		1
9	537 42 66-01	1		1
10	505 30 51-25	1		1
11	537 23 25-01	1		1
12	503 21 73-21	4		1
13	544 37 71-01	1	445e	
14	544 08 15-01	1		
15	544 37 71-02	1	450e	

**E** 445, 450, 445e, 450e  
ELECTRICAL



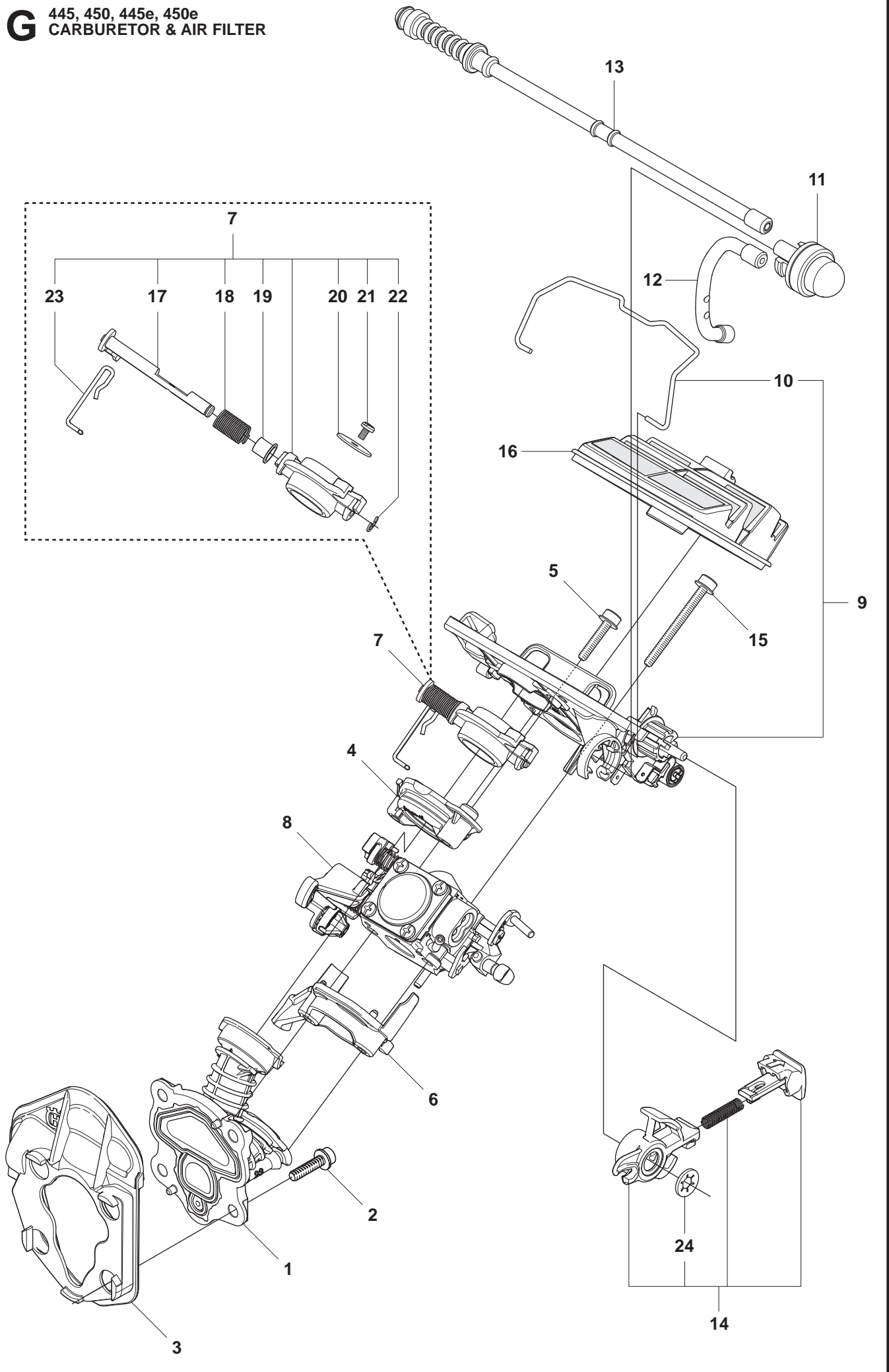
Position	Article	Quantity	Notes	Kit
1	544 11 18-01	1		
2	537 24 56-01	2		1
3	501 81 99-03	2		1
4	503 23 00-42	2		1
5	503 78 32-01	2		1
6	503 22 04-01	1		
7	504 57 14-01	1		
8	544 08 28-01	1		
9	503 20 02-20	2		

**F** 445, 450, 445e, 450e  
MUFFLER



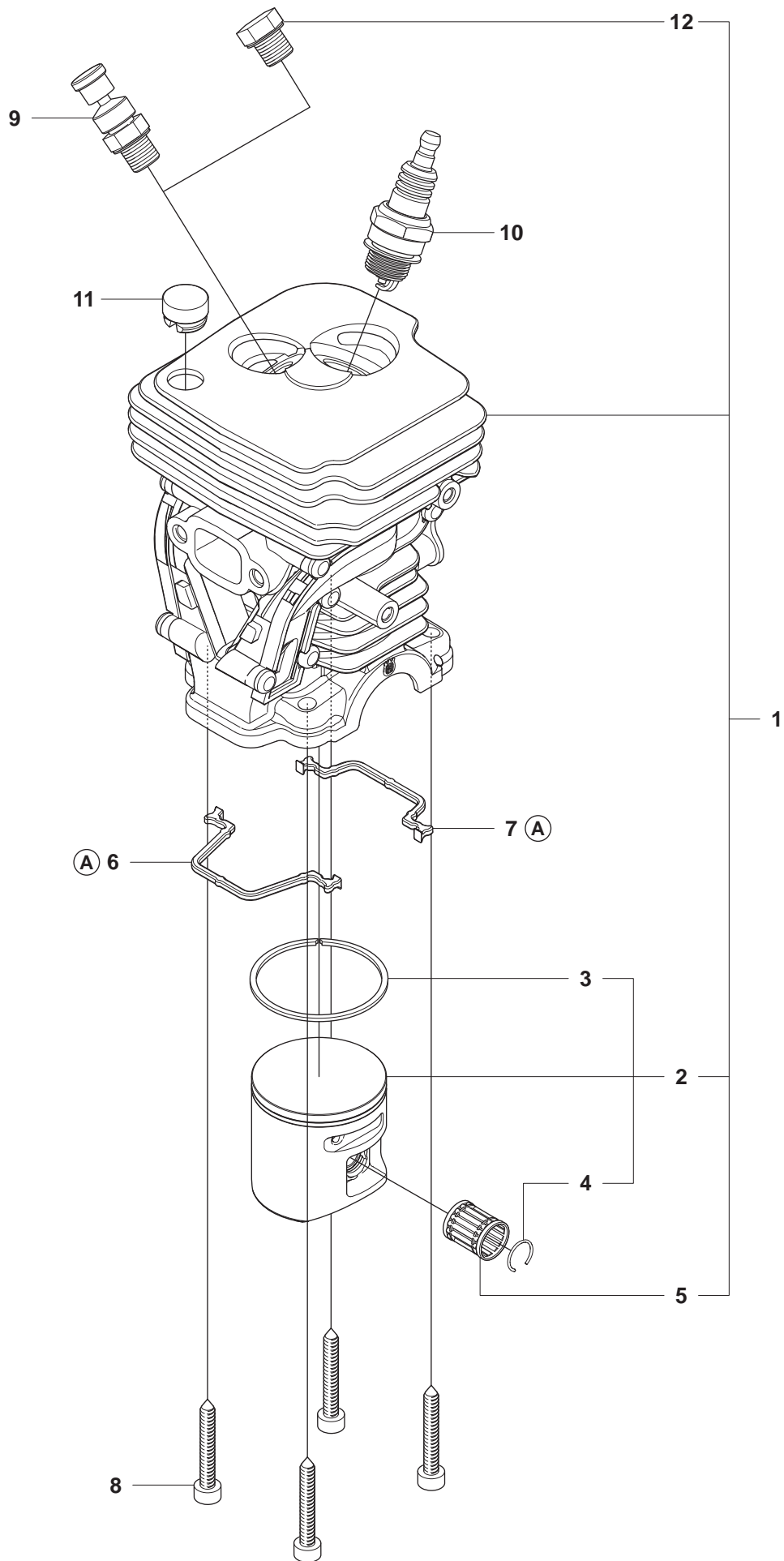
Position	Article	Quantity	Notes	Kit
1	544 14 77-01	1		
2	544 14 84-01	1		1
3	544 08 31-03	1		
4	544 08 44-01	1		
5	725 53 68-55	2		

**G** 445, 450, 445e, 450e  
CARBURETOR & AIR FILTER



Position	Article	Quantity	Notes	Kit
1	544 08 23-01	1		
2	503 20 02-16	4		
3	544 08 38-01	1		
4	544 08 40-01	1		
5	503 21 07-25	2		
6	544 08 41-01	1		
7	544 14 82-01	1		
8	506 45 04-01	1		
9	504 00 34-01	1		
10	544 23 14-01	1		9
11	503 93 66-01	1	air purge	
12	544 40 19-01	1	suction hose	
13	544 12 97-01	1	return hose	
14	544 35 99-02	1		
15	503 21 07-50	2		
16	544 08 08-01	1	μ 80	
16	544 08 08-02	1	μ 44	
16	544 08 08-03	1	Felt	
17	502 08 10-01	1		7
18	502 08 11-01	1		7
19	502 08 08-01	1		7
20	502 08 12-01	1		7
21	503 48 18-01	1		7
22	537 38 52-01	1		7
23	502 08 09-01	1		7
24	735 58 30-00	1		14

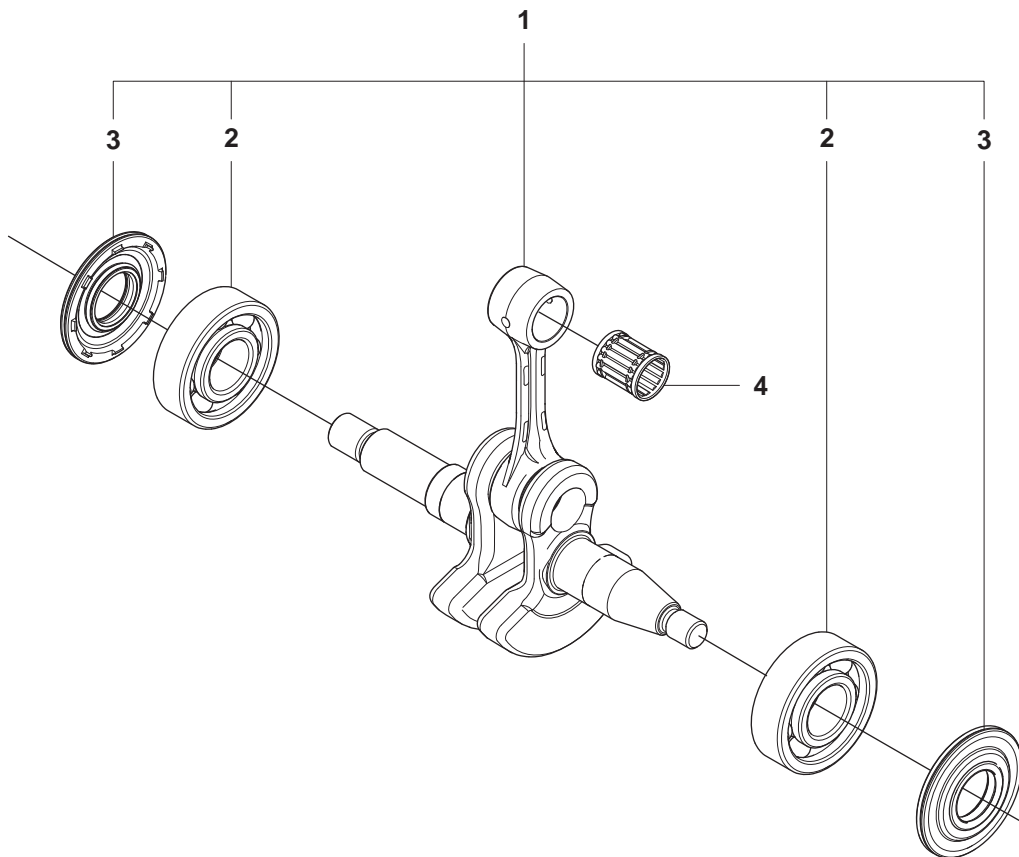
# H2 450, 450e CYLINDER PISTON





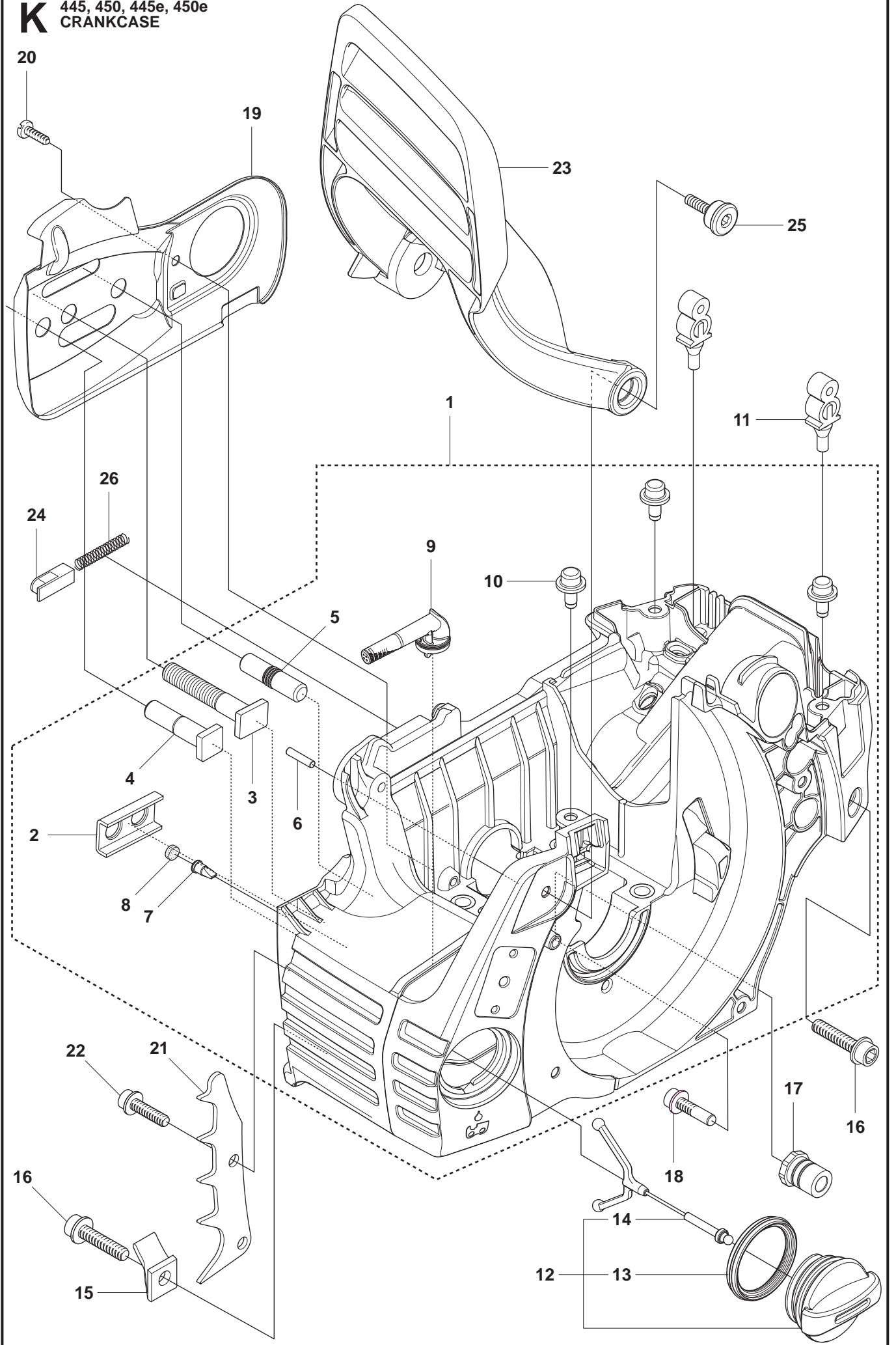
Position	Article	Quantity	Notes	Kit
1	544 11 98-02	1		
2	544 08 89-03	1		1
3	544 08 87-01	1		2
4	544 21 13-01	1		1
5	501 45 16-01	1		1
6	544 10 87-01	1		
7	544 10 92-01	1		
8	503 20 05-27	4		
9	544 87 07-01	1		
10	503 23 51-11	1		
11	540 05 73-01	1		
12	503 55 22-01	1		

**J** 445, 450, 445e, 450e  
CRANKSHAFT



Position	Article	Quantity	Notes	Kit
1	544 06 19-01	1		
2	544 06 20-01	2		1
3	544 01 38-01	2		1
4	501 45 16-01	1		

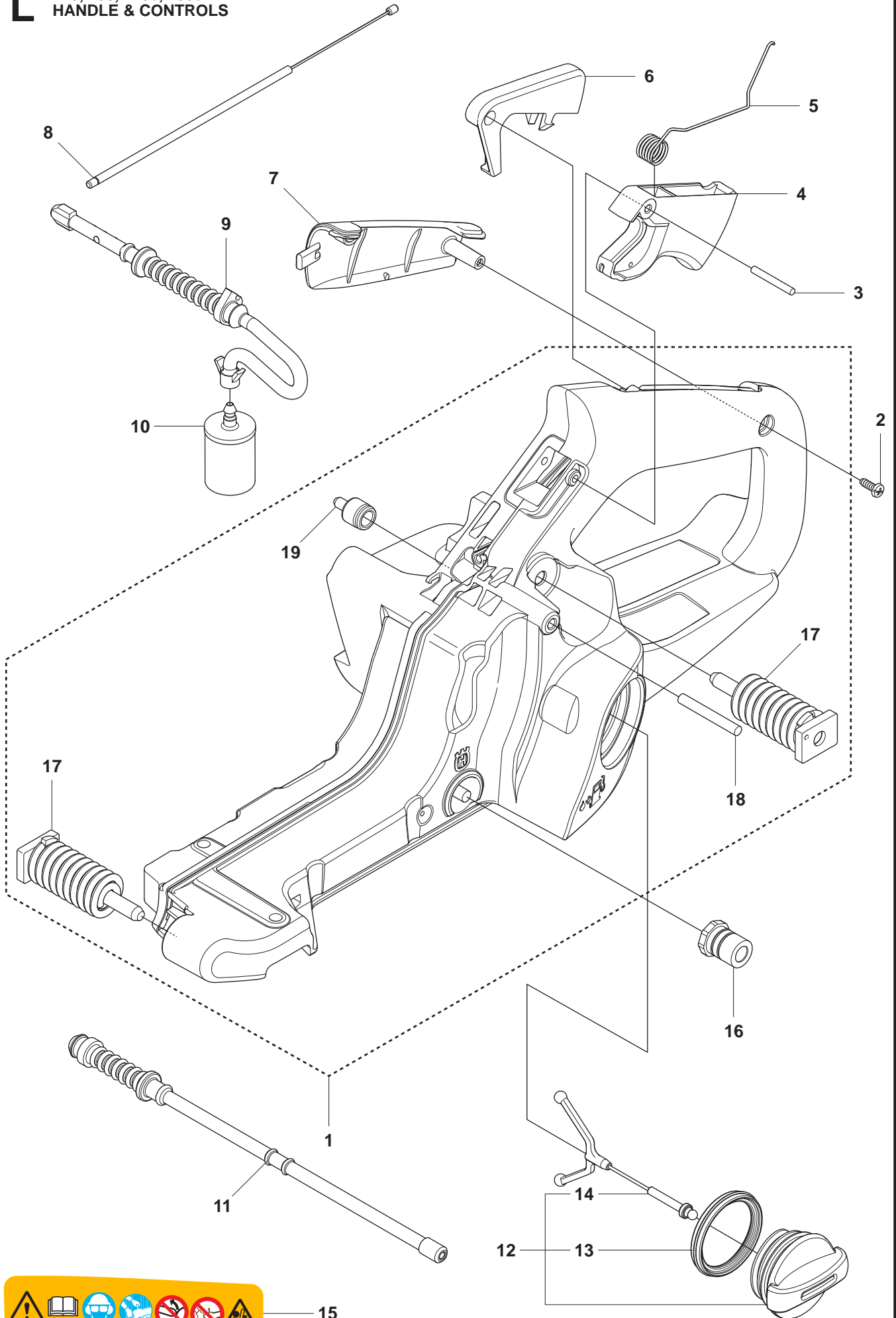
**K** 445, 450, 445e, 450e  
CRANKCASE



Position	Article	Quantity	Notes	Kit
1	537 43 82-01	1		
2	503 87 58-02	1		1
3	503 87 54-02	1		1
4	537 33 46-01	1		1
5	544 03 64-01	1		1
6	503 24 09-05	1		1
7	530 02 61-19	1		1
8	537 40 35-01	1		1
9	544 08 33-01	1		1
10	544 33 16-01	3		1
11	503 86 93-01	2		
12	544 11 12-01	1		
13	537 21 50-01	1		12
14	503 57 89-01	1		12
15	503 88 63-01	1		
16	544 31 62-01	2		
17	501 00 76-01	2		
18	503 21 51-03	1		
19	544 09 40-01	1		
20	503 21 70-10	1		
21	503 90 59-01	1		
22	503 21 75-20	2		
23	544 08 26-01	1		
24	503 89 24-01	1		
25	503 89 30-02	2		
26	503 43 65-01	1		



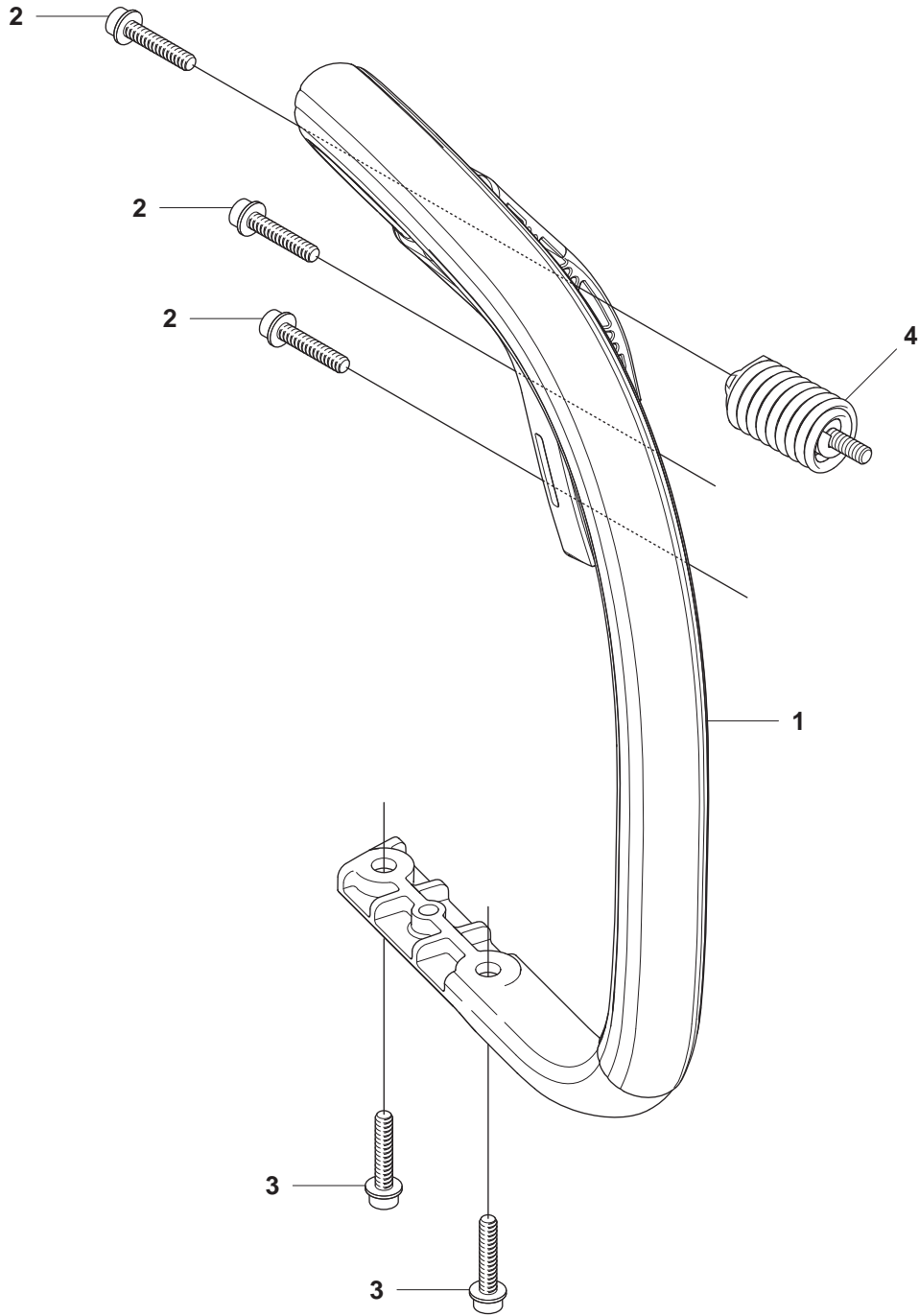
445, 450, 445e, 450e  
HANDLE & CONTROLS



15

Position	Article	Quantity	Notes	Kit
1	537 43 79-01	1		
2	503 21 28-10	1		
3	720 18 25-20	1		
4	544 09 97-01	1		
5	544 09 99-01	1		
6	544 09 98-01	1		
7	544 10 00-01	1		
8	504 09 88-01	1		
9	544 12 86-01	1		
10	503 44 32-01	1		
11	544 12 97-01	1		
12	544 11 12-01	1		
13	537 21 50-01	1		12
14	503 57 89-01	1		12
15	544 37 50-01	1		
16	501 00 76-01	1		
17	544 10 12-01	2		1
18	721 12 63-39	1		1
19	537 35 95-01	1		1

**M** 445, 450, 445e, 450e  
HANDLE

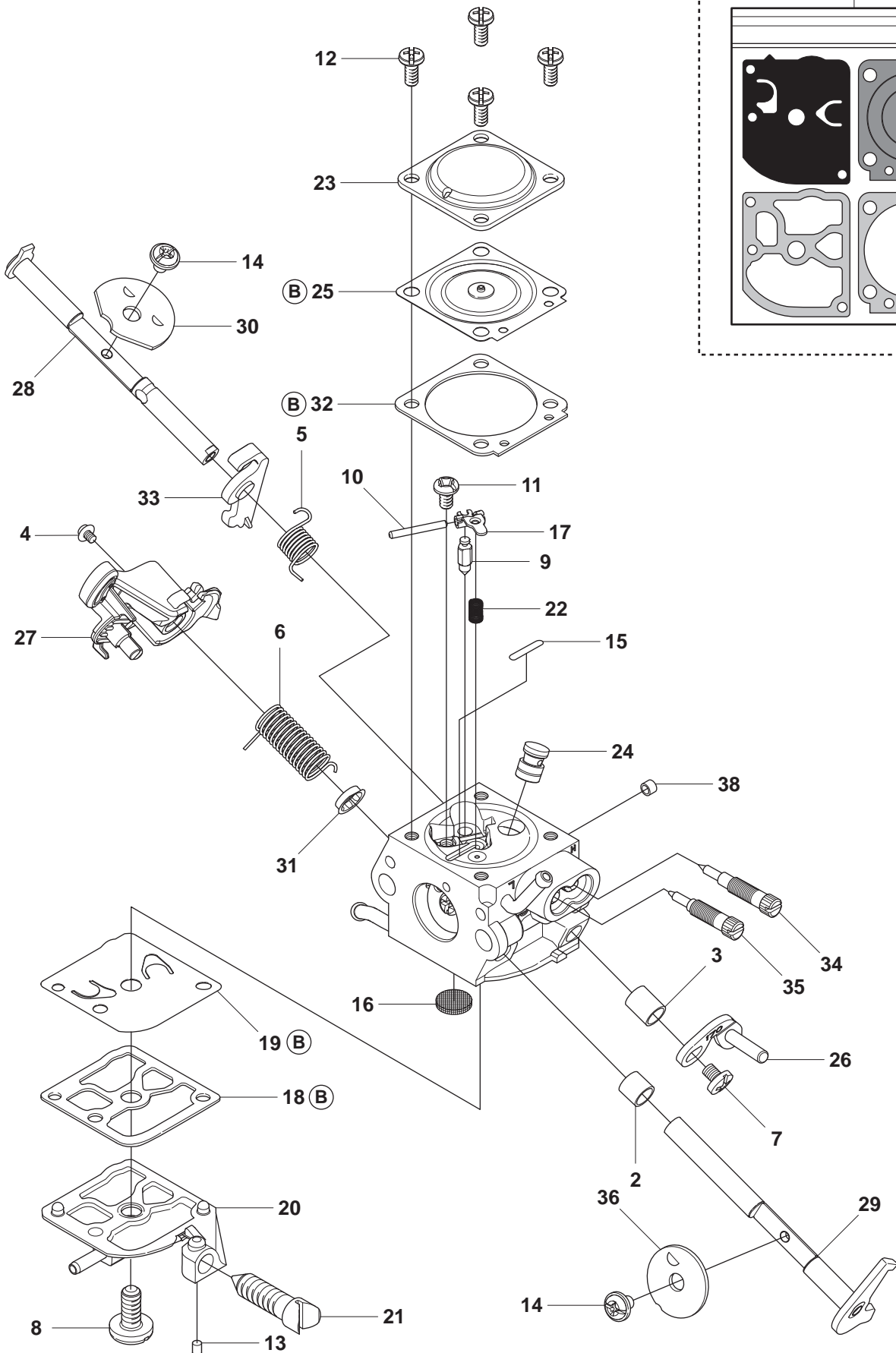




Position	Article	Quantity	Notes	Kit
1	544 08 39-01	1	handtag	
2	544 31 62-01	3	SKRUV IHSCFT,PW6.3X2	
3	503 21 02-70	2	SKRUV IHSCFT,PW6.3X1	
4	503 89 83-01	1	VIB.ISOLATOR,CYL	

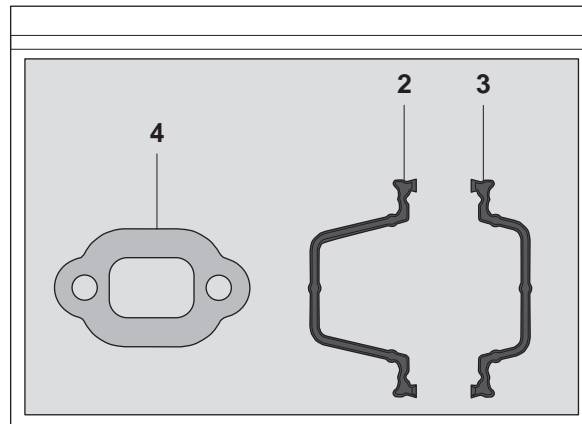
1

37 **(B)** GND-81



Position	Article	Quantity	Notes	Kit
1	506 45 04-01	1		
2	502 07 82-01	1		1
3	502 07 83-01	1		1
4	502 07 84-01	1		1
5	502 07 86-01	1		1
6	502 07 87-01	1		1
7	503 47 90-01	1		1
8	503 47 96-01	1		1
9	503 47 97-01	1		1
10	503 48 00-01	1		1
11	503 48 01-01	1		1
12	503 48 05-01	4		1
13	503 48 11-01	1		1
14	503 48 18-01	2		1
15	503 53 56-01	2		1
16	503 53 57-01	1		1
17	503 66 59-01	1		1
18	537 02 01-01	1		1, 37
19	537 38 31-01	1		1, 37
20	502 07 89-01	1		1
21	537 38 33-01	1		1
22	537 38 34-01	1		1
23	537 38 37-01	1		1
24	544 23 77-01	1		1
25	502 07 90-01	1		1, 37
26	502 07 91-01	1		1
27	505 10 17-01	1		1
28	502 07 94-01	1		1
29	502 07 95-01	1		1
30	502 24 77-01	1		1
31	502 07 98-01	1		1
32	537 38 36-01	1		1, 37
33	502 08 17-01	1		1
34	502 07 99-01	1		1
35	502 08 00-01	1		1
36	502 08 01-01	1		1
37	502 08 02-01	1	B = Set of Gaskets	
38	544 11 95-01	1		1

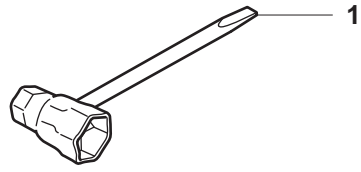
**P** Levereras endast som reservdel  
Delivery as spare part only  
Nur als Ersatzteil lieferbar  
Livrabable seulement comme pièce de rechange  
Solo como repuesto  
Zasilà se jenom jako náhradni díl



1 (A)  
Packningssats  
Set of gaskets  
Dichtungssatz  
Jeu de joints  
Juego de juntas

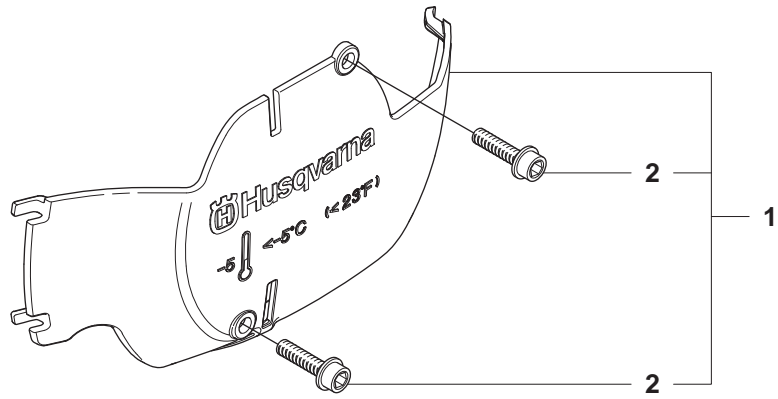
Position	Article	Quantity	Notes	Kit
1	544 97 20-01	1		
2	544 10 87-01	1		1
3	544 10 92-01	1		1
4	544 08 44-01	1		1

**Q** Tillbehör  
Accessories  
Zubehöre  
Accessoires  
Accesorios

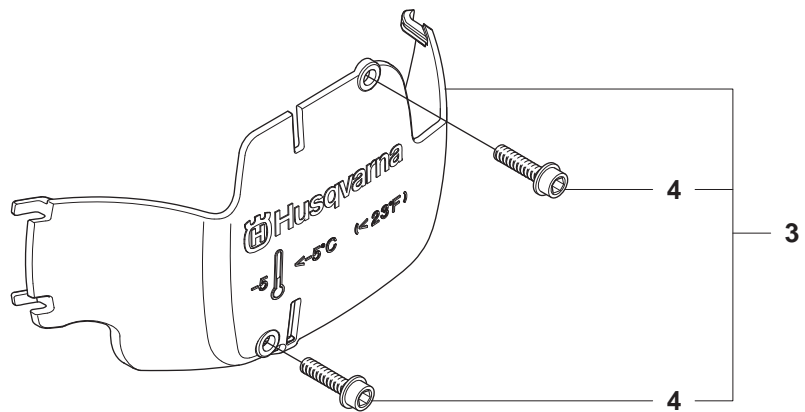


<b>Page Q</b>		<b>445, 450, 445e, 450e</b>	<b>ACCESSORIES</b>	
<b>Position</b>	<b>Article</b>	<b>Quantity</b>	<b>Notes</b>	<b>Kit</b>
1	5035585-04	1		

**R** 445  
WINTER KIT



**R** 445e, 450e  
WINTER KIT

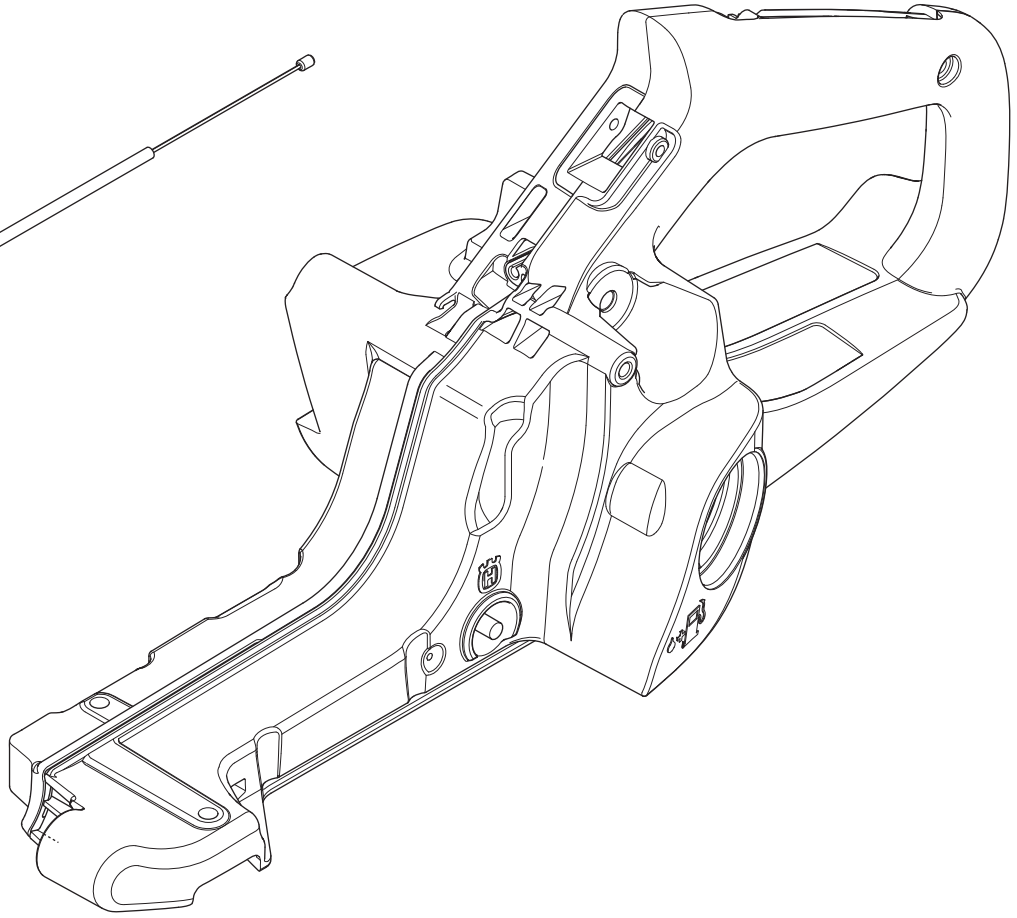
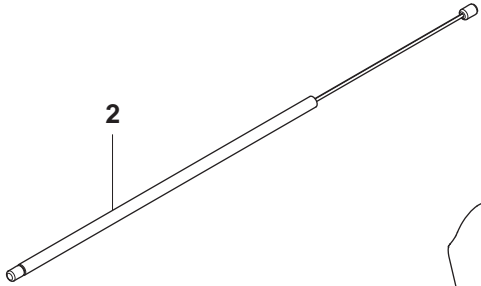




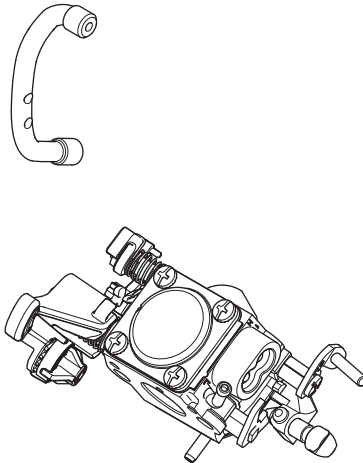
Position	Article	Quantity	Notes	Kit
1	544 46 45-01	1	Winter kit	
2	503 21 70-01	2		1
3	544 46 45-02	1	Winter kit e-series	
4	503 21 70-16	2		3

**S** 445, 445e, 450e  
SERVICE UPDATES

1



3



<b>Position</b>	<b>Article</b>	<b>Quantity</b>	<b>Notes</b>	<b>Kit</b>
1	504 59 10-01	1	Up to 08220001	
2	544 12 03-01	1	Up to 08220001	1
3	505 45 36-01	1	Up to 08220001	