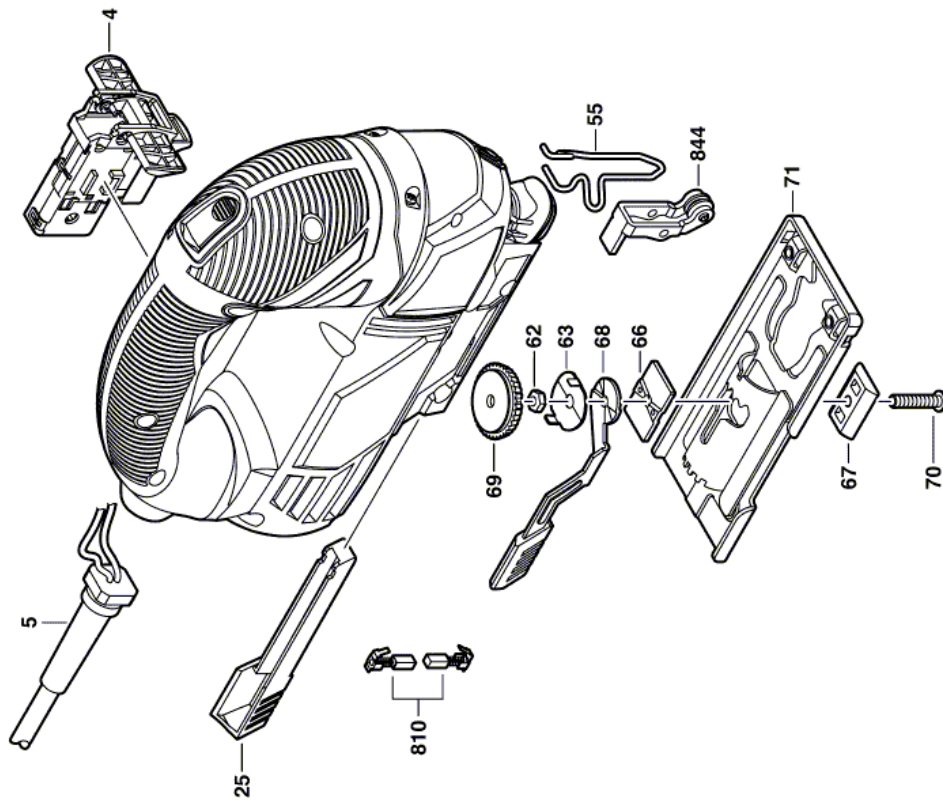


07.08.2015 |

Jig Saw - F 012 439 501 - 4395

Item	Part Number	Description	Illustration	Price	Quantity	Price Group
4	1 619 X02 720	Switch	1	-,-	1	24
5	1 619 X00 506	Power supply cord	1	-,-	1	-
25	1 619 X02 726	Cover	1	-,-	1	11
55	1 619 X02 731	Protection	1	-,-	1	12
62	1 619 X02 733	Nut	1	-,-	1	10
63	1 619 X02 734	Spring	1	-,-	1	11
66	1 619 X02 736	Plate	1	-,-	1	12
67	1 619 X02 737	Lock	1	-,-	1	12
68	1 619 X02 738	Tensioning Lever	1	-,-	1	13
69	1 619 X02 739	Thumbwheel	1	-,-	1	12
70	1 619 X06 089	Screw	1	-,-	1	-
71	1 619 X02 728	Plate	1	-,-	1	19
810	1 619 X03 193	Carbon-Brush Set	1	-,-	1	17
844	1 619 X00 923	Roller Guide	1	-,-	1	20

Illustration - Type E



F 012 449 500
Stand }
Issue } 09-02-05

Fig./Abb. 1

Änderungen vorbehalten
Modifications reserved
Modificacions reserves
Salvo modificaciones

Information subject to change without further notice.