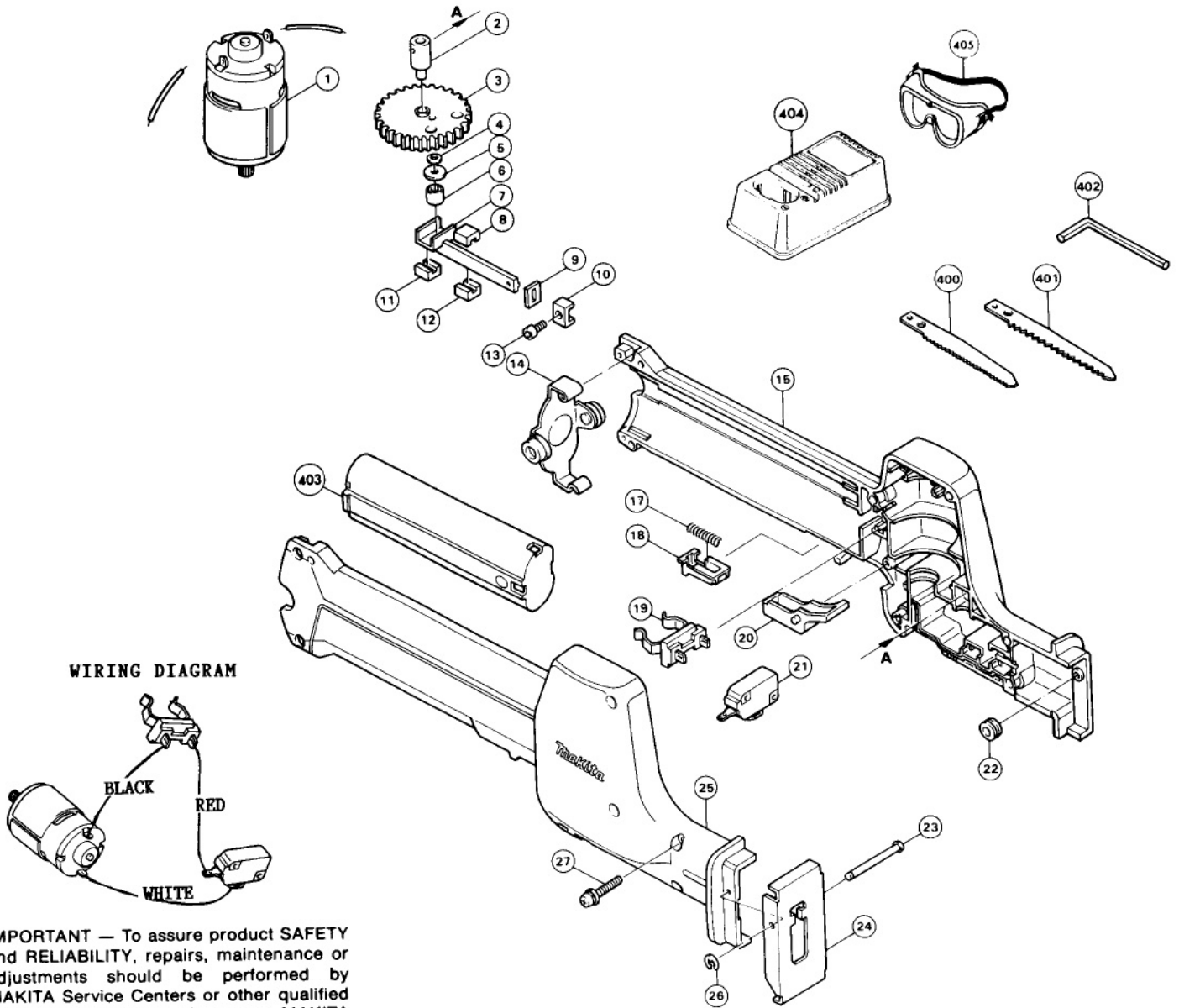


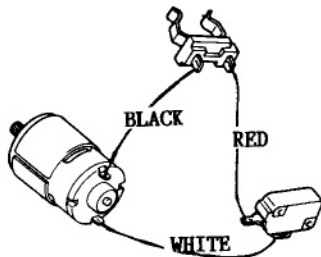


# CORDLESS RECIPRO SAW

Model 4390D  
Model 4390DW



**WIRING DIAGRAM**



**IMPORTANT** — To assure product **SAFETY** and **RELIABILITY**, repairs, maintenance or adjustments should be performed by **MAKITA** Service Centers or other qualified service organizations. Always use **MAKITA** replacement parts.

Fig.	Part No.	Qty. Used	Description	Fig.	Part No.	Qty. Used	Description
1	*	1	DC MOTOR 9.6V	19	643909-9	1	BATTERY HOLDER
2	152272-4	1	SUPPORTER	20	410972-5	1	TRIGGER
3	*	1	GEAR	21	651862-5	1	SWITCH
4	253307-5	3	THIN WASHER 4	22	322099-8	1	ROLLER
5	253874-0	1	FLAT WASHER 4	23	256654-3	1	PIN 4
6	212014-9	1	NEEDLE BEARING 407	24	**	1	SHOE
7	**	1	SLIDER	25	**	1	HOUSING SET (INCL. FIG. 15)
8	214020-0	1	PLANE BEARING 3	26	961017-7	1	STOP RING E-3
9	**	0	FELT	27	911143-2	8	PAN HEAD SCREW M4X22
10	**	0	BLADE SET	<b>ACCESSORIES</b>			
11	214020-0	1	PLANE BEARING 3	400	792540-9	1	RECIPRO SAW BLADE 71 (MILD STEEL)
12	214020-0	1	PLANE BEARING 3	401	792541-7	1	RECIPRO SAW BLADE 78 (WOOD)
13	922107-1	1	HEX. SOCKET HEAD BOLT M4X8	402	783201-2	1	HEX. WRENCH 3
14	163157-9	1	SET PLATE	403	632007-4	1	BATTERY (9.6V)
15	**	1	HOUSING SET (INCL. FIG. 25)	404	113103-2	1	1 HOUR CHARGER
17	231390-2	1	COMPRESSION SPRING 3	405	191686-2	1	SAFETY GOGGLES
18	414169-8	1	LOCK OFF LEVER				

SERVICE CHANGE

1. Change on Motor and Housing.

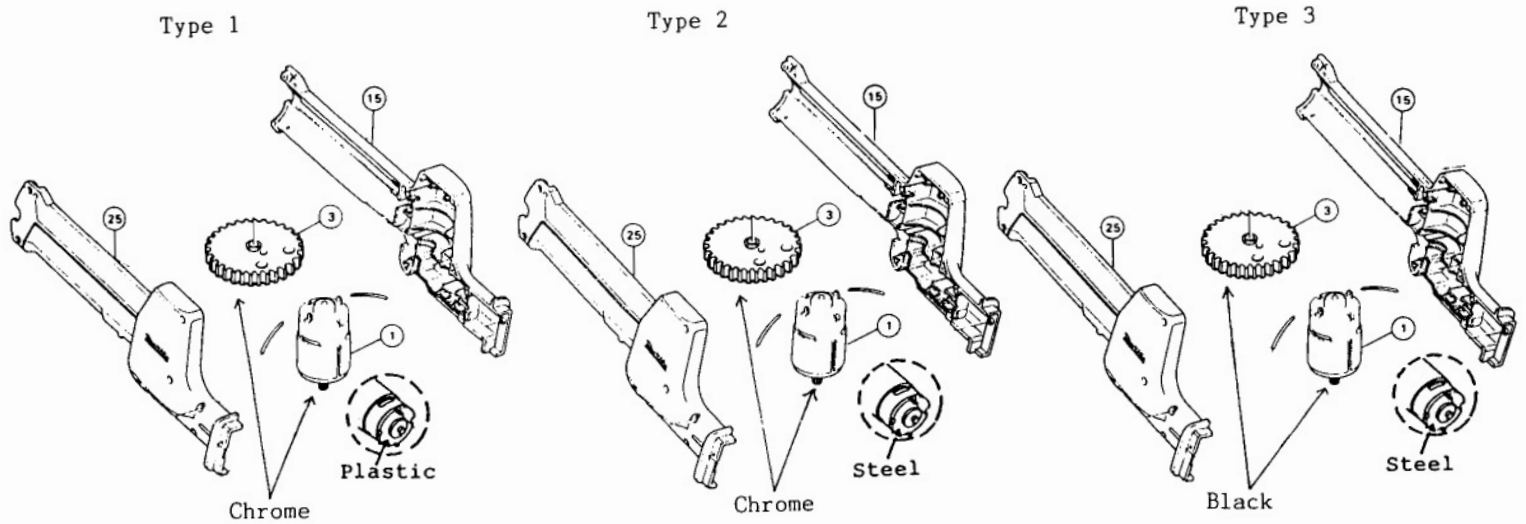
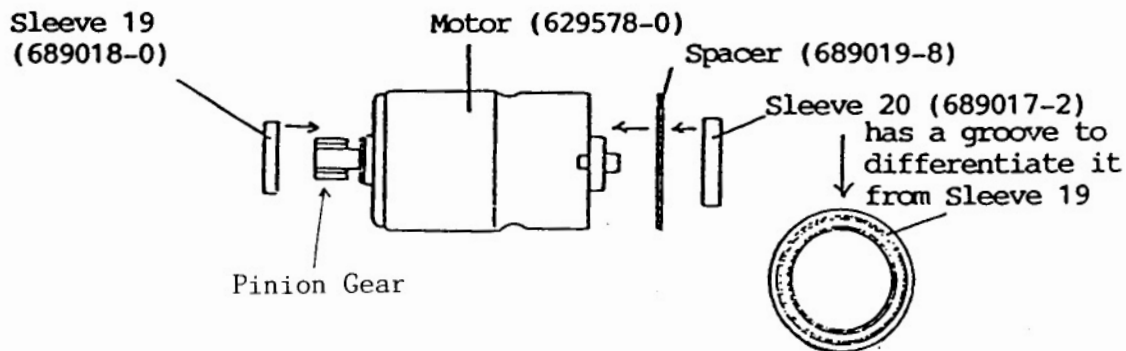


Fig.	Description	Type 1	Type 2	Type 3
1	Motor	Part #629544-7 (Discontinued)	Part #629578-0 (Discontinued)	Part #629581-1 w/ Pinion Gear (221882-9)
3	Gear	Part #153157-7 (Discontinued)		Part #153202-8
15 25	Housing Set	Part #181971-1 (Discontinued)	Part #182136-8 <b>SEE SERVICE CHANGE 2</b>	

The above parts are completely interchangeable as a set.

SERVICE NOTE

1. Type 2 Motor fits Type 1 Housing when below parts are added.



2. Type 2 Motor can be used with Type 3 Gear by replacing Pinion Gear on Motor (Part #221920-7) to Type 3 Motor's Pinion Gear (Part #221882-9).

**SERVICE CHANGE**

2. Change on Slider, Shoe, and Housing from S/N 599231E for 4390D, and S/N 41916E for 4390DW.

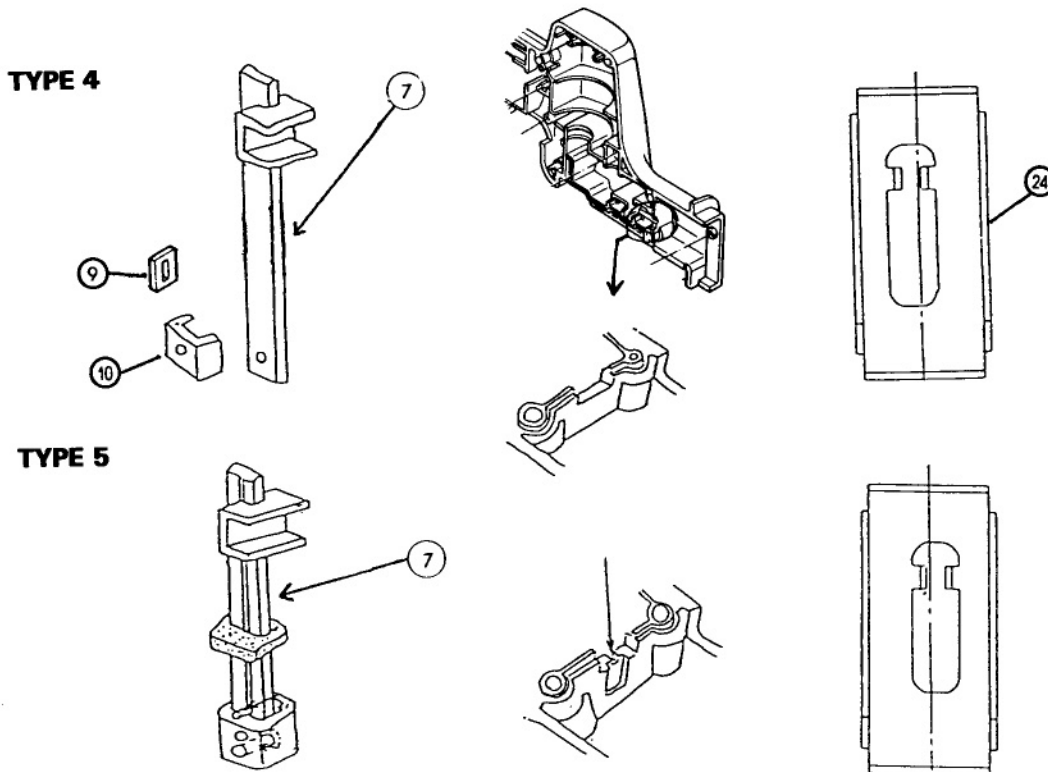


FIG.	DESCRIPTION	TYPE 4	TYPE 5
9	Felt	Part #443063-7	-----
10	Blade Set	Part #331211-9	-----
7	Slider	Part #164774-8	Part #154401-5 (w/blade clamp 313057-5)
15	Housing Set	Part #182136-8 (Discontinued)	Part #182406-5
25		Part #343456-7 (Discontinued)	Part #343875-7
24	Shoe		

The above parts are interchangeable as a set, except Type 5 housing replaces Type 4 housing individually.