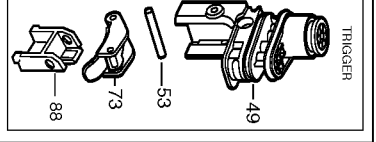
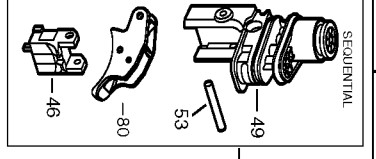
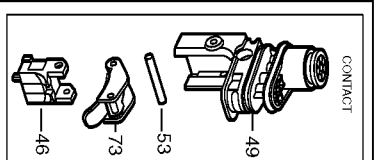
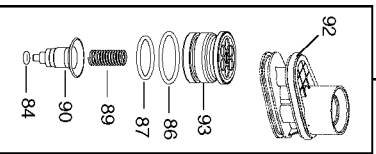
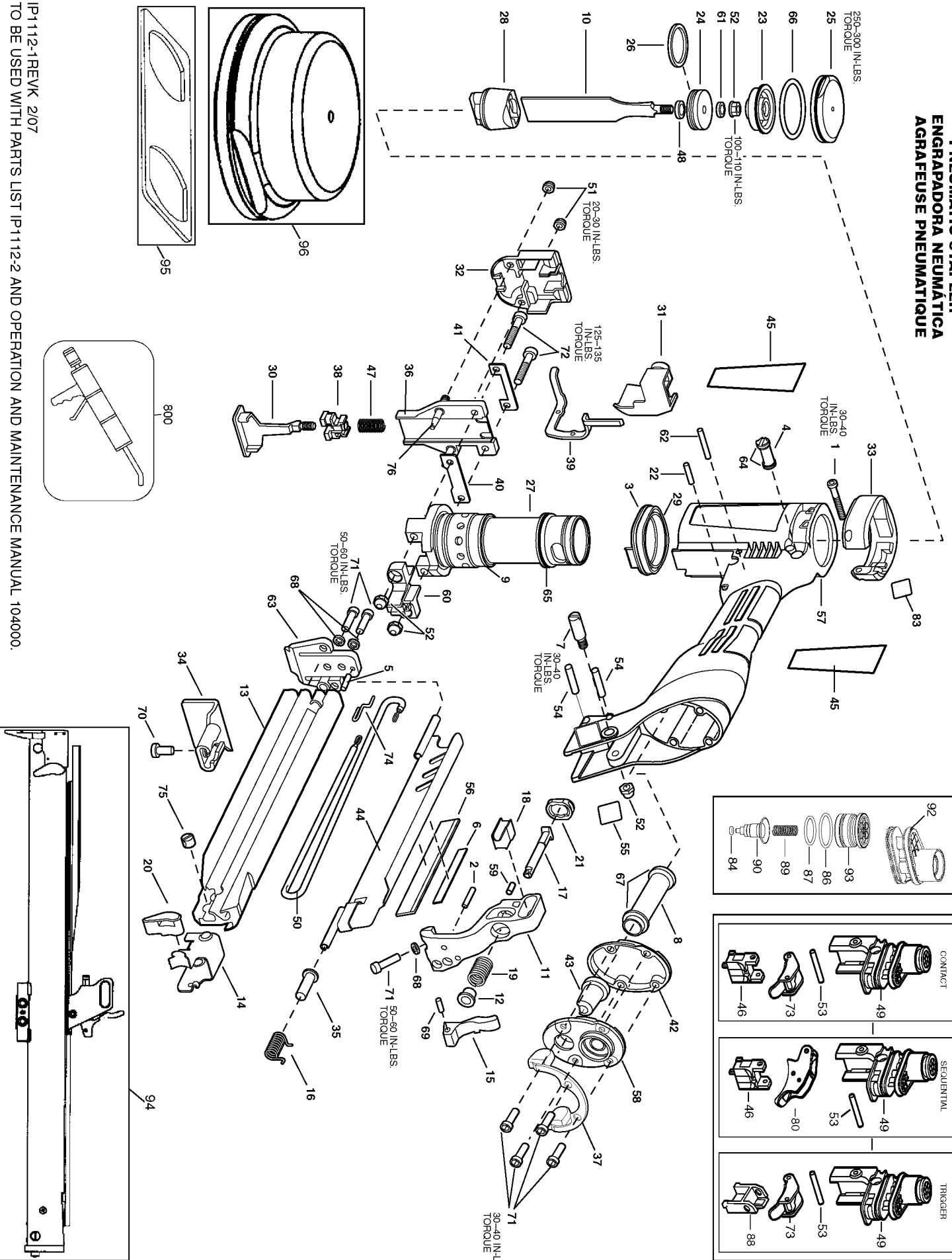


438S2R

PNEUMATIC STAPLER
 ENGRAPADORA NEUMÁTICA
 AGRAFEUSE PNEUMÁTICA



IP1112-1REV. 2/07
 TO BE USED WITH PARTS LIST IP1112-2 AND OPERATION AND MAINTENANCE MANUAL 104000.

Parts List for 438S2R-1 Type 0

Item Number	Part Number	Description	Qty Required
1	100258	SCREW	1
2	100263	PIN-SPIROL-M4X14MM	1
3	100279	O-RING-1.612X.103	1
4	101525	VALVE-ENERGY CONTROL	1
5	102044	PIN-SPIROL 3MMX16MM	1
6	102167	LABEL	1
7	102168	SCREW-SPECIAL (MAGAZ	1
8	103208	TUBE-EXHAUST	1
9	103211	SEAL-CHECK	1
10	103214	DRIVER-(1IN)	1
11	103217	BRACKET-MAGAZINE	1
12	103218	BUSHING-TOGGLE PIN	1
13	103219	ASSEMBLY-MAGAZINE 1.	1
14	103222	PUSHER (1IN)	1
15	103447	TOGGLE-MAGAZINE	1
16	103549	SPRING-COVER	1
17	103558	LATCH-MAGAZINE	1
18	103601	SLEEVE-BRACKET	1
19	103770	SPRING-COMPRESSION	1
20	103791	HANDLE-PUSHER	1
21	103795	DISC-LATCH STOP	1
22	103858	PIN-SPRING-4X20MM	1
23	103993	BUMPER-TOP L/P	1
24	103994	PISTON	1
25	103995	CAP-SLEEVE L/P	1
26	166045	RING-PISTON	1
27	103997	SLEEVE-CYLINDER-L/P	1

Parts List for 438S2R-1 Type 0

Item Number	Part Number	Description	Qty Required
28	103998	BUMPER-LOWER L/P (1/	1
29	103999	BULKHEAD-SLEEVE - L/	1
30	104025	TRIP-ROOFING	1
31	104027	COVER-TRIP L/P	1
32	104931	CASTING-NOSE COVER	1
33	104064	PROTECTOR-FRONT FRAM	1
34	104066	SHINGLE GUIDE ASSY	1
35	104067	BUSHING-MAGAZINE COV	1
36	160198	NOSE-S2	1
37	104072	PROTECTOR-REAR FRAME	1
38	104339	ADJUSTER-TRIP	1
39	104623	ARM-UPPER CONTACT	1
40	104974	WEARPLATE (1IN)	1
41	104975	PLATE-NOSE	1
42	105057	GASKET-END CAP L/P	1
43	105070	EXHAUST DEFLECTOR	1
44	105073	COVER-MAGAZINE	1
46	105932	ARM GUIDE ASSEMBLY	1
47	105934	SPRING-COMPRESSION	1
48	105959	WASHER-PISTON	1
49	TVA12	KIT-STANDARD MODULE	1
50	106051	SPRING-EXTENSION	1
51	MHE5080-100	NUT-NYLON M5X.80	2
52	MHE6100-100	NUT-ESN M6X1	4
53	106058	PIN-SPRING-M3X32	1
54	106059	PIN-ROLL-M4X30MM	2
55	106097	LABEL-PATENT	1

Parts List for 438S2R-1 Type 0

Item Number	Part Number	Description	Qty Required
56	158612	LABEL-WARNING	1
57	166984	FRAME	1
58	106292	CAP-END L/P	1
59	106334	PIN-SPIRAL 4X10MM	1
60	106474	TOP GUIDE	1
61	106691	WASHER-SPECIAL M6	1
62	106871	PIN-SPRING 4X32MM	1
63	107072	TIP CORE (1.5IN)	1
64	107129	O-RING-.268X.075	2
65	850607	O-RING	1
66	850628	O-RING-1.734X.139	1
67	851554	O-RING-.703X.103	2
68	MLW5	WASHER-HSLW M5	2
69	MPG030012	PIN SPRING	1
70	MSB5080-10	SCREW-SBHCS-M5X0.80X	1
71	MSC5080-20	SCREW-SOC HD. CAP M5	7
72	MSC6100-35	SCREW-SHCS-M6X1.00X3	2
73	CNTK2	KIT-CONTACT TRIP CON	1
74	T50078	ANCHOR-PUSHER SPRING	1
75	T60024	PIN-SPECIAL(MAG NUT)	1
76	104069	PIN-NOSE	1
80	SEQ6	KIT-SEQUENTIAL	1
82	100387	SPRING-COMPRESSION	1
83	110009	LABEL-POWER VALVE	1
84	105996	O-RING-.087X.059	1
86	167205	ASSEMBLY-HEAD VALVE	1
87	102163	O-RING-.591X.059	1

Parts List for 438S2R-1 Type 0

Item Number	Part Number	Description	Qty Required
88	106173	STOP-TRIGGER	1
89	101540	SPRING-COMPRESSION	1
90	101533	SEAL-EXHAUST	1
91	101532-S	BOSTITCH SEAL	1
92	108467	O-RING-1.237X.103	1
93	102164	O-RING-.728X.059	1
94	000000-00	No Longer Available	1
95	106427	WRENCH-SLEEVE CAP	1
96	112604	CAP-WEIGHT-L/P	1
800	100679	LUBE (1LB.CAN)	1
800	100653	LUBE (2CC)	1