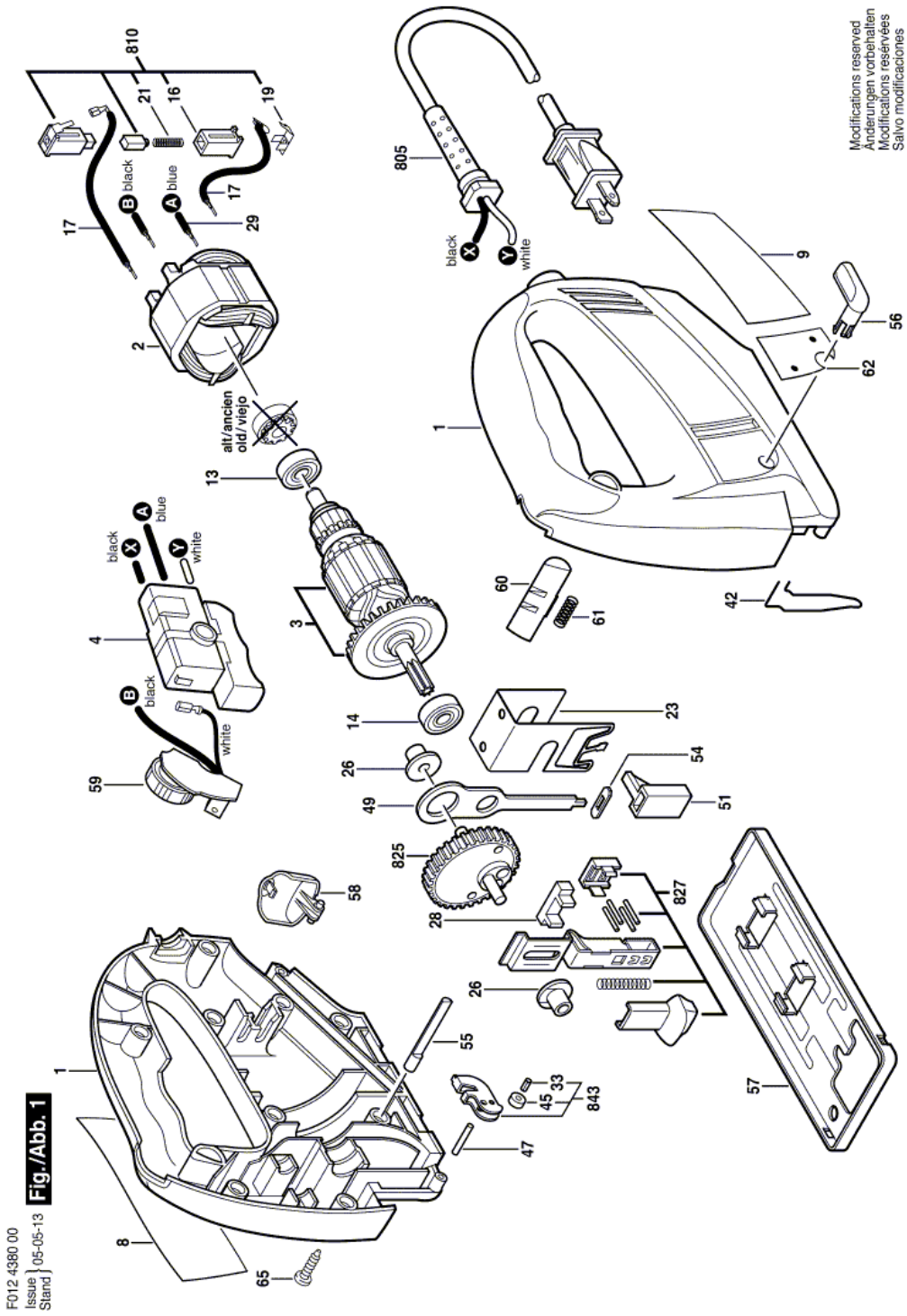


Pendulum jigsaw - F 012 438 000 - 4380

Item	Part Number	Description	Illustration	Price	Quantity	Price Group
1	2 610 910 667	Housing	1	-,-	1	-
2	1 619 P00 498	Field 120V	1	-,-	1	-
3	1 619 P00 736	Armature 120V	1	-,-	1	30
4	2 607 200 559	On-Off Switch	1	-,-	1	-
8	1 619 X00 073	Nameplate	1	-,-	1	-
9	2 610 910 629	Reference Plate	1	-,-	1	-
13	2 610 001 147	Ball Bearing	1	-,-	1	-
14	2 610 001 147	Ball Bearing	1	-,-	1	-
16	2 610 320 548	Brush Holder	1	-,-	2	13
17	2 610 968 496	Cable 40 MM	1	-,-	2	-
19	2 610 329 896	Terminal	1	-,-	2	11
21	2 610 329 898	Strip brush	1	-,-	2	11
23	2 610 912 488	Bracket	1	-,-	1	-
26	2 610 912 577	Bushing	1	-,-	2	-
28	2 610 913 320	Bushing	1	-,-	1	-
29	2 610 912 732	Connecting Cable	1	-,-	2	-
33	2 610 914 021	Bolt	1	-,-	1	-
42	2 610 912 487	Protection	1	-,-	1	11
45	2 610 916 611	Roller	1	-,-	1	-
47	2 610 913 142	Dowel pin	1	-,-	1	11
49	2 610 912 484	Pusher	1	-,-	1	-
51	2 610 912 586	Sleeve	1	-,-	1	-
54	2 610 912 602	Felt	1	-,-	1	11
55	2 610 917 688	Shaft	1	-,-	1	-
56	2 610 912 585	Lever	1	-,-	1	-
57	2 610 921 397	Base Plate	1	-,-	1	-
58	2 610 910 961	Flap	1	-,-	1	-
59	1 607 233 163	Electronic Speed Switch	1	-,-	1	-
60	2 610 910 964	Button	1	-,-	1	-
61	1 619 X01 041	Button Spring	1	-,-	1	10
62	2 610 910 647	Label	1	-,-	1	-
65	2 610 315 386	Screw ST3,9x19	1	-,-	9	11
805	1 619 X00 506	Power supply cord	1	-,-	1	-

Item	Part Number	Description	Illustration	Price	Quantity	Price Group
810	2 609 120 199	Carbon-Brush Set	1	-,-	1	22
825	2 610 912 741	Gear	1	-,-	1	-
827	2 610 912 739	Blade Holder	1	-,-	1	25
843	2 610 915 062	Support bracket	1	-,-	1	20

Illustration - Type E



Information subject to change without further notice.