

Rotary tool - F 013 430 000 - 4300

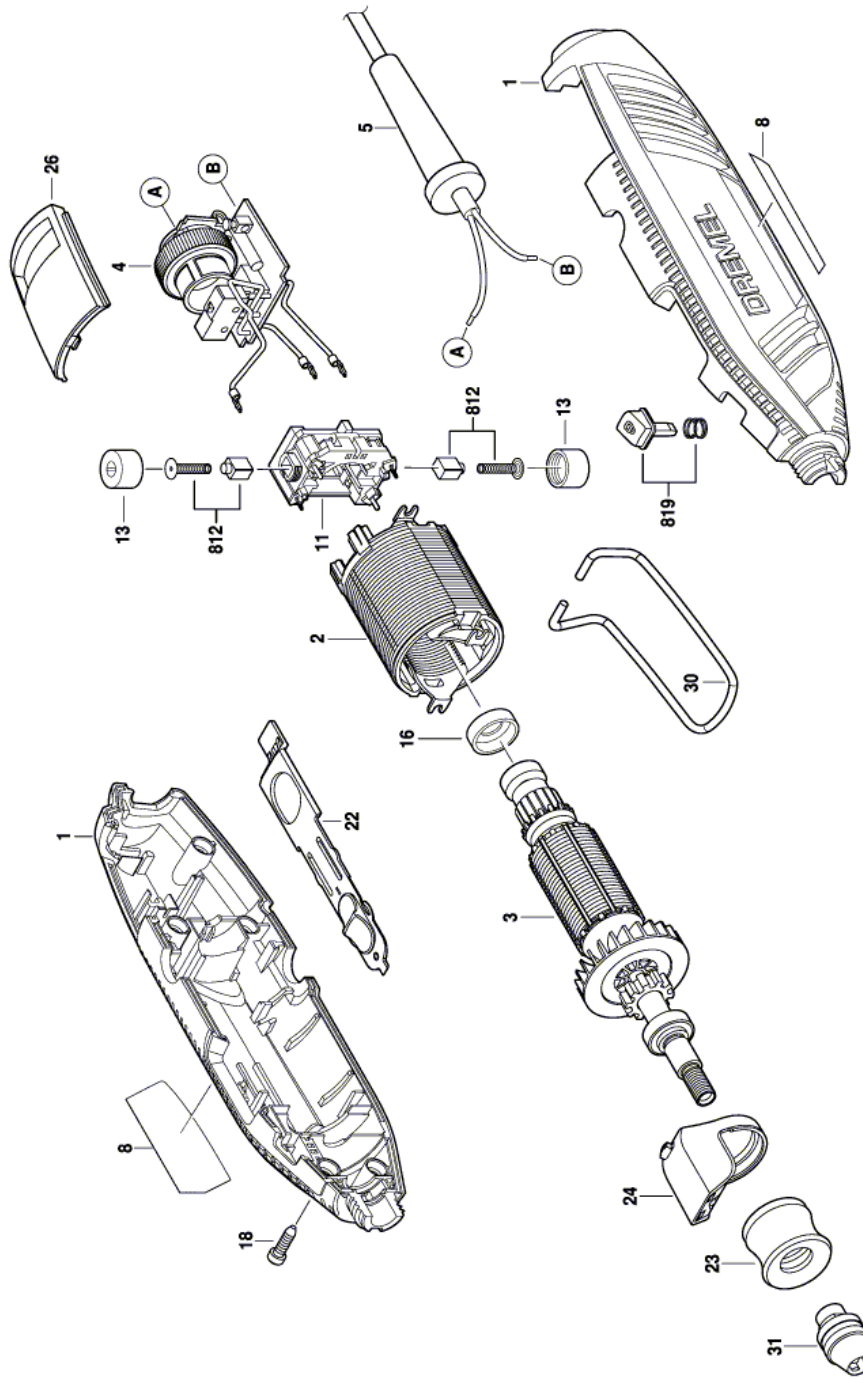
www.powertools-aftersaleservice.com



BOSCH

| Item | Part Number | Description | Illustration | Price | Quantity | Price Group |
|------|---------------|---------------------------|--------------|-------|----------|-------------|
| 1 | 1 605 806 5AX | Housing | 1 | -,- | 1 | 26 |
| 2 | 1 604 220 55R | Field | 1 | -,- | 1 | 24 |
| 3 | 1 604 010 B68 | Armature | 1 | -,- | 1 | - |
| 4 | 1 600 A00 DS8 | Electronic Assembly | 1 | -,- | 1 | 33 |
| 5 | 2 610 005 557 | Power supply cord | 1 | -,- | 1 | - |
| 8 | 6 082 942 9KW | Nameplate | 1 | -,- | 1 | - |
| 11 | 2 610 024 720 | Brush Holder | 1 | -,- | 1 | 22 |
| 13 | 2 610 009 812 | Brush-Cover | 1 | -,- | 2 | 10 |
| 16 | 1 600 A01 1H1 | Boot | 1 | -,- | 1 | 10 |
| 18 | 2 615 294 035 | Cross Recessed-Head Screw | 1 | -,- | 5 | 11 |
| 22 | 1 600 A00 DM4 | Guide Lever | 1 | -,- | 1 | 11 |
| 23 | 1 600 A00 H7T | Nose | 1 | -,- | 1 | 15 |
| 24 | 1 600 A00 9P2 | Light attachment | 1 | -,- | 1 | 25 |
| 26 | 1 605 806 5BV | Cover | 1 | -,- | 1 | 13 |
| 30 | 1 600 A00 E0C | Suspension Loop | 1 | -,- | 1 | 10 |
| 31 | 2 615 302 747 | Chuck | 1 | -,- | 1 | 23 |
| 812 | 2 610 024 715 | Brush-Spring Set | 1 | -,- | 1 | 18 |
| 819 | 2 610 044 951 | shaft lock | 1 | -,- | 1 | 14 |

Illustration - Type E



Modifications reserved
Änderungen vorbehalten
Modifications réservées
Salvo modificaciones

F 013 430 000
Issue } 16-11-22
Stand } **Fig./Abb. 1**

Information subject to change without further notice.