

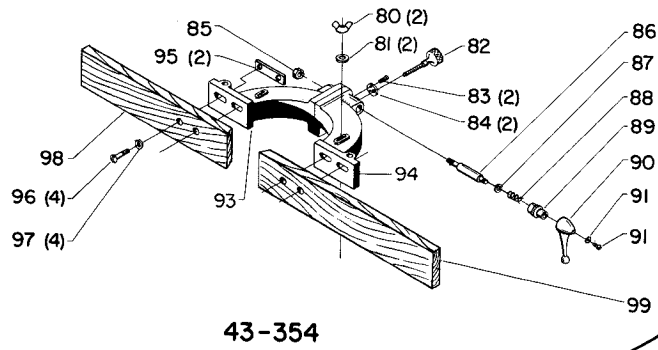
# Replacement Parts

Ref. No.	Part No.	Description	Ref. No.	Part No.	Description
1	432-02-403-5001	Flange Ass'y.	45	432-02-412-5001	Raising Scr. Ass'y.
2	904-02-020-1705	1/2" Lockwasher	46	904-10-031-4514	Collar
3	901-01-060-0672	1/2-20 X 1-1/4" HHCS	47	920-04-010-7273	Ball Bearing
4	432-02-312-5001	Spld. Housing, Incl:	48	904-01-010-1620	Washer
5	901-04-020-0302	5/16-18 X 1/2" Sq. HSS	49	901-01-060-0605	5/16-18 X 1/2" HHCS
6	432-02-105-5002	Raising Nut	50	901-01-060-3101	7/16-14 X 3" HHCS
7	432-02-104-5001	Pointer Spacer	51	904-02-010-1716	7/16" Lockwasher
8	422-04-075-5001	Pointer	52	432-02-314-0001	Adj. Scr. Brkt., Incl:
9	901-02-060-0915	1/4-20 X 3-1/2" R.H. Bolt	53	920-75-011-2794	9/16" ID Bushing (SEE B)
10	932-01-010-2860	Rubber Bushing	54	920-75-011-3933	5/16" ID Bushing (SEE B)
11	432-02-079-5001	Bushing Retainer	55	432-02-406-5001	Pointer Shaft, Incl:
12	43-937	3/4" Spld., Incl:	56	422-04-074-5001	Lock Pin
13	902-01-131-3082	3/4" Spec. Spld. Nut	57	905-03-010-2431	#4 X 1/4" Taper Pin
14	904-05-010-6662	Spec. Spindle L.W.	58	422-04-412-5001	Lock Knob
15	904-10-031-4506	1/2" Collar	59	904-07-010-5565	Spec. Fiber Washer
16	904-10-031-4507	3/4" Collar	60	432-02-031-5002	Flange
17	904-10-031-4508	1" Collar	61	901-02-551-2858	#10-32 X 7/16" Spec. Fil. H.S.
18	432-02-385-0002	Sleeve Ass'y., Incl:	62	904-07-010-5569	Fiber Washer
19	926-01-051-2308	Pulley	63	930-03-991-3524	Hdwl. Ass'y., Incl:
20	927-01-100-2606	1/8 X 5/8" Hi-Pro Key	64	901-04-190-0201	5/16-18 X 5/16" HHSSS
21	904-05-010-6663	Spec. Lockwasher	65	927-03-010-2650	Key
22	902-07-030-7171	Spec. Hex Nut	66	194	Hex Wrench for 5/16" HSSS (Early Models Only)
23	952-01-111-3261	Tie Rod			
24	902-01-201-2584	Tie Rod Nut	67	955-01-050-1467	1-1/16" Open End and 5/8"-Hex Box Wrench
25	904-02-020-1704	3/8" Lockwasher			
26	901-01-060-0646	3/8-16 X 2" HHCS	68	955-01-020-0023	9/16 X 7/8" Box Wrench
27	432-02-110-5001	Hex Guide Post	69	955-01-020-0022	7/16 X 9/16" H. Box Wrench
28	904-01-031-2905	Washer	70	43-347	1/2" Spindle, Incl:
29	901-01-060-0685	1/2-20 X 5" HHCS	71	904-05-010-1646	Spec. Keyed L.W.
30	902-01-020-5438	7/16"-14 Hex Jam Nut	72	902-01-201-2575	Spec. Nut
31	901-09-070-6133	Stop Screw	73	43-828	1" Spindle Cartridge Ass'y., (43-351 Only), Incl:
32	432-02-016-5001	Rubber Bumper			
33	432-02-005-5001	Motor Plate (SEE A)	74	904-05-010-6674	Keyed Lock Washer (43-351 Only)
34	434-01-404-0001	Set Collar, Incl:	75	902-01-201-8553	Spindle Nut (43-351 Only)
35	901-04-190-0201	5/16-18 X 5/16" HSSS	76	400-06-079-0001	Retainer
36	905-05-040-2106	1/8 X 1-1/4" Cotter Pin	77	400-06-603-0001	Envelope
37	432-02-108-5001	Steel Pin	*	49-287	V-Belt (Machs. prior to Ser #EC-7415) (SEE A)
38	901-11-020-0830	5/16 x 1-1/4" Car. Bolt	*	41-134	7-1/2" dia., 3/4" Bore Motor Pulley, (Machs. was prior to Ser #EC-7415) (SEE A), Incl:
39	904-10-031-3810	Washer			
40	904-02-010-1703	5/16" Lockwasher			
41	902-01-010-1300	5/16"-18 Hex Nut			
42	901-02-010-0509	1/4-20 X 1/2" R.H.M.S.	*	901-04-150-0206	5/16-18 X 5/16" HSSS
43	904-02-020-1702	1/4" Lockwasher	*	41-136	7-1/2" dia., 5/8" Bore Motor Pulley (Ser #EC-7415 & Higher) (SEE A), Incl:
44	432-02-031-5001	Cover Plate	*	901-04-150-0206	5/16-18 X 5/16" HSSS
			*	41-140	7-1/2" dia., 7/8" Bore Motor Pulley (Ser #EC-7415 & Higher) (SEE A), Incl:
			*	901-04-150-0206	5/16-18 X 5/16" HSSS
			*	49-101	V-Belt (Ser #EC-7415 & Higher) (SEE A)
			*		NOT SHOWN

**SERVICE NOTES:**

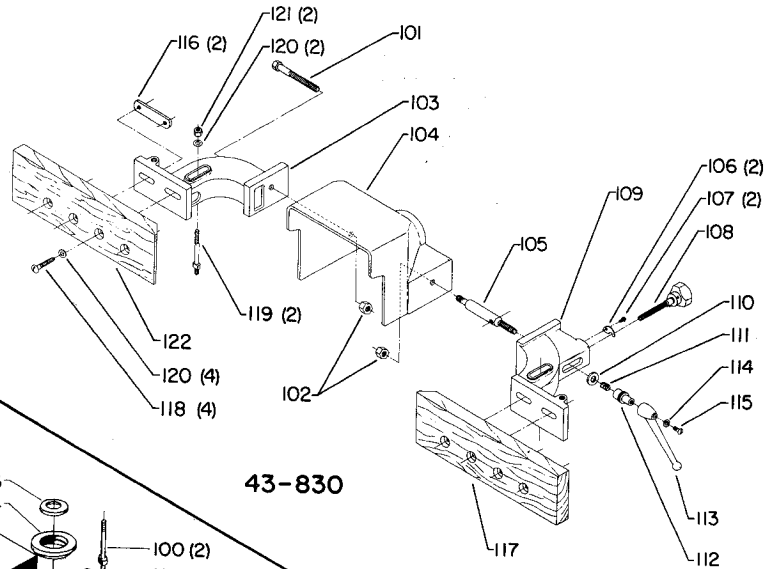
- A The old style motor plate is used with the Delta #8-1/2 frame motor used on machines with serial numbers prior to Serial #EC-7415. Cat. #41-134, 7-1/2" dia. 3/4" Bore Motor Pulley and Cat. #49-287, V-Belt, should be used with this motor plate. The revised motor plate is used on machines with Serial # EC-7415 and higher. This new motor plate is designed to be used with either the old style Delta 8-1/2 frame motor or the new factory mounted motors and controls.
- B Replacement bushings are furnished undersize and must be reamed to fit after installation

### FENCE ASS'Y. - EARLY MODELS

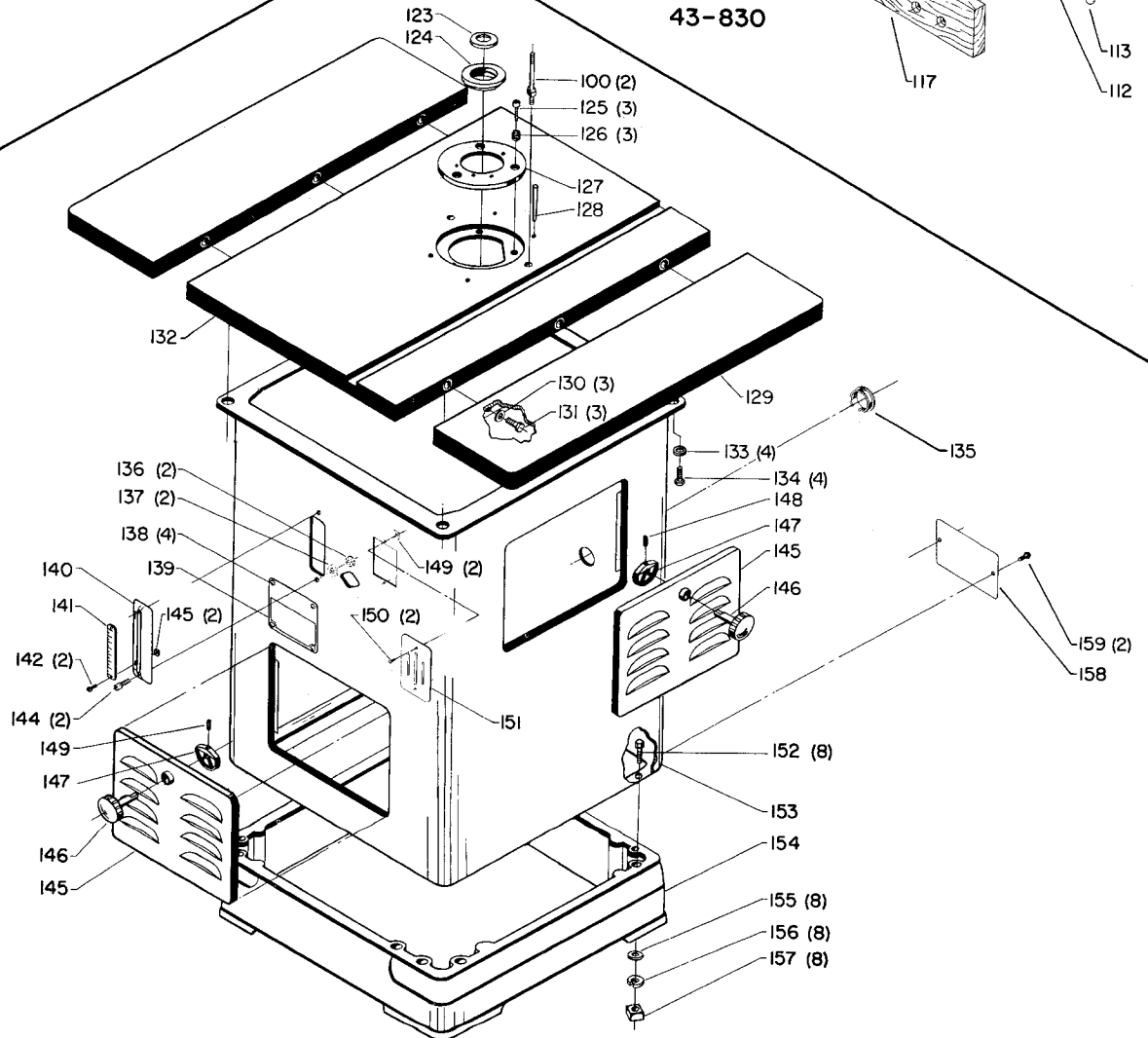


43-354

### FENCE ASS'Y. - CURRENT MODELS



43-830



## Replacement Parts

Ref. No.	Part No.	Description	Ref. No.	Part No.	Description
*	43-354	Fence Ass'y. (Early Models), Inc:	123	432-01-063-0001	Small Table Insert
80	902-04-010-1403	5/16"-18 Wing Nut	124	432-02-063-5001	Table Insert
81	904-01-031-2937	Washer	125	901-02-050-0725	1/4-20 X 1" Fil. Hd. Cap Scr.
82	1087647	Adj. Screw	126	432-02-112-5002	Spec. Scr. for Insert
83	901-02-010-0551	#10-32 X 1/4" R.H.M.S.	127	432-02-089-5006	Support
84	432-01-047-0001	Half Dollar	128	905-03-010-2422	#6 X 2-3/4" Taper Pin
85	902-01-100-1002	7/16"-14 Hex Jam Nut	129	43-349	Ext. Table, Incl:
86	432-01-111-0001	Clamp Stud	130	904-02-010-1716	7/16" Lockwasher
87	904-10-031-2097	Spec. Washer	131	901-01-060-0664	7/16-20 X 1" HHCS
88	928-01-021-4125	Coil Spring	132	432-02-091-5001	Table
89	432-01-027-0004	Serrated Nut	133	904-10-031-2097	Spec. Washer
90	931-04-010-3635	Clamp Handle	134	901-01-060-0680	7/16-20 X 3/4" HHCS
91	904-01-010-1603	Washer	135	438-01-011-0020	Insulator
92	901-02-010-0509	1/4-20 X 1/2" R.H.M.S.	136	902-01-120-1034	1/4"-20 Hex Nut
93	432-01-089-0007	Main Casting L.H.	137	904-03-030-1757	1/4" Ext. Tooth L.W.
94	432-01-089-0009	Main Casting R.H.	138	901-06-450-2250	#4 X 3/16" Drive Scr.
95	432-01-004-0001	Clamp Plate	139	Nameplate	By Request Only
96	901-02-010-0523	5/16-18 X 1-1/2" R.H.M.S.	140	432-02-014-5002	Scale Plate
97	904-01-010-1620	Washer	141	951-02-010-7825	Scale
98	432-02-043-5001	Wood Fence L.H.	142	901-02-010-0565	#6-32 X 5/16" R.H.M.S.
99	432-02-043-5002	Wood Fence R.H.	143	902-02-040-1301	#6-32 Sq. Nut
100	432-01-111-0003	Clamp Stud	144	901-02-050-0710	1/4-20 X 7/8" Fil. HCS
*	43-830	Fence Ass'y. (Current Models), Incl:	145	422-04-403-5001	Cabinet Door
101	901-01-060-0633	7/16-14 X 3-1/4" HHS	146	422-04-406-5004	Door Lock Pin
102	902-01-201-2579	7/16-14 Hex Nut	147	422-04-019-5001	Cam
103	432-01-089-0007	Support	148	901-04-150-0206	5/16-18 X 5/16" HSSS
104	432-02-031-0001	Cover	149	902-03-000-2954	Speed Nut
105	432-01-111-0004	Stud	150	901-02-010-0564	#6-32 X 3/8" R.H.M.S.
106	432-01-047-0001	Finger	151	402-04-031-5002	Cover
107	901-02-010-0551	#10-32 X 1/4" RHS	152	901-11-020-0830	5/16 X 1-1/4" Car. Bolt
108	1087647	Spec. Screw	153	432-02-318-5001	Cabinet
109	432-01-089-0009	Support R.H.	154	1087066	Cabinet Base
110	904-10-031-2097	Washer	155	904-01-010-1605	Washer
111	928-01-021-4125	Spring	156	904-02-010-1703	5/16" Lockwasher
112	432-01-027-0004	Clamp	157	902-02-040-1303	5/16"-18 Sq. Nut
113	931-04-010-3635	Handle	158	1087070	Plate
114	904-01-010-1603	Washer	159	901-05-211-7379	#10A X 1/2" Hex Hd. Sheet Metal Screw
115	901-02-010-0509	1/4-20 X 1/2" RHS			
116	432-01-004-0001	Bar			
117	432-02-043-0001	Fence R.H.			
118	901-02-010-0523	5/16-18 X 1-1/2" RHS			
119	432-01-111-0003	Stud			
120	904-01-031-2937	Washer			
121	902-01-010-1300	5/16-18 Hex Nut			
122	432-02-043-0002	Fence L.H.			

\* NOT SHOWN ASSEMBLED