



# SERVICE PARTS LIST

**BULLETIN NO.**  
54-14-4302

SPECIFY CATALOG NO. AND SERIAL NO. WHEN ORDERING PARTS		REVISED BULLETIN 54-14-4301	DATE Sept. '83
<b>1-1/4" TWO SPEED DRILL</b>			
<b>CATALOG NO. 4297-1</b>	<b>STARTING SERIAL NO. 505-14500</b>	<b>WIRING INSTRUCTION 58-01-0375</b>	
<b>CAT. NO. 4297-6</b>	<b>START SER. NO. 505-14500</b>	<b>BILINGUAL LABEL 10-98-6120</b>	

FOR CAT. NO. 4297-3 (240V) TOOLS USE:  
18-76-0070 FIELD  
16-76-0100 ARMATURE  
22-64-2740 CORD SET  
22-56-0286 STRAIN RELIEF

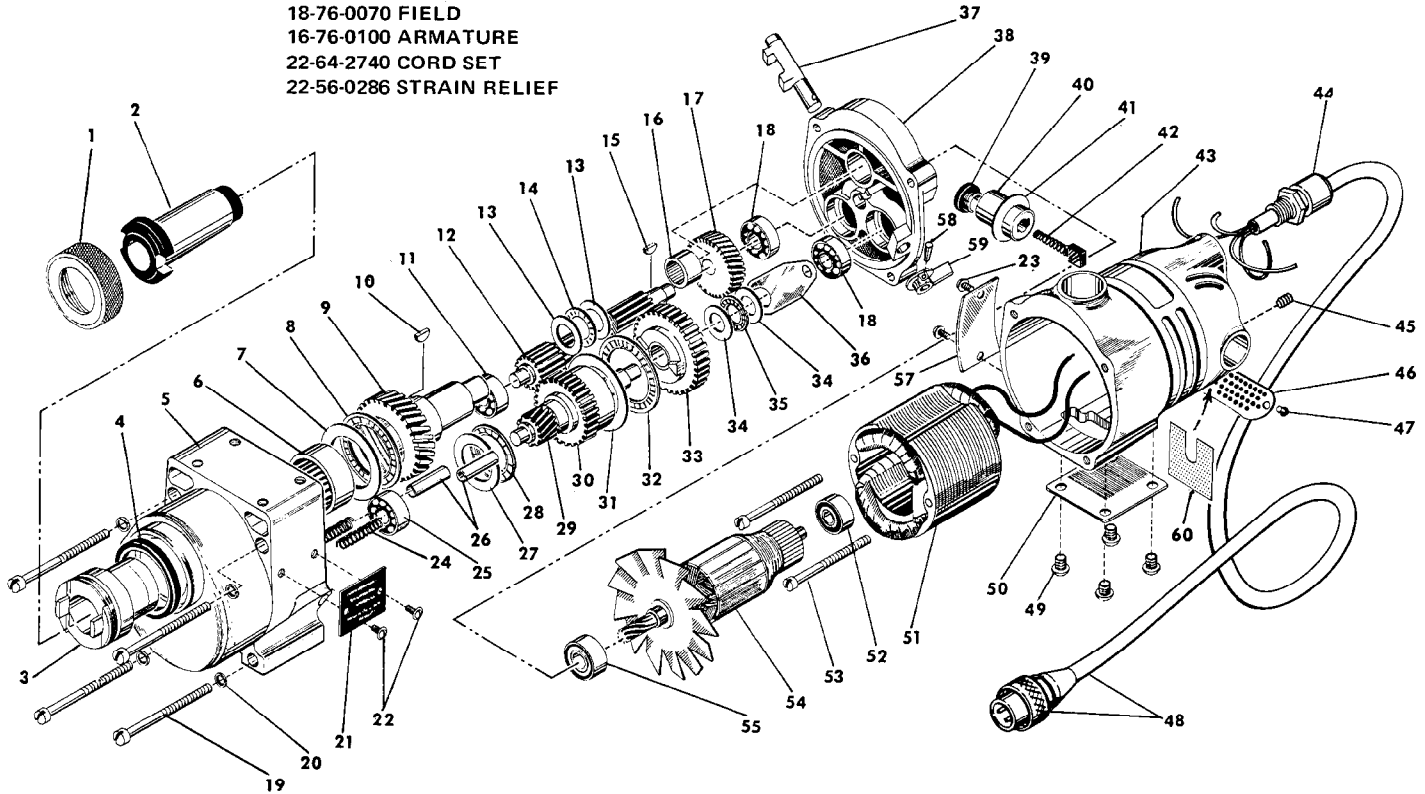


FIG.	PART NO.	DESCRIPTION OF PART	NO. REQ.	FIG.	PART NO.	DESCRIPTION OF PART	NO. REQ.
1	42-52-0050	Taper Socket Cap	(1)	31	45-88-0530	Thrust Bearing Washer	(1)
2	45-34-0050	3 Taper Socket	(1)	32	02-80-5000	Thrust Bearing	(1)
3	38-50-4651	Spindle	(1)	33	32-10-0051	Clutch Gear Assembly	(1)
4	45-06-0100	Oil Seal	(1)	34	45-88-0510	Thrust Bearing Washer	(2)
★ 5	28-14-1655	Gear Case Assy. (Includes 44-60-0320 Pivot Pin and 06-65-1535 Roll Pin)	(1)	35	02-80-1200	Thrust Bearing	(1)
6	02-50-9975	Needle Bearing	(1)	36	45-98-0090	Shifting Yoke	(1)
7	45-88-0530	Thrust Bearing Washer	(1)	★ 37	30-15-0055	Shifting Cam	(1)
8	02-80-5000	Thrust Bearing	(1)	38	28-28-1365	Diaphragm - Includes: 06-65-0680 Groove Pin	(1)
9	32-75-2581	Spindle Gear	(1)	39	23-44-0030	Brush Retaining Screw	(2)
10	06-42-2400	Woodruff Key	(1)	40	22-22-1015	Brush Holder	(2)
11	02-04-1260	Ball Bearing	(1)	41	23-86-0060	Brush Holder Washer	(2)
12	36-66-3751	Pinion Shaft Assembly	(1)	42	22-18-0055	Carbon Brush	(2)
13	45-88-0515	Thrust Washer	(2)	43	28-50-4122	Motor Housing (Incl 45-30-0110 BB Rtnng. Slug)	(1)
14	02-80-1525	Thrust Bearing	(1)	44	22-56-0280	Strain Relief	(1)
15	06-42-1600	Woodruff Key	(1)	45	06-83-2650	1/4-20x3/8 Knrl. Set Screw	(2)
16	02-50-4830	Needle Bearing	(1)	46	44-66-0180	Cover Plate	(1)
17	32-40-1581	Intermediate Gear	(1)	47	06-81-8650	6-32x1/4 Rd. Hd. Sem	(2)
18	02-04-1205	Ball Bearing	(2)	48	22-64-0740	Cord Set	(1)
19	06-81-2125	1/4-20x3-1/2 Fil. Hd. Screw	(4)	49	06-81-5000	1/4-20x3/8 Truss Hd. Screw	(4)
20	06-97-3800	Lockwasher	(4)	50	44-66-0050	Body Cover Plate	(1)
21	12-98-2105	Instruction Plate	(1)	51	18-70-0070	120 V. Field	(1)
★ 22	06-81-5789	4-40 x 1/4 Pan Hd. Taprite Screw	(2)	52	02-04-1070	Ball Bearing	(1)
23	06-85-0200	6x1/4 Rd. Hd. Type Z Screw	(2)	53	06-81-9190	10-24x2-1/4 Rd. Hd. Sem	(2)
24	40-50-6300	Shifting Spring	(2)	54	16-70-0100	120 V. Rev. Armature	(1)
25	02-04-1260	Ball Bearing	(1)	55	02-04-1260	Ball Bearing	(1)
26	44-70-0100	Shifting Plunger	(2)	▶ 56	12-98-7082	Caution Plate (Not Shown)	(1)
27	45-88-0520	Thrust Bearing Washer	(1)	57	12-99-0040	Nameplate	(1)
28	02-80-1800	Thrust Bearing	(1)	58	06-65-0840	1/8x3/4 Groove Pin	(1)
29	36-14-0071	Pinion Clutch Shaft	(1)	★ 59	28-60-0056	Shift Knob	(1)
30	32-10-0061	Clutch Gear Assembly	(1)	60	23-16-0835	Arc Insulator	(1)

▶ Omit for Canadian Tools