



SERVICE PARTS LIST

BULLETIN NO.
54-14-4205

SPECIFY CATALOG NO. AND SERIAL NO. WHEN ORDERING PARTS

REVISED BULLETIN

DATE

1-1/4" TWO SPEED DRILL

54-14-4204

April'88

CATALOG NO. 4292-1

STARTING SERIAL NO. 504-12100

WIRING INSTRUCTION

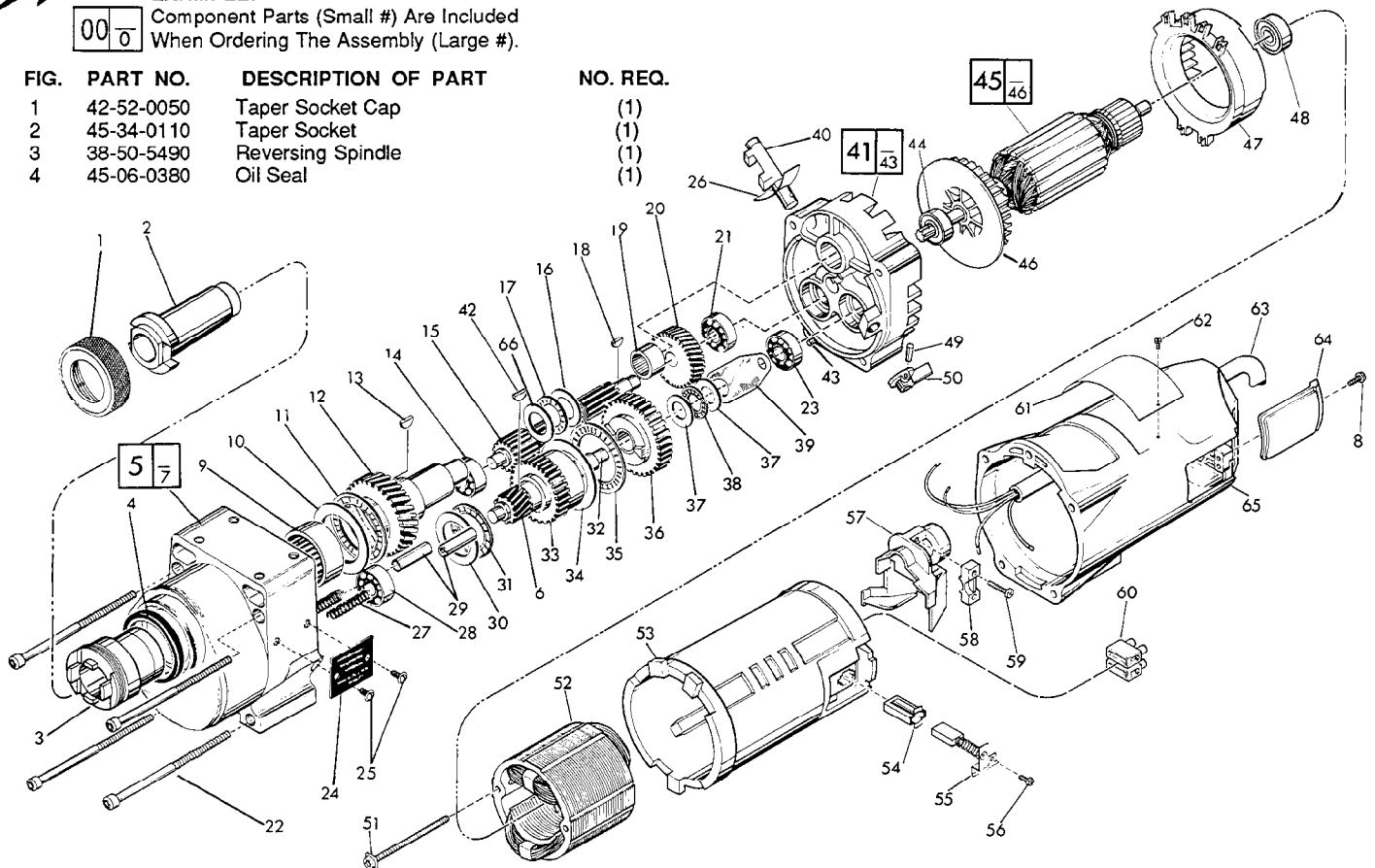
58-01-0376

EXAMPLE:

00 0

Component Parts (Small #) Are Included
When Ordering The Assembly (Large #).

FIG.	PART NO.	DESCRIPTION OF PART	NO. REQ.
1	42-52-0050	Taper Socket Cap	(1)
2	45-34-0110	Taper Socket	(1)
3	38-50-5490	Reversing Spindle	(1)
4	45-06-0380	Oil Seal	(1)



5	28-14-1880	Gear Case Assembly	(1)
6	32-60-1041	Pinion Gear	(1)
7	06-65-1535	Roll Pin (Not Shown)	(1)
8	06-82-7252	8-32x3/8" Pan Slit. Taptite Torx	(2)
9	02-50-9970	Needle Bearing	(1)
10	45-88-0530	Thrust Bearing Washer	(1)
11	02-80-5000	Thrust Bearing	(1)
12	32-75-2561	Spindle Gear	(1)
13	06-42-2400	Woodruff Key	(1)
14	02-04-1205	Ball Bearing	(1)
15	36-66-3751	Pinion Shaft Assembly	(1)
★ 16	45-88-1090	Thrust Washer	(1)
17	02-80-1525	Thrust Bearing	(1)
18	06-42-1600	Woodruff Key	(1)
19	02-50-4830	Needle Bearing	(1)
20	32-40-1581	Intermediate Gear	(1)
21	02-04-1205	Ball Bearing	(1)
22	06-82-9202	1/4-20x4-1/4" Pan Hd. Taptite Torx Scr.	(4)
23	02-04-1205	Ball Bearing	(1)
24	12-98-2105	Instruction Plate	(1)
25	06-82-5266	4-40x1/4" Pan Hd. Taptite Screw	(2)
26	45-06-0350	Gear Case Seal	(1)
27	40-50-6300	Shifting Spring	(2)
28	02-04-1205	Ball Bearing	(1)
29	44-70-0100	Shifting Plunger	(2)
30	45-88-0520	Thrust Bearing Washer	(1)
31	02-80-1800	Thrust Bearing	(1)
32	36-14-0061	Pinion Clutch Shaft	(1)
33	32-10-0061	Clutch Gear Assembly	(1)
34	45-88-0530	Thrust Bearing Washer	(1)
35	02-80-5000	Thrust Bearing	(1)
36	32-10-0051	Clutch Gear Assembly	(1)
37	45-88-0510	Thrust Bearing Washer	(1)
38	02-80-1200	Thrust Bearing	(1)
39	45-98-0090	Shifting Yoke	(1)

FIG.	PART NO.	DESCRIPTION OF PART	NO. REQ.
★ 40	30-15-0056	Shifting Cam	(1)
41	14-13-0210	Diaphragm Assembly	(1)
42	06-42-2000	Woodruff Key	(1)
43	06-65-1155	Groove Pin	(1)
44	02-04-1229	Ball Bearing	(1)
45	16-70-0375	120 V. D. I. Armature	(1)
46	22-84-0790	Fan	(1)
47	42-14-0291	Baffle	(1)
48	02-04-1041	Ball Bearing	(1)
49	06-65-0840	1/8x3/4 Groove Pin	(1)
50	28-60-0056	Shifting Knob	(1)
51	06-82-9072	10-24x2-1/8" Pan Sems Torx Screw	(2)
52	18-70-0320	120 V. Field	(1)
53	23-16-1410	Insulating Housing	(1)
54	22-20-0680	Brush Tube	(2)
★ 55	22-18-0701	Carbon Brush Assembly	(2)
56	06-82-8835	8-32x5/16" Pan Sems Torx Screw	(2)
57	22-38-0140	Wire Clamp	(1)
58	31-17-0200	Cord Clamp	(1)
59	06-82-7326	8-16x1" Pan Plast. Slit. Torx	(2)
60	22-56-0470	Terminal Block	(1)
61	12-15-9040	Nameplate	(1)
62	06-85-0200	Nameplate Screw	(2)
63	22-64-3050	120 V. Cord and Plug	(1)
64	22-32-0350	Brush Cover	(2)
65	28-50-6360	Motor Housing	(1)
★ 66	45-88-1080	Thrust Washer	(1)

FIG. LUBRICATION

5 12 Oz. Type "E" Grease, No. 49-08-4121.

FIG. NOTES

22 Apply Blue Loctite To Threads.

MILWAUKEE ELECTRIC TOOL CORPORATION
13135 W. LISBON RD., BROOKFIELD, WI 53005