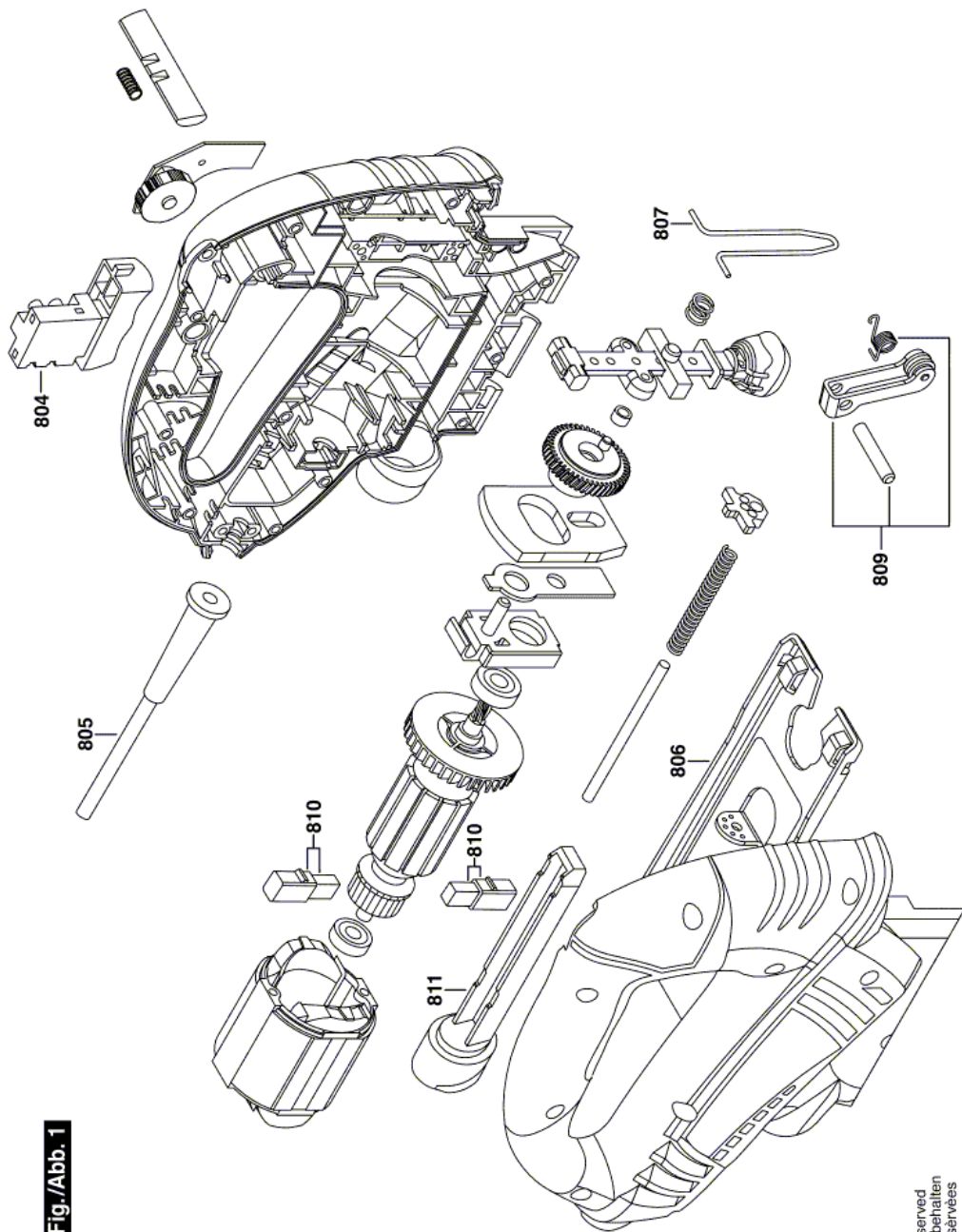


21.08.2015 |

## Jig Saw - F 012 429 000 - 4290

Item	Part Number	Description	Illustration	Price	Quantity	Price Group
804	1 619 X02 085	On-Off Switch		1	-,-	1 -
805	1 619 X02 083	Cord		1	-,-	1 -
806	1 619 X02 087	Base Plate		1	-,-	1 -
807	1 619 X02 088	Protection		1	-,-	1 -
809	1 619 X02 089	Roller Guide		1	-,-	1 -
810	1 619 X02 090	Carbon-Brush Set		1	-,-	1 -
811	1 619 X02 253	Cartridge bearing		1	-,-	1 -

Illustration - Type E



F 012 429 000  
Issue  
Stand } 07-07-24 **Fig./Abb. 1**

Modifications reserved  
Änderungen vorbehalten  
Modificaciones reservadas  
Salvo modificaciones

Information subject to change without further notice.