



SERVICE PARTS LIST

BUL.54-14-3001

1-1/4" ELECTRIC DRILL

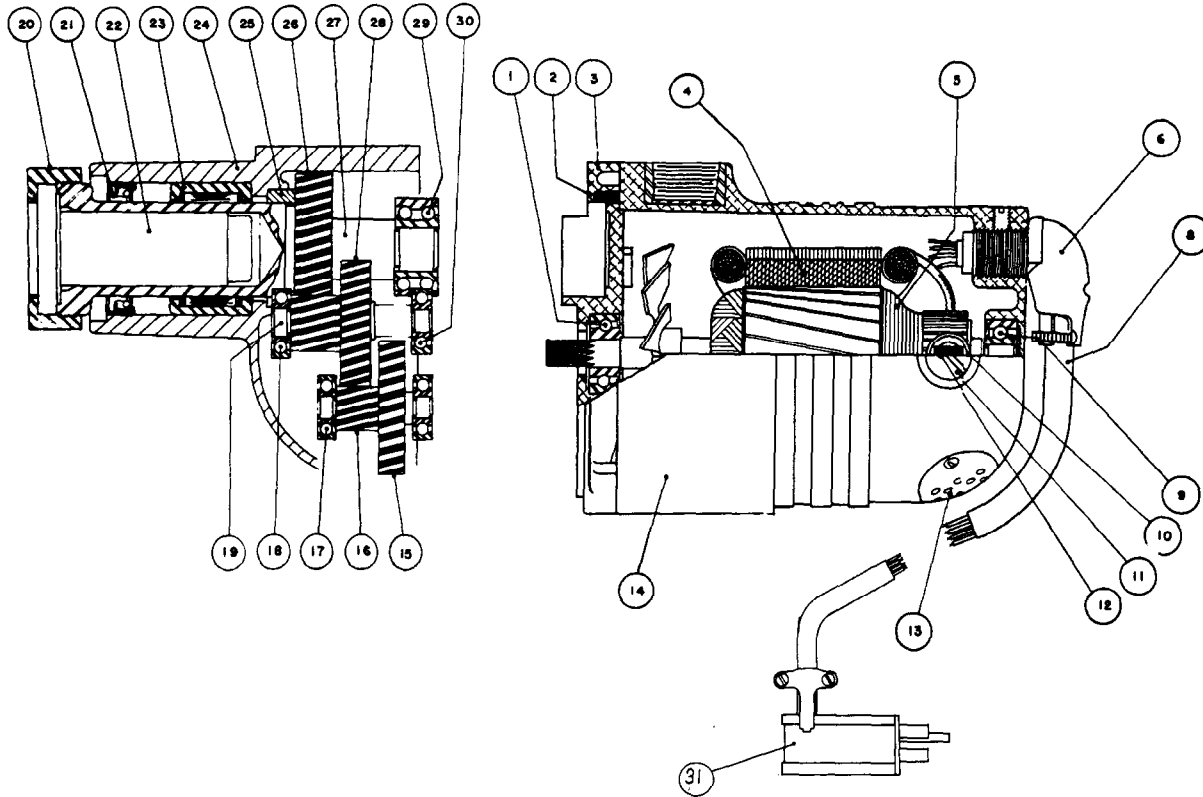
REVISED BUL. 6301-2 DATE April '68

Catalog No. 4280-1

Starting Serial No. **301-1534**

WIRING INSTR. **58-01-0370**

Both Model and Serial No. must be furnished to obtain correct parts.



230V Motor
16-86-1211 Armature
18-86-1060 Field

FIG.	PART NO.	DESCRIPTION OF PART
1	02-04-1140	Ball Bearing
2	45-30-0070	Ball Bearing Retaining Slug
3	28-28-1181	Diaphragm
4	18-82-1070	Field Assembly
5	16-82-1231	Armature Assembly
6	22-56-0060	Right Angle Connector
*8	22-64-0530	Cord (4-wire)
9	02-04-1070	Ball Bearing
10	22-22-0015	Brush Holder Assembly
11	23-44-0030	Brush Retaining Screw
12	22-18-0055	Carbon Brush Assembly
13	44-66-0180	Air Intake Cover Plate
14	28-50-4121	Motor Housing
15	32-42-1201	1st Intermediate Gear

FIG.	PART NO.	DESCRIPTION OF PART
(3)	16	36-66-1251 1st Intermediate Pinion Shaft
(2)	17	02-04-0910 Ball Bearing
(2)	18	02-04-1210 Ball Bearing
(2)	19	36-66-0571 2nd Intermediate Pinion Shaft
(2)	20	42-52-0050 Taper Socket Cap
(2)	21	45-06-0080 Spindle Oil Seal
(2)	22	45-34-0050 Taper Socket
(2)	23	02-50-9640 Spindle Roller Bearing
(2)	24	28-14-0082 Gear Case
(2)	25	42-24-0070 Thrust Bearing
(2)	26	32-75-1261 Spindle Gear
(2)	27	38-50-0701 Spindle
(2)	28	32-44-1141 2nd Intermediate Gear
(2)	29	02-20-1720 Ball Bearing
(2)	30	02-04-1020 Ball Bearing
(2)	31	22-56-0210 Cinch Plug

MISCELLANEOUS PARTS NOT SHOWN

PART NO.	DESCRIPTION OF PART	PART NO.	DESCRIPTION OF PART
12-98-0900	Name Plate	* 06-97-2200	Lock Washer (2)
* 06-81-8650	6-32x1/4" Rd. Hd. Air Intake Plate Sem (2)	06-97-3800	Lock Washer (2)
* 06-81-8400	4-40x1/4" Rd. Hd. Name Plate Sem (2)	06-42-1200	Woodruff Key
06-81-7900	1/4-20x1-1/2" Fil. Hd. Gear Case Sem (2)	06-42-2000	Woodruff Key
06-81-1975	1/4-20x2-1/4" Fil. Hd. Gear Case Screw (2)	06-42-2400	Woodruff Key
06-81-1150	10-24x3-1/8" Fil. Hd. Field Sem (2)	44-66-0050	Body Cover Plate
06-83-2650	1/4-20x3/8" Hd'less Brush Holder Set Screw(2)	* 06-81-5000	1/4-20x3/8" Truss Hd. Screw (2)
* 06-83-2650	1/4-20x3/8" Hd'less Set Screw		