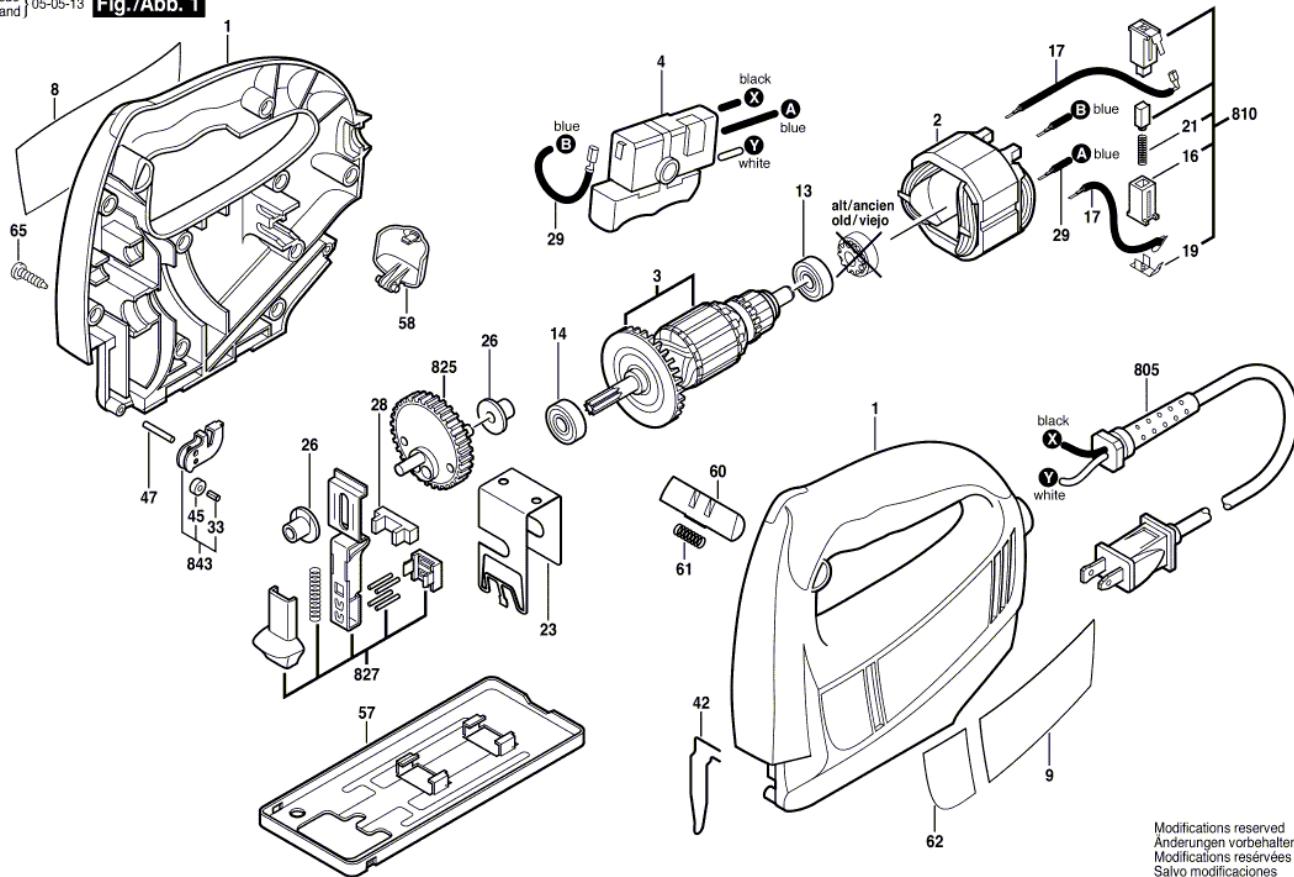


F012 4280 00
Issue } 05-05-13
Stand }

Fig./Abb. 1



Modifications reserved
Änderungen vorbehalten
Modifications réservées
Salvo modificaciones

Pos.	Part Number	Description	Pos.	Part Number	Description
1	2 610 910 648	Housing			
2	1 619 P00 498	Field			
3	1 619 P00 736	Armature			
4	2 607 200 569	On-Off Switch			
8	1 619 X00 071	Nameplate			
9	2 610 912 745	Reference Plate			
13	2 610 001 147	Ball Bearing			
14	2 610 001 147	Ball Bearing			
16	2 610 320 548	Carbon Brush Holder			
17	2 610 968 496	Power supply cord			
19	2 610 329 896	Terminal			
21	2 610 329 898	Spring			
23	2 610 912 488	Bracket			
26	2 610 912 577	Bushing			
28	2 610 913 320	Bushing			
29	2 610 912 732	Connecting Cable			
33	2 610 914 021	Bolt			
42	2 610 912 487	Protection			
45	2 610 916 611	Roller			
47	2 610 913 142	Bolt			
57	2 610 921 397	Base Plate			
58	2 610 910 961	Flap			
60	2 610 910 964	Button			
61	1 619 X01 041	Button Spring			
62	2 610 912 746	Label			
65	2 610 315 386	Screw			
805	1 619 X00 506				
810	2 609 120 199	Carbon-Brush Set			
825	2 610 912 741	Gear			
827	2 610 912 739	Blade Holder			
843	2 610 915 062	Roller Guide			