



SERVICE PARTS LIST

BULLETIN NO.
54-14-1140

SPECIFY CATALOG NO. AND SERIAL NO. WHEN ORDERING PARTS		REVISED BULLETIN	DATE
1/2" CLOSE CORNER DRILL			May '82
CATALOG NO. 4265-1	STARTING SERIAL NO. 597-1001	WIRING INSTRUCTION 58-01-0115	
CAT. NO. 4265-6	START SER. NO. 597-1001	BILINGUAL LABEL 10-98-6120	

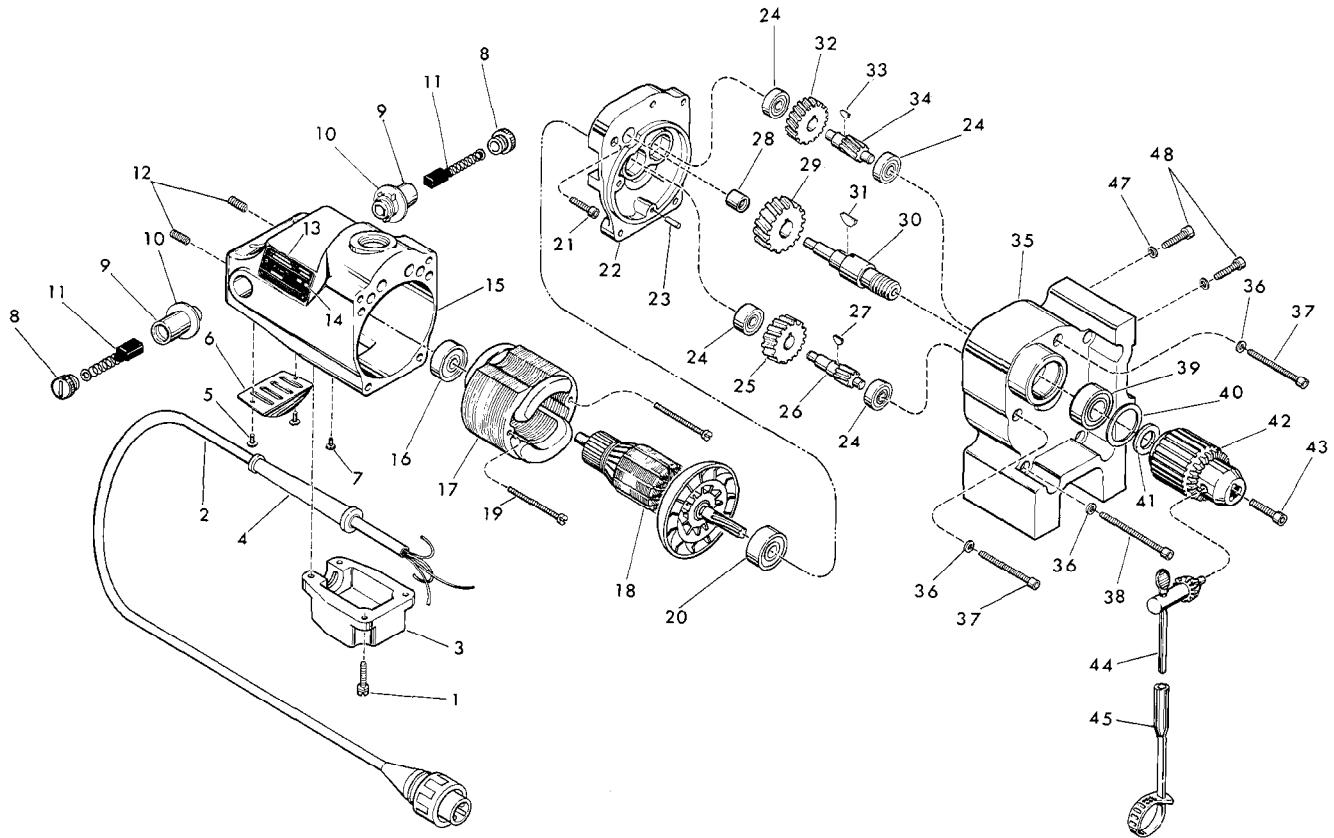


FIG.	PART NO.	DESCRIPTION OF PART	NO. REQ.	FIG.	PART NO.	DESCRIPTION OF PART	NO. REQ.
1	06-81-7550	12-24x3/4 Fil. Hd. Sem	(4)	25	32-44-1161	Intermediate Gear	(1)
2	22-64-0760	Cord Set	(1)	26	36-66-2252	Intermediate Shaft	(1)
3	28-50-1350	Cord Set Housing	(1)	27	06-42-0800	Woodruff Key	(1)
4	44-76-0050	Cord Protector	(1)	28	02-50-2435	Needle Bearing	(1)
5	06-81-8650	6-32x1/4 Rd. Hd. Sem	(2)	29	32-75-2701	Spindle Gear	(1)
6	44-66-0140	Cover Plate	(1)	30	38-50-2671	Spindle	(1)
7	06-81-8625	6-32x1/4 Ground Screw	(1)	31	06-42-2000	Woodruff Key	(1)
8	23-44-0065	Brush Retaining Screw	(2)	32	32-42-1221	Intermediate Gear	(1)
9	22-22-1120	Brush Holder	(2)	33	06-42-0800	Woodruff Key	(1)
10	23-86-0130	Fiber Washer	(2)	34	36-66-2201	Intermediate Shaft	(1)
11	22-18-0170	Carbon Brush	(2)	35	28-14-1401	Gear Case	(1)
12	06-83-2670	1/4-20x1/2 Set Screw	(2)	36	06-97-4050	1/4 Lock Washer	(5)
13	12-99-0010	Nameplate Blank	(1)	37	06-75-2630	10-32x1-7/8 Skt. Hd. Screw	(2)
14	06-85-0200	6x1/4 Nameplate Screw	(2)	38	06-75-2650	10-32x2-3/8 Skt. Hd. Screw	(3)
15	28-50-4646	Motor Housing	(1)	39	02-04-1650	Ball Bearing	(1)
16	02-04-0970	Ball Bearing	(1)	40	34-80-2500	Retaining Ring	(1)
17	18-62-1120	120V Field	(1)	41	45-88-0330	Chuck Spacer Washer	(1)
18	16-62-1151	120V Armature	(1)	42	48-66-1380	1/2" Reversing Chuck (Includes Fig. No. 44)	(1)
19	06-81-6700	8-32x1-7/8 Fil. Hd. Sem	(2)	43	06-75-3150	1/4-20x1 Skt. Hd. Screw (L.H. Thread)	(1)
20	02-04-1070	Ball Bearing	(1)	44	48-66-3280	Chuck Key	(1)
21	06-75-2450	10-32x3/4 Skt. Hd. Screw	(1)	45	48-66-4040	Key Holder	(1)
22	28-28-1501	Diaphragm	(1)	▶ 46	12-98-7082	Caution Plate (Not Shown)	(1)
23	06-65-0625	3/16x1/2 Groove Pin	(1)	47	06-97-4050	1/4 Lock Washer	(4)
24	02-04-0820	Ball Bearing	(4)	48	06-75-3050	1/4-20x3/4 Skt. Hd. Screw	(4)
				▶	Omit for Canadian Tools		