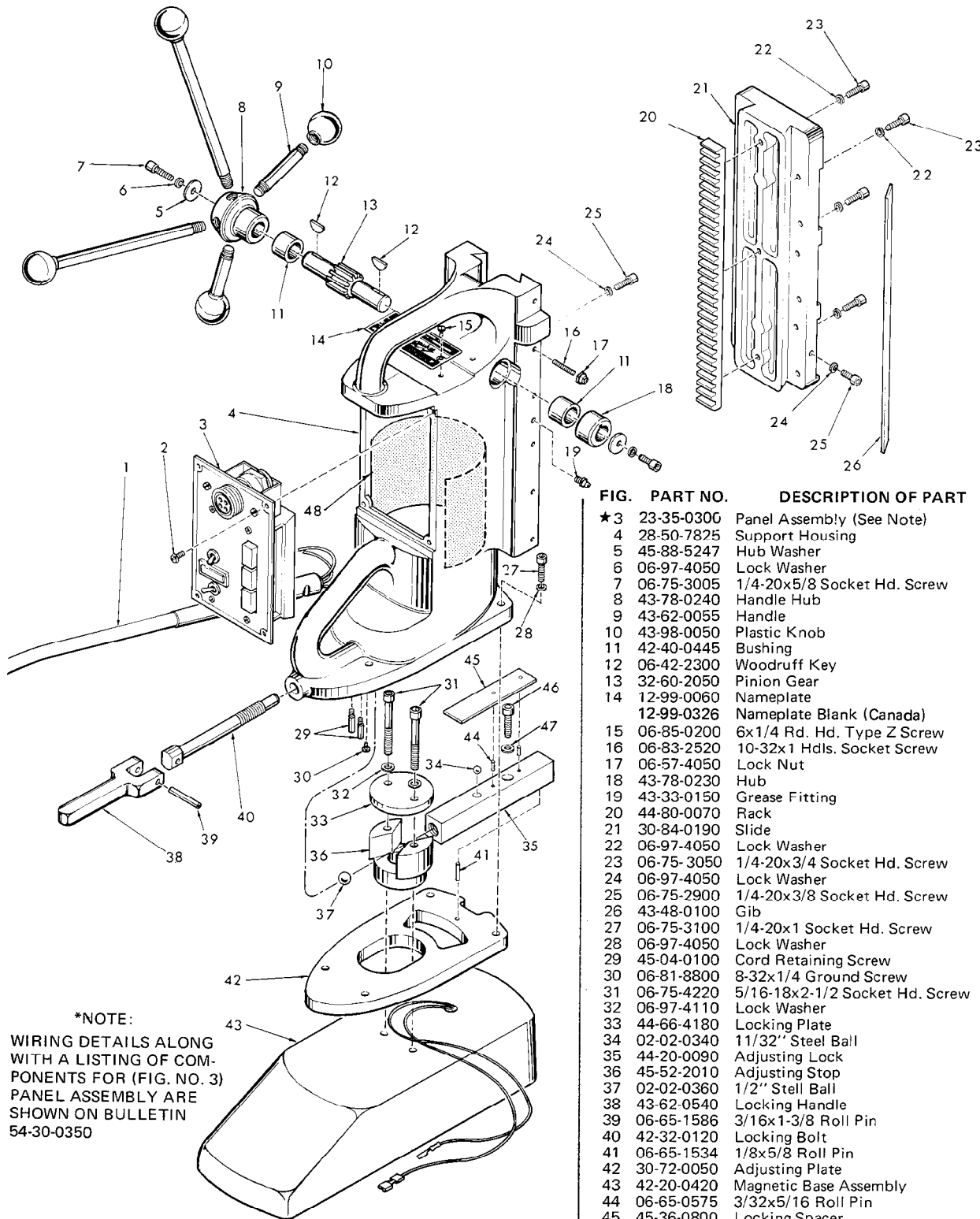




SERVICE PARTS LIST

BULLETIN NO.
54-46-2403

SPECIFY CATALOG NO. AND SERIAL NO. WHEN ORDERING PARTS		REVISED BULLETIN 54-46-2402	DATE May '84
ADJUSTABLE BASE ELECTROMAG DRILL STAND			
CATALOG NO. 4231		STARTING SERIAL NO. 500-13210	
CAT. NO. 4231-6		BILINGUAL LABEL- SEE NAMEPLATE	



***NOTE:**
WIRING DETAILS ALONG WITH A LISTING OF COMPONENTS FOR (FIG. NO. 3) PANEL ASSEMBLY ARE SHOWN ON BULLETIN 54-30-0350

FIG. PART NO.	DESCRIPTION OF PART	NO. REQ.
★ 3	23-35-0300 Panel Assembly (See Note)	(1)
4	28-50-7825 Support Housing	(1)
5	45-88-5247 Hub Washer	(2)
6	06-97-4050 Lock Washer	(2)
7	06-75-3005 1/4-20x5/8 Socket Hd. Screw	(2)
8	43-78-0240 Handle Hub	(1)
9	43-62-0055 Handle	(4)
10	43-98-0050 Plastic Knob	(4)
11	42-40-0445 Bushing	(2)
12	06-42-2300 Woodruff Key	(2)
13	32-60-2050 Pinion Gear	(1)
14	12-99-0060 Nameplate	(1)
	12-99-0326 Nameplate Blank (Canada)	
15	06-85-0200 6x1/4 Rd. Hd. Type Z Screw	(4)
16	06-83-2520 10-32x1 Hds. Socket Screw	(6)
17	06-57-4050 Lock Nut	(6)
18	43-78-0230 Hub	(1)
19	43-33-0150 Grease Fitting	(2)
20	44-80-0070 Rack	(1)
21	30-84-0190 Slide	(1)
22	06-97-4050 Lock Washer	(7)
23	06-75-3050 1/4-20x3/4 Socket Hd. Screw	(7)
24	06-97-4050 Lock Washer	(2)
25	06-75-2900 1/4-20x3/8 Socket Hd. Screw	(2)
26	43-48-0100 Gib	(1)
27	06-75-3100 1/4-20x1 Socket Hd. Screw	(4)
28	06-97-4050 Lock Washer	(4)
29	45-04-0100 Cord Retaining Screw	(2)
30	06-81-8800 8-32x1/4 Ground Screw	(1)
31	06-75-4220 5/16-18x2-1/2 Socket Hd. Screw	(2)
32	06-97-4110 Lock Washer	(2)
33	44-66-4180 Locking Plate	(1)
34	02-02-0340 11/32" Steel Ball	(1)
35	44-20-0090 Adjusting Lock	(1)
36	45-52-2010 Adjusting Stop	(1)
37	02-02-0360 1/2" Steel Ball	(1)
38	43-62-0540 Locking Handle	(1)
39	06-65-1586 3/16x1-3/8 Roll Pin	(1)
40	42-32-0120 Locking Bolt	(1)
41	06-65-1534 1/8x5/8 Roll Pin	(1)
42	30-72-0050 Adjusting Plate	(1)
43	42-20-0420 Magnetic Base Assembly	(1)
44	06-65-0575 3/32x5/16 Roll Pin	(2)
45	45-36-0800 Locking Spacer	(1)
46	06-75-3975 5/16-18x1 Socket Hd. Screw	(1)
47	06-97-4110 Lock Washer	(1)
48	23-16-0760 Panel Insulator	(1)
▶ 49	12-98-7035 Instruction Plate (Not Shown)	(1)

FIG. PART NO.	DESCRIPTION OF PART	NO. REQ.
1	22-64-0075 Cord Set	(1)
2	06-81-5400 8-32x5/16 Binder Sems	(4)

▶ Omit for Canadian Tools

MILWAUKEE ELECTRIC TOOL CORPORATION
13135 W. LISBON RD., BROOKFIELD, WIS. 53005