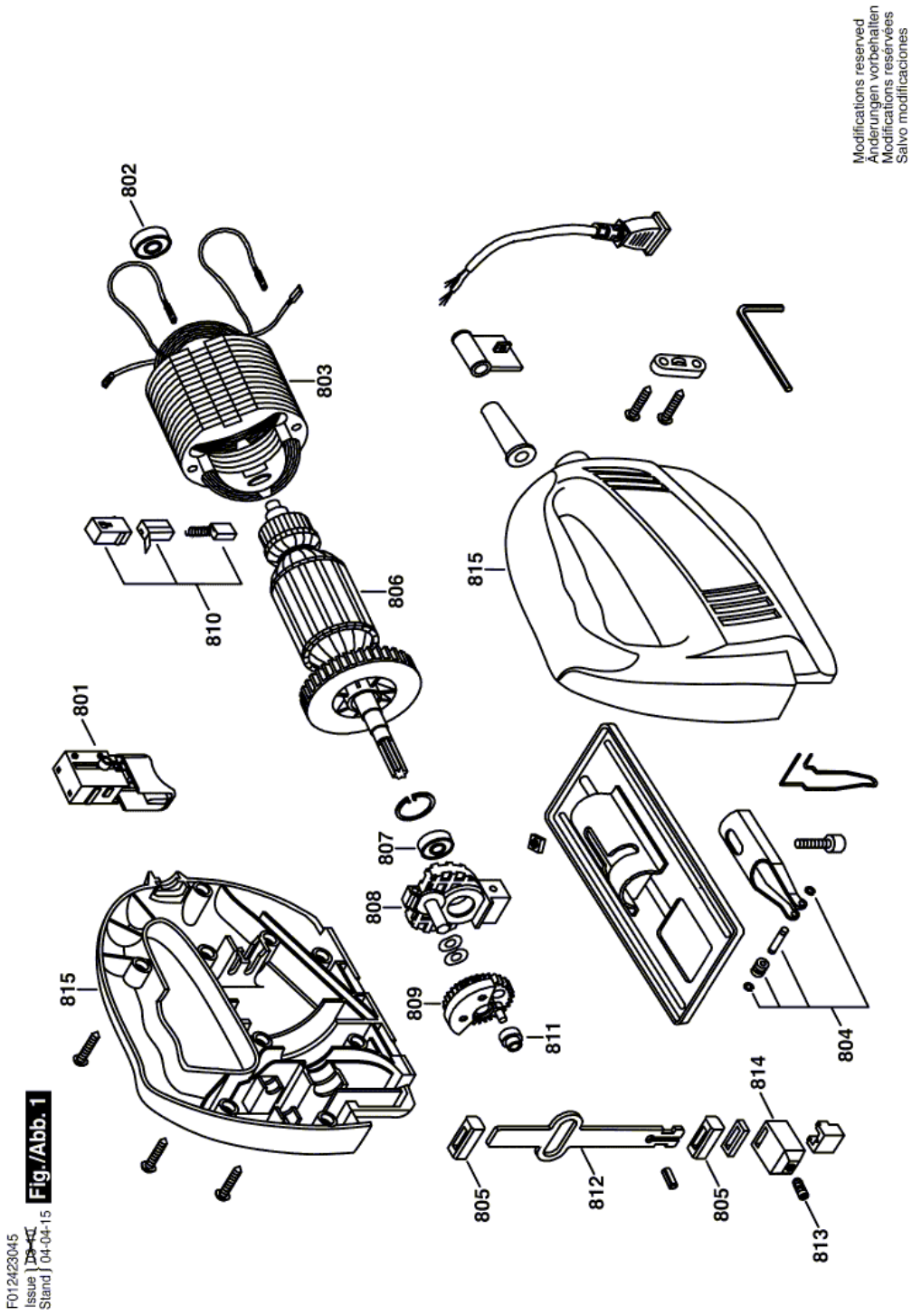


07.08.2015 |

Jig Saw - F 012 423 000 - 4230

Item	Part Number	Description	Illustration	Price	Quantity	Price Group
801	2 610 921 862	On-Off Switch	1	-,-	1	25
802	2 610 921 109	Ball Bearing	1	-,-	1	-
803	2 610 921 860	Field 115V	1	-,-	1	-
804	2 610 921 111	Pulley	1	-,-	1	11
805	2 610 921 112	Bushing	1	-,-	2	10
806	2 610 921 861	Armature 115V	1	-,-	1	-
807	2 610 921 114	Ball Bearing	1	-,-	1	-
808	2 610 921 115	Pivot Plate	1	-,-	1	-
809	2 610 921 116	Helical Gear	1	-,-	1	23
810	2 610 921 859	Carbon-Brush Set	1	-,-	1	23
811	2 610 921 118	Bushing	1	-,-	1	-
812	2 610 921 119	Cutting Plunger	1	-,-	1	16
813	2 610 921 120	Screw	1	-,-	1	10
814	2 610 921 121	Block	1	-,-	1	10
815	2 610 923 941	Housing	1	-,-	1	-

Illustration - Type E



Information subject to change without further notice.