



# SERVICE PARTS LIST

BUL. 54-46-2152

## ELECTROMAGNETIC DRILL STAND

REVISED BUL  
627-3

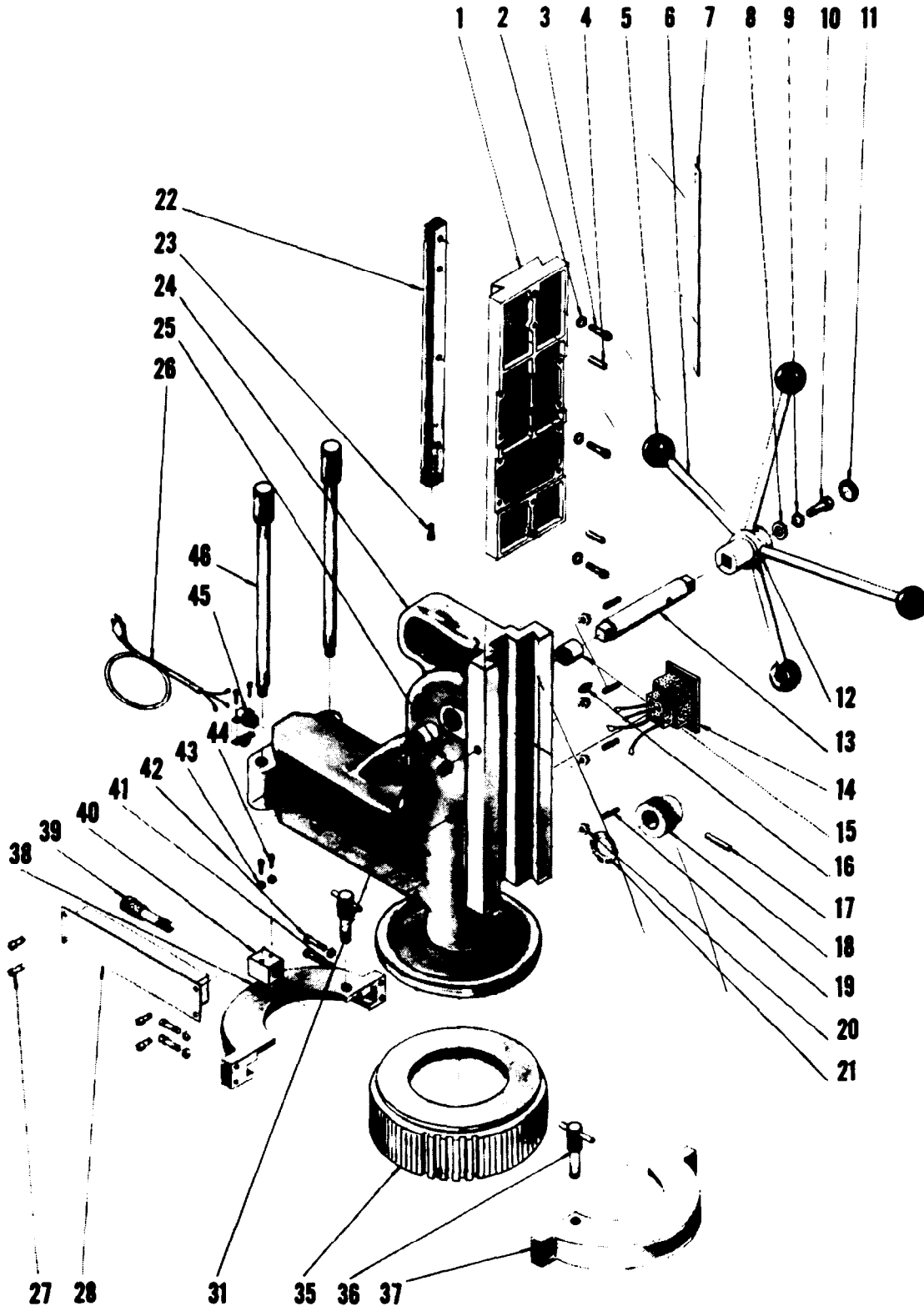
DATE  
July '68

Catalog No. 4230

Starting  
Serial No. 297-1465

WIRING INSTR.

Both Model and Serial No. must be furnished to obtain correct parts.





# SERVICE PARTS LIST

## ELECTROMAGNETIC DRILL STAND

230V Mounting  
 23-81-0100 Transformer  
 42-28-0170 Transformer Mtg. Block w/thru Hole  
 42-28-0172 Transformer Mtg. Block w/tapped Hole  
 06-81-0200 6-32x1 Binder Head Transformer Mtg. Screws (4)  
 06-81-4555 6-32x2-1/2 Round Head Mtg. Block Screws (2)

### ILLUSTRATED PARTS

FIG.	PART NO.	DESCRIPTION OF PART	NO.REQ.	FIG.	PART NO.	DESCRIPTION OF PART	NO.REQ.
1	30-84-0151	Slide		22	44-80-0150	Rack	
2	06-97-4050	1/4 Lock Washer	(3)	23	06-83-2440	10-32x5/16 Socket Hd. Set Screw	
3	06-75-3050	1/4-20x3/4 Socket Hd. Screw	(3)	24	28-50-7961	Support Housing	
4	06-65-1650	1/4 x 1-1/4 Roll Pin	(2)	25	43-33-0150	Grease Fitting	
5	43-98-0050	Plastic Knob	(4)	26	22-64-0330	Cord Set	
6	43-62-0050	Feed Handle	(4)	27	06-81-5790	6-32 x 1/4 Fil. Hd. Screw	(4)
7	43-48-0070	Gib		28	23-35-0090	Power Panel Assembly	
8	45-88-0420	3/4 O.D. x 9/32 I.D. x 1/8 Washer		31	42-40-0380	Bushing	
9	06-97-4050	1/4 Lock Washer		35	42-20-0220	Magnetic Base	
10	06-75-3150	1/4-20 x 1 Socket Hd. Cap Screw		36	45-04-0320	Swivel Lock Screw	(2)
11	44-68-0110	Plug		37	28-82-0111	Split Ring Half	
*12	43-78-0105	Hub		38	28-82-0110	Split Ring Half	
*13	45-08-0055	Shaft		39	45-04-0310	Micro Screw	
14	23-33-0170	Receptacle		40	42-28-0120	Micro Screw Support Block	
15	42-40-0340	Bushing		41	06-97-4050	1/4 Lock Washer	(4)
16	43-33-0150	Grease Fitting		42	06-75-2950	1/4-20 x 1/2 Soc. Hd. Screw	(4)
17	06-65-1650	1/4 x 1-1/4 Roll Pin		43	06-97-4050	1/4 Lock Washer	(2)
18	32-60-1001	Pinion Gear	(4)	44	06-75-2950	1/4-20 x 1/2 Soc. Hd. Screw	(2)
19	06-83-2520	10-32 x 1 Set Screw	(4)	45	22-38-0080	Cord Clamp	
20	06-55-1100	10-32 Hex Nut		46	45-04-0300	Balance Screw	(2)
21	45-88-0410	Spring Washer					

### MISCELLANEOUS PARTS NOT SHOWN

PART NO.	DESCRIPTION OF PART	PART NO.	DESCRIPTION OF PART	NO.REQ.
22-38-0100	Cable Clamp	06-81-8400	4-40 x 1/4 Rd. Hd. Sem Name Plate	(2)
12-98-5500	Name Plate	42-28-0181	Stop Block Assembly	
45-83-0050	Vent	06-75-3050	1/4-20 x 3/4 Socket Hd. Drill Mtg. Cap Screws	(4)
06-81-2400	10-32 x 5/8 Fil. Hd. Cable Clamp Sems	*06-42-2200	Woodruff Key	