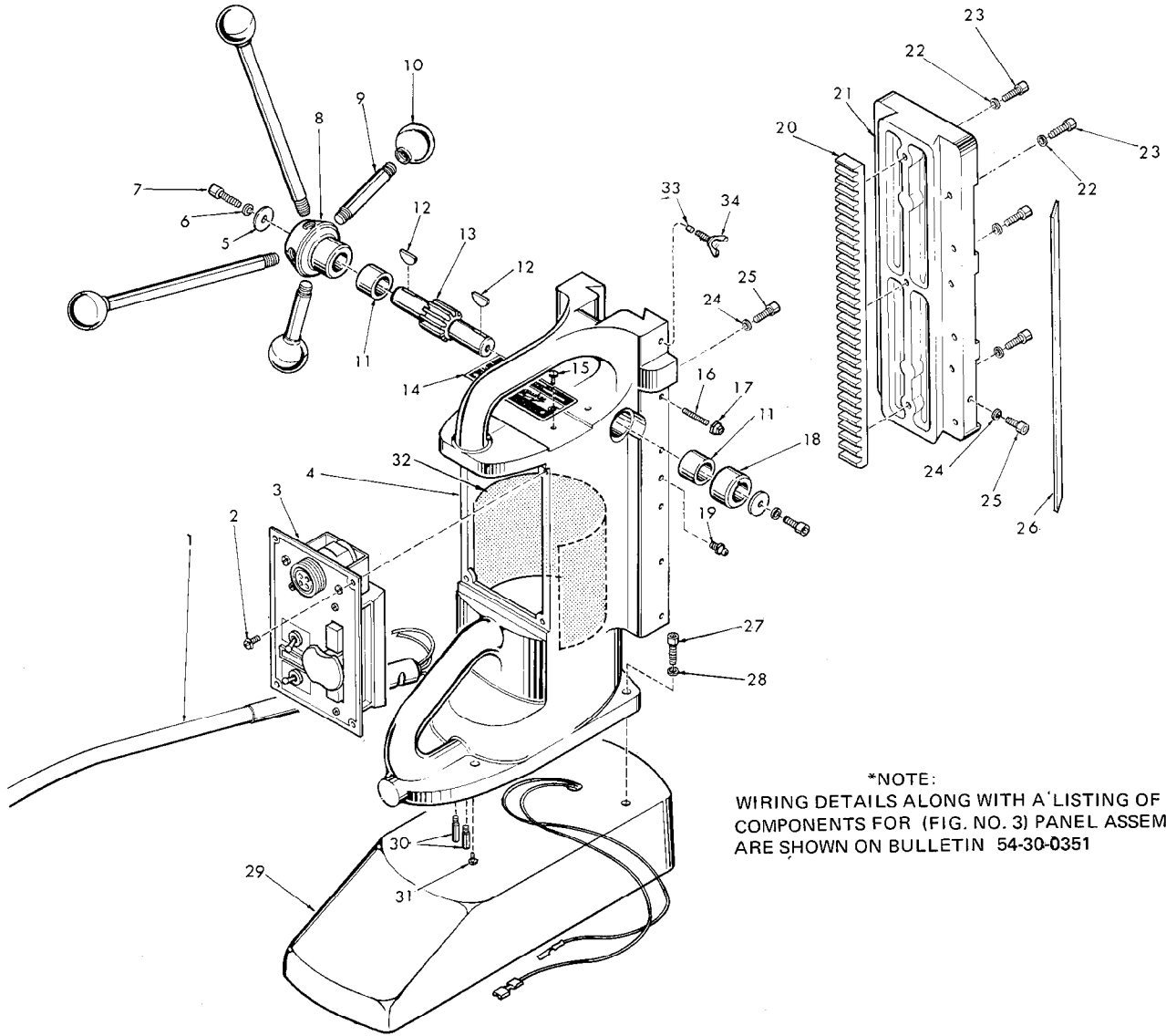




SERVICE PARTS LIST

BULLETIN NO.
54-46-2304

SPECIFY CATALOG NO. AND SERIAL NO. WHEN ORDERING PARTS		REVISED BULLETIN 54-46-2303	DATE Sept. '86
LARGE BASE ELECTROMAG DRILL STAND			
CATALOG NO. 4221	STARTING SERIAL NO. 499-8750	WIRING INSTRUCTION * SEE NOTE	



***NOTE:**
WIRING DETAILS ALONG WITH A LISTING OF COMPONENTS FOR (FIG. NO. 3) PANEL ASSEMBLY ARE SHOWN ON BULLETIN 54-30-0351

FIG.	PART NO.	DESCRIPTION OF PART	NO. REQ.	FIG.	PART NO.	DESCRIPTION OF PART	NO. REQ.
1	22-64-0075	Cord Set	(1)	18	43-78-0230	Hub	(1)
2	06-81-5400	8-32x5/16 Binder Sems	(4)	19	43-33-0150	Grease Fitting	(2)
★ 3	23-35-0301	Panel Assembly (See Note)	(1)	20	44-80-0070	Rack	(1)
4	28-50-7820	Support Housing	(1)	21	30-84-0190	Slide	(1)
5	45-88-5247	Hub Washer	(2)	22	06-97-4050	Lock Washer	(7)
6	06-97-4050	Lock Washer	(2)	23	06-75-3050	1/4-20x3/4 Socket Hd. Screw	(7)
7	06-75-3005	1/4-20x5/8 Socket Hd. Screw	(2)	24	06-97-4050	Lock Washer	(2)
8	43-78-0240	Handle Hub	(1)	25	06-75-2900	1/4-20x3/8 Socket Hd. Screw	(2)
9	43-62-0055	Handle	(4)	26	43-48-0100	Gib	(1)
10	43-98-0050	Plastic Knob	(4)	27	06-75-3250	1/4-20x1/2 Socket Hd. Screw	(4)
11	42-40-0445	Bushing	(2)	28	06-97-4050	Lock Washer	(4)
12	06-42-2300	Woodruff Key	(2)	29	42-20-0410	Magnetic Base Assembly	(1)
13	32-60-2050	Pinion Gear	(1)	30	45-04-0100	Cord Retaining Screw	(2)
14	12-99-0060	Nameplate	(1)	31	06-81-8800	8-32x1/4 Ground Screw	(1)
15	06-85-0200	6x1/4 Rd. Hd. Type Z Screw	(4)	32	23-16-0760	Panel Insulator	(1)
	12-98-7035	Instruction Plate (Not Shown) Located Next To Nameplate	(1)	33	45-30-0160	Brass Slug	(1)
16	06-83-2520	10-32x1 Hdls. Socket Screw	(5)	34	06-88-0110	1/4-20x3/4" Wing Screw	(1)
17	06-57-4050	Lock Nut	(5)				