



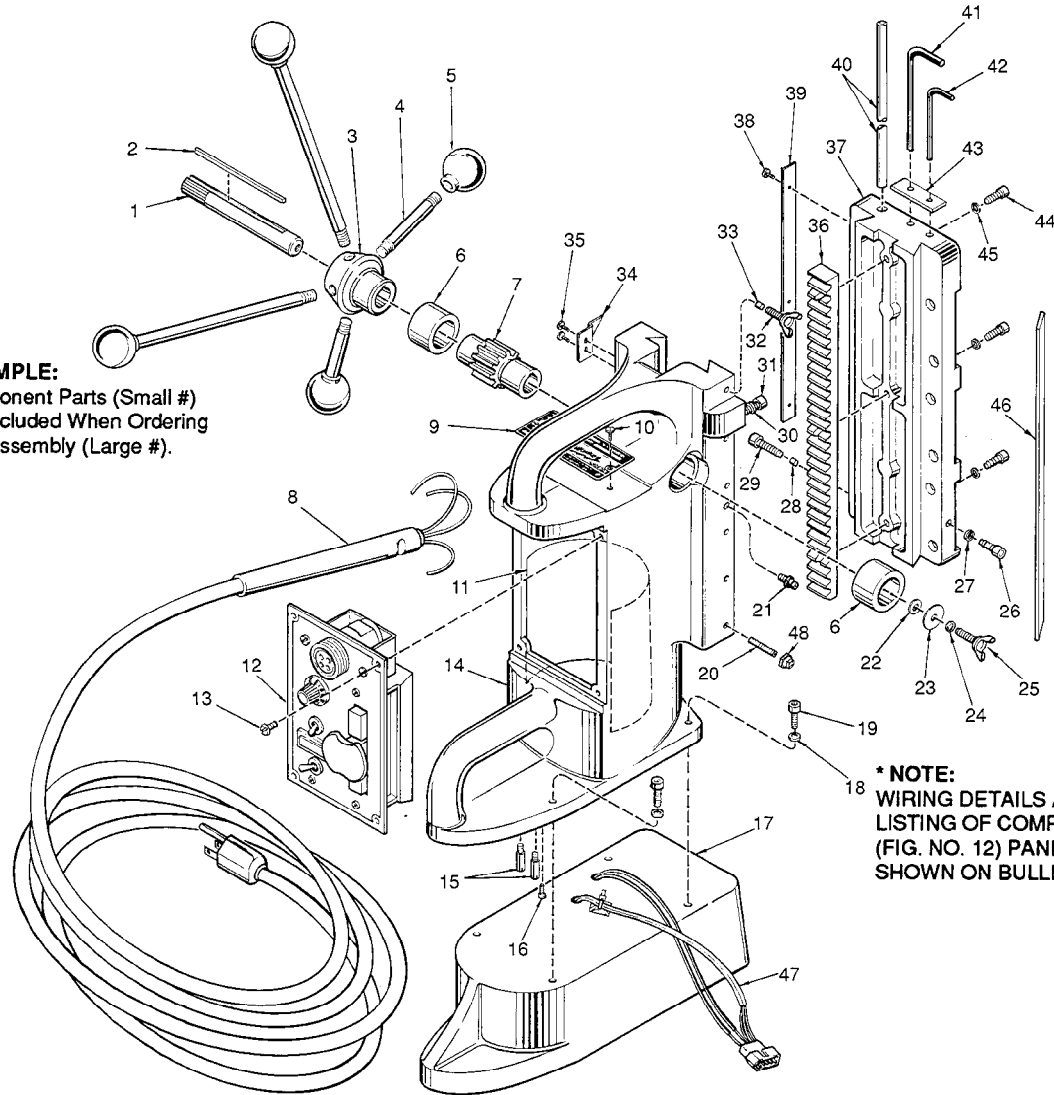
SERVICE PARTS LIST

BULLETIN NO.
54-46-2227

SPECIFY CATALOG NO. AND SERIAL NO. WHEN ORDERING PARTS		REVISED BULLETIN	DATE
ELECTROMAGNETIC DRILL STAND		54-46-2226	Sept. '93
CATALOG NO. 4202	STARTING SERIAL NO. 598A	WIRING INSTRUCTION * SEE NOTE	

00
0

EXAMPLE:
Component Parts (Small #)
Are Included When Ordering
The Assembly (Large #).



*** NOTE:**
WIRING DETAILS ALONG WITH A
LISTING OF COMPONENTS FOR
(FIG. NO. 12) PANEL ASSEMBLY ARE
SHOWN ON BULLETIN 54-30-0401

FIG.	PART NO.	DESCRIPTION OF PART	NO. REQ.	FIG.	PART NO.	DESCRIPTION OF PART	NO. REQ.
	1	45-08-0160 Shaft	(1)	28	45-30-0160	Brass Slug	(2)
	2	06-42-3750 1/8 x 3-1/2" Square Key	(1)	29	06-75-3090	1/4-20 x 7/8" Socket Hd. Screw	(2)
	3	43-78-0260 Handle Hub	(1)	30	06-97-4050	1/4" Split Ring Lock Washer	(1)
	4	43-62-0055 Feed Handle	(4)	31	06-75-2900	1/4-20 x 3/8" Socket Hd. Screw	(1)
	5	43-98-0050 Plastic Knob	(4)	32	06-88-0110	1/4-20 x 3/4" Wing Screw	(1)
	6	42-40-0060 Bushing	(2)	33	45-30-0160	Brass Slug	(1)
	7	32-60-2120 Pinion Gear	(1)	34	43-82-0080	Gauge Indicator	(1)
	8	22-64-0076 Cord Set	(1)	35	06-81-5400	8-32 x 5/16" Binder Sems	(2)
★	9	12-99-1295 Service Nameplate	(1)	36	44-80-0070	Rack	(1)
	10	06-95-0075 6-32 x 3/8" Truss Hd. Taptite Screw	(2)	37	30-84-0180	Slide	(1)
★	11	23-16-0761 Panel Insulator	(1)	38	06-85-0200	6 x 1/4" Rd. Hd. Type Z Screw	(3)
	12	Panel Assembly (See Note)	(1)	39	43-46-0150	Graduated Gauge	(1)
	13	06-81-5400 8-32 x 5/16" Binder Sems	(4)	40	44-94-0165	Depth Gauge Rod	(1)
	14	28-50-7815 Support Housing	(1)	41	49-96-0080	3/16" Socket Wrench	(1)
	15	45-04-0100 Cord Retaining Screw	(2)	42	49-96-0050	3/32" socket Wrench	(1)
	16	06-81-8820 Ground Screw	(1)	43	43-94-0060	Wrench Keeper	(1)
	17	42-20-0505 Magnetic Base Assembly	(1)	44	06-75-3005	1/4-20 x 5/8" Socket Hd. Screw	(3)
	18	06-97-4050 1/4" Split Ring Lock Washer	(4)	45	06-97-4050	1/4" Split Ring Lock Washer	(3)
	19	06-75-3090 1/4-20 x 7/8" Socket Hd. Screw	(4)	46	43-48-0090	Gib	(1)
	20	06-83-2520 10-32 x 1" Headless Socket Screw	(5)	47	23-38-0095	Reed Relay Assy. (Part Of Fig. 17)	(1)
	21	43-33-0150 Grease Fitting	(2)	48	06-57-4050	Lock Nut	(5)
	22	45-88-7160 Thrust Washer	(1)	★	14-20-0212	Remote Triac Assembly	(1)
	23	45-88-5247 Hub Washer	(1)	★	06-95-0075	6-32 x 3/8" Truss Hd. Taptite (Used To Mount 14-20-0212 Inside Support Hsg.)	(2)
	24	06-97-4050 1/4" Split Ring Lock Washer	(1)		48-58-0080	6' Safety Chain (Incl. 43-74-0080)	(1)
	25	06-88-0110 1/4-20 x 3/4" Wing Screw	(1)		43-74-0080	Chain Hook	(1)
	26	06-75-2900 1/4-20 x 3/8" Socket Hd. Screw	(1)				
	27	06-97-4050 1/4" Split Ring Lock Washer	(1)				

MILWAUKEE ELECTRIC TOOL CORPORATION
13135 W. LISBON RD., BROOKFIELD, WI 53005