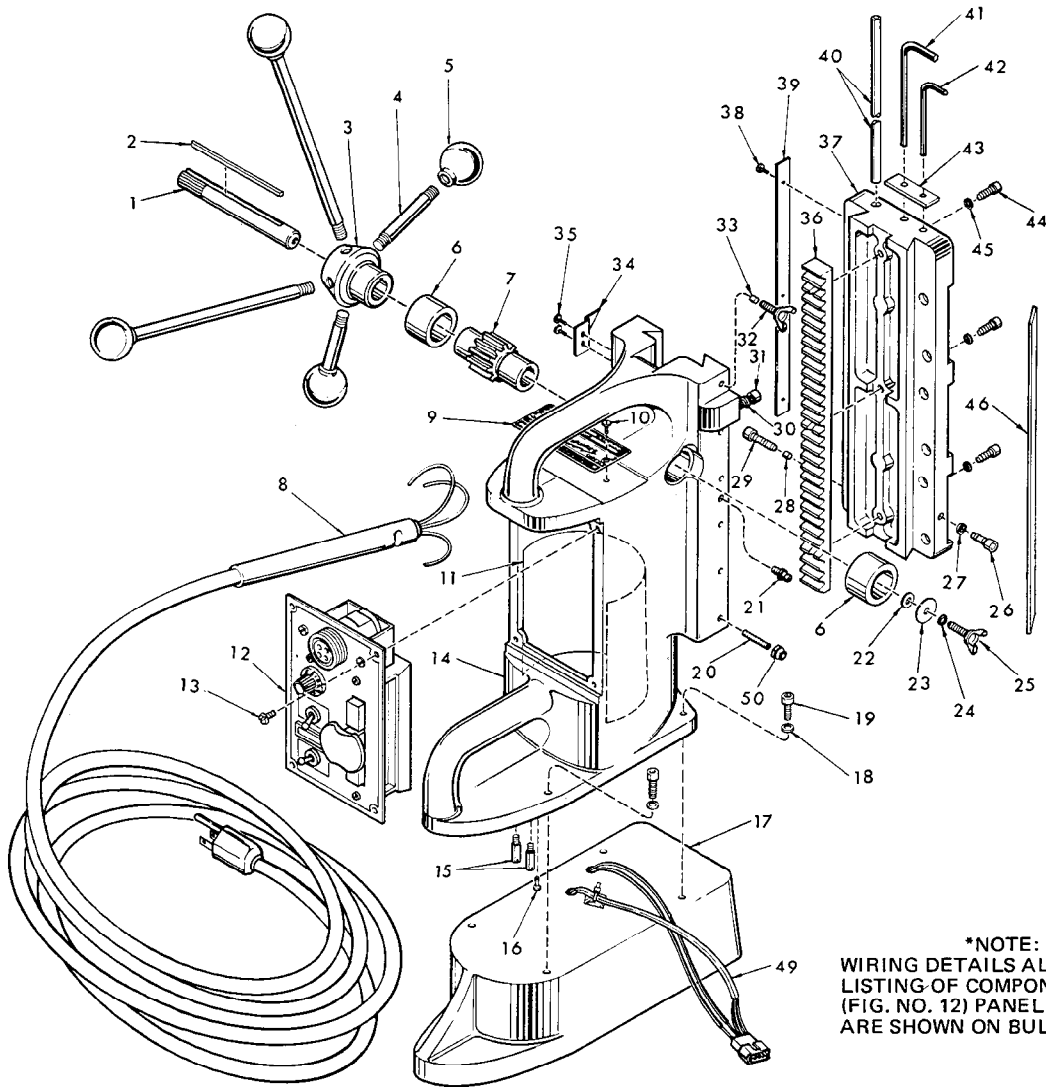




# SERVICE PARTS LIST

**BULLETIN NO.**  
54-46-2226

SPECIFY CATALOG NO. AND SERIAL NO. WHEN ORDERING PARTS		REVISED BULLETIN	DATE
<b>ELECTROMAGNETIC DRILL STAND</b>		54-46-2225	Sept. '90
<b>CATALOG NO. 4202</b>	<b>STARTING SERIAL NO. 598-10475</b>	WIRING INSTRUCTION *SEE NOTE	
CAT. NO.	START SER. NO.	BILINGUAL LABEL-	



\*NOTE:  
WIRING DETAILS ALONG WITH A LISTING OF COMPONENTS FOR (FIG. NO. 12) PANEL ASSEMBLY ARE SHOWN ON BULLETIN 54-30-0401

FIG.	PART NO.	DESCRIPTION OF PART	NO. REQ.	FIG.	PART NO.	DESCRIPTION OF PART	NO. REQ.
	1	45-08-0160 Shaft	(1)	26	06-75-2900	1/4-20X3/8" Socket Hd. Screw	(1)
	2	06-42-3750 1/8x3-1/2" Square Key	(1)	27	06-97-4050	1/4" Split Ring Lock Washer	(1)
	3	43-78-0260 Handle Hub	(1)	28	45-30-0160	Brass Slug	(2)
	4	43-62-0055 Feed Handle	(4)	29	06-75-3090	1/4-20x7/8" Socket Hd. Screw	(2)
	5	43-98-0050 Handle Knob	(4)	30	06-97-4050	1/4" Split Ring Lock Washer	(1)
	6	42-40-0060 Bushing	(2)	31	06-75-2900	1/4-20x3/8" Socket Hd. Screw	(1)
	7	32-60-2120 Pinion Gear	(1)	32	06-88-0110	1/4-20x3/4" Wing Screw	(1)
	8	22-64-0076 Cord Set	(1)	33	45-30-0160	Brass Slug	(1)
	9	12-99-0060 Nameplate Blank	(1)	34	43-82-0080	Gauge Indicator	(1)
	10	06-85-0200 6x1/4" Rd. Hd. Type Z Screw	(2)	35	06-81-5400	8-32x5/16" Binder Sem	(2)
	11	23-16-0760 Panel Insulator	(1)	36	44-80-0070	Rack	(1)
★	12	Panel Assembly (See Note)	(1)	37	30-84-0180	Slide	(1)
	13	06-81-5400 8-32x5/16" Binder Sem	(4)	38	06-85-0200	6x1/4" Rd. Hd. Type Z Screw	(3)
	14	28-50-7815 Support Housing	(1)	39	43-46-0150	Graduated Gauge	(1)
	15	45-04-0100 Cord Retaining Screw	(2)	40	44-94-0165	Depth Gauge Rod	(1)
	16	06-81-8820 Ground Screw	(1)	41	49-96-0080	3/16" Socket Wrench	(1)
	17	42-20-0505 Magnetic Base Assembly	(1)	42	49-96-0050	3/32" Socket Wrench	(1)
	18	06-97-4050 1/4" Split Ring Lock Washer	(4)	43	43-94-0060	Wrench Keeper	(1)
	19	06-75-3090 1/4-20x7/8" Socket Hd. Screw	(4)	44	06-75-3005	1/4-20x5/8" Socket Hd. Screw	(3)
	20	06-83-2520 10-32x1 Hdls. Socket Screw	(5)	45	06-97-4050	1/4" Split Ring Lock Washer	(3)
	21	43-33-0150 Grease Fitting	(2)	46	43-48-0090	Gib	(1)
	22	45-88-7160 Thrust Washer	(1)	47	12-98-7035	Instruction Plate (Not Shown)	(1)
	23	45-88-5247 Hub Washer	(1)	48	48-58-0080	Safety Chain Assembly (Not Shown)	(1)
	24	06-97-4050 1/4" Split Ring Lock Washer	(1)	49	23-38-0095	Reed Relay Assy. (Part of base Assy. Fig. No. 17)	(1)
	25	06-88-0110 1/4-20x3/4" Wing Screw	(1)	50	06-57-4050	Lock Nut	(5)

**MILWAUKEE ELECTRIC TOOL CORPORATION**  
13135 W. LISBON RD., BROOKFIELD, WIS. 53005