



# SERVICE PARTS LIST

**BUL. 54-46-2201**

## MEDIUM BASE ELECTROMAG DRILL STAND

REVISED BUL.  
54-46-2200

DATE  
Aug. '77

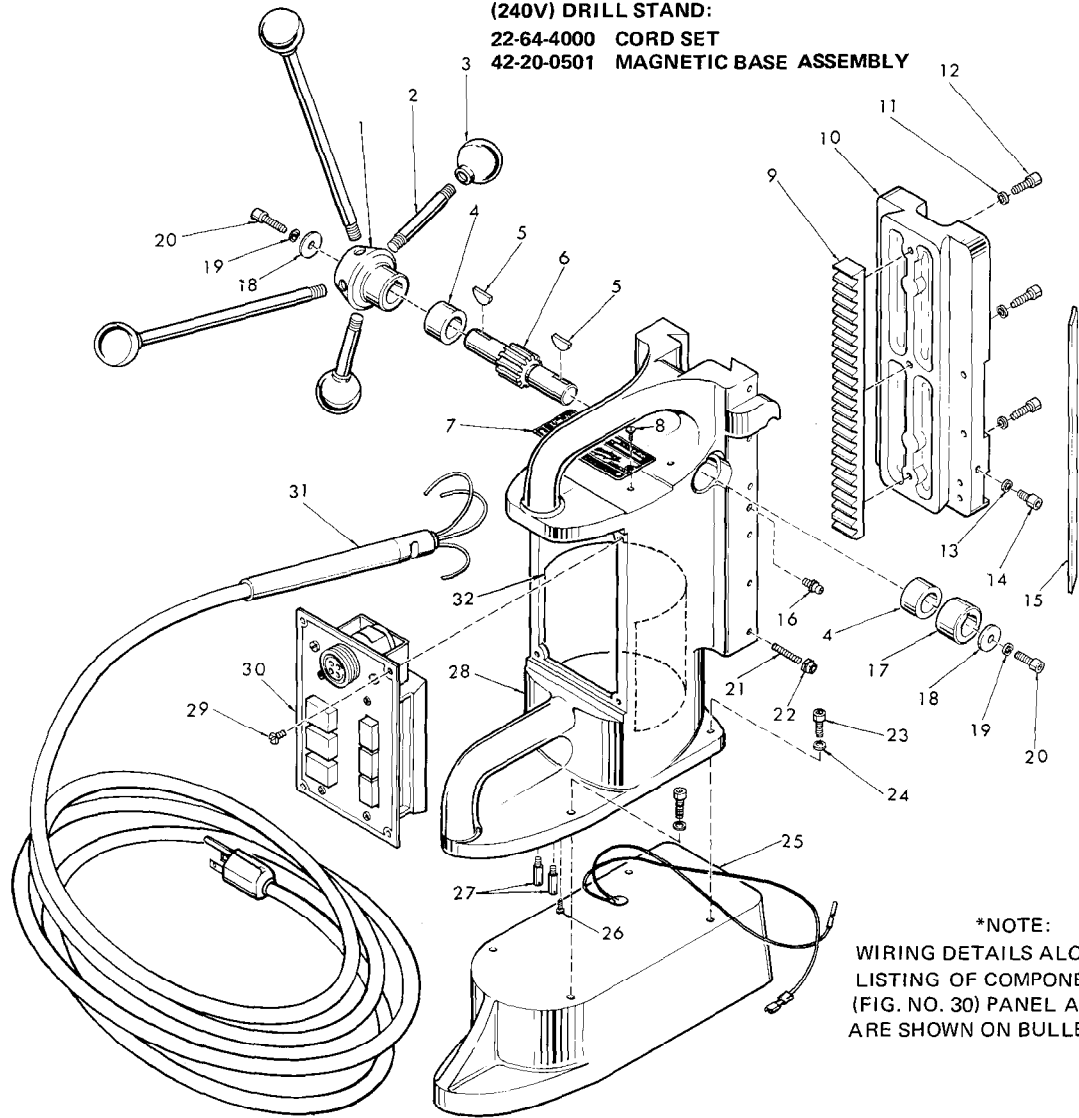
**Catalog No. 4201**

Starting  
Serial No. **498-1001**

WIRING INSTRUCTIONS  
\* SEE NOTE

Specify Catalog and Serial No. when ordering parts

FOR CAT. NO. 4201-2  
(240V) DRILL STAND:  
22-64-4000 CORD SET  
42-20-0501 MAGNETIC BASE ASSEMBLY



\*NOTE:  
WIRING DETAILS ALONG WITH A LISTING OF COMPONENTS FOR (FIG. NO. 30) PANEL ASSEMBLY ARE SHOWN ON BULLETIN 54-30-0300.

FIG.	PART NO.	DESCRIPTION OF PART	NO. REQ.	FIG.	PART NO.	DESCRIPTION OF PART	NO. REQ.
1	43-78-0240	Handle Hub	(1)	18	45-88-5247	Hub Washer	(2)
2	43-62-0055	Handle	(4)	19	06-97-4050	Lock Washer	(2)
3	43-98-0050	Plastic Knob	(4)	20	06-75-3005	1/4-20x5/8 Socket Hd. Screw	(2)
4	42-40-0445	Bushing	(2)	21	06-83-2520	10-32x1 Hdls. Socket Screw	(6)
5	06-42-2300	Woodruff Key	(2)	22	06-57-4050	Lock Nut	(6)
6	32-60-2050	Pinion Gear	(1)	23	06-75-3090	1/4-20x7/8 Socket Hd. Screw	(4)
7	12-99-0060	Blank Nameplate	(1)	24	06-97-4050	Lock Washer	(4)
8	06-85-0200	6x1/4 Rd. Hd. Type Z Screw	(4)	25	42-20-0400	Magnetic Base Assembly	(1)
9	44-80-0060	Rack	(1)	26	06-81-8800	8-32x1/4 Ground Screw	(1)
10	30-84-0160	Slide	(1)	27	45-04-0100	Cord Retaining Screw	(2)
11	06-97-4050	Lock Washer	(3)	28	28-50-7810	Support Housing	(1)
12	06-75-3050	1/4-20x3/4 Socket Hd. Screw	(3)	29	06-81-5400	8-32x5/16 Binder Sems	(4)
13	06-97-4050	Lock Washer	(1)	30	—	Panel Assembly (See Note)	(1)
14	06-75-2900	1/4-20x3/8 Socket Hd. Screw	(1)	31	22-64-0075	Cord Set	(1)
15	43-48-0090	Gib	(1)	32	23-16-0760	Panel Insulator	(1)
16	43-33-0150	Grease Fitting	(2)	33	12-98-7035	Instruction Plate (Not Shown) Located Next To Nameplate	(1)
17	43-78-0230	Hub	(1)				

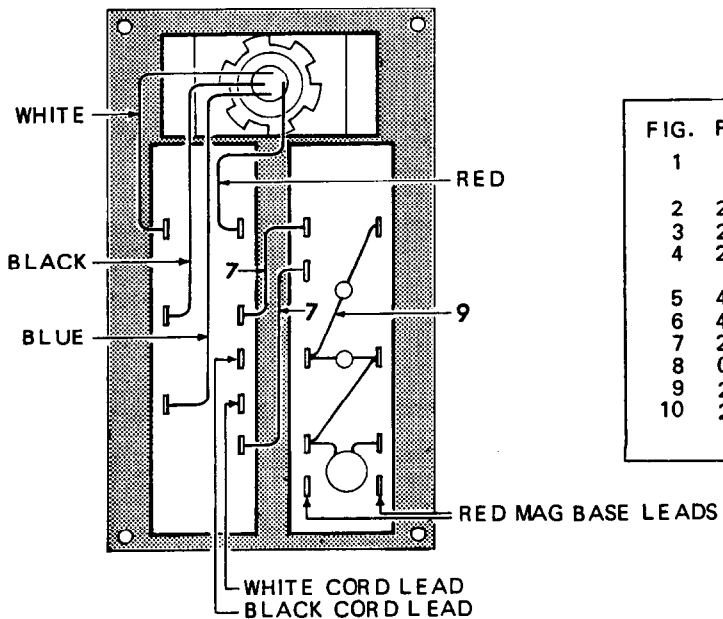
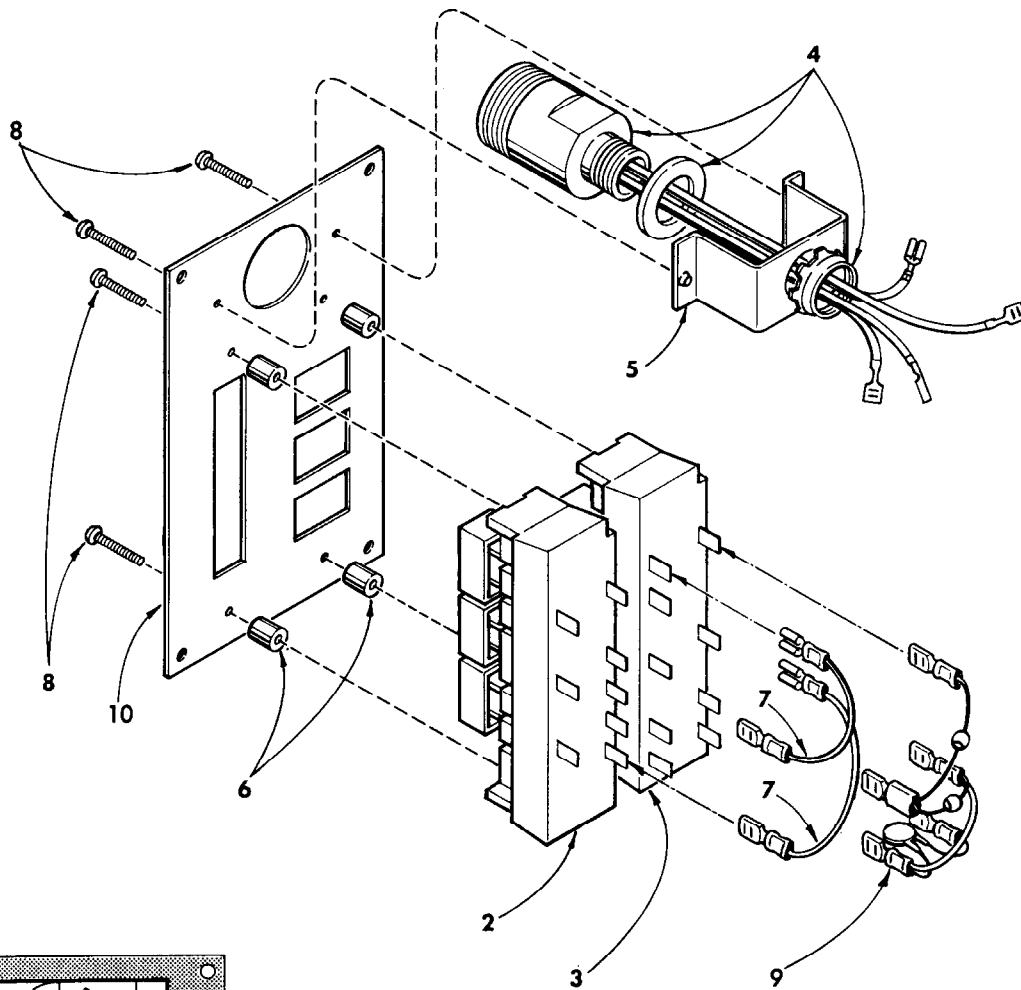


FIG.	PART NO.	DESCRIPTION OF PART	NO. REQ.
1	—	Mag Stand Panel Assembly (Includes Fig. Nos. 2 thru 10)	(1)
2	23-66-0935	Drill Switch	(1)
3	23-66-0930	Magnet Switch	(1)
4	23-33-0230	Receptacle Assy. (Socket, Rubber Washer & Nut)	(1)
5	42-36-0410	Mounting Bracket	(1)
6	45-36-0770	Spacer	(4)
7	23-46-0070	Jumper	(2)
8	06-85-0400	6-20x3/4 Phillips Pan Hd. Screw	(6)
9	23-38-2750	Rectifier Assembly (Includes Fig. 3)	(1)
10	23-35-0140	Panel	(1)

CORD SET PART NO. 22-64-0075		
WIRE	LENGTH	TERMINAL
Green	3-1/4"	23-74-0320
White	9"	23-74-0470
Black	9"	23-74-0470