



SERVICE PARTS LIST

BUL. 54-46-200C

ELECTROMAGNETIC DRILL STAND

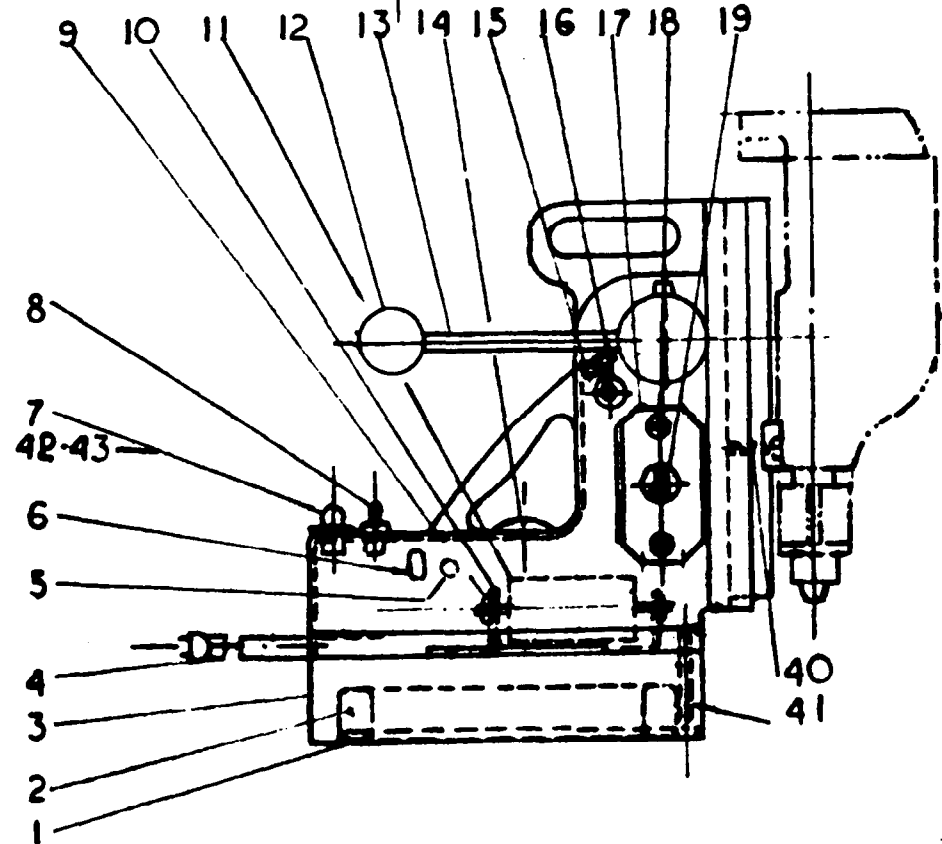
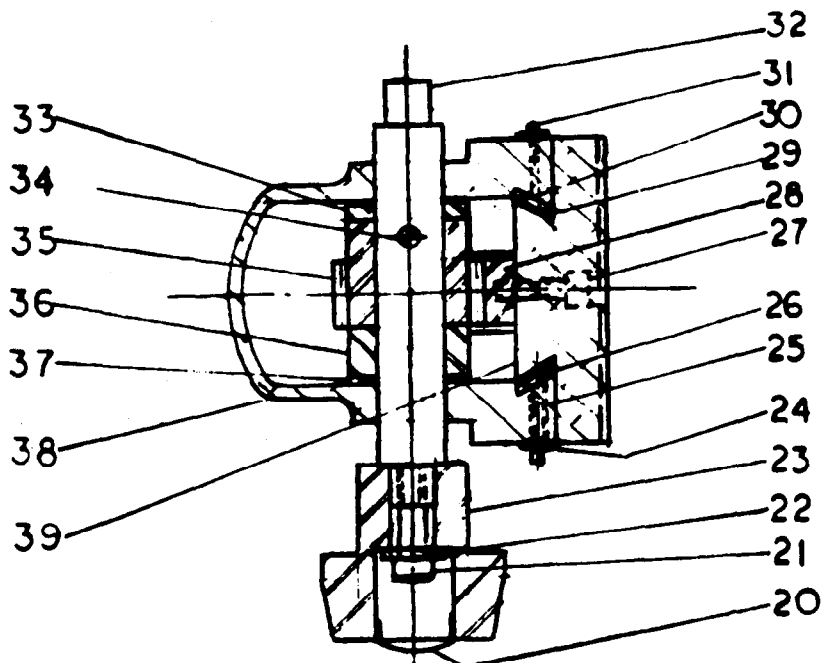
REVISED BUL 6302-1 DATE Feb. '68

Catalog No. 4200

Starting Serial No. 302-1001

WIRING INSTR.

Both Model and Serial No. must be furnished to obtain correct parts.



PARTS FOR 4200

FIG.	PART NO.	DESCRIPTION OF PART
1	45-12-0130	Coil Shield
2	22-51-0100	Coil (115 Volt)
	22-51-0110	Coil (230 Volt)
3	30-07-5241	Base
4	22-64-0330	Cord Set
5	23-38-5010	Resistor
6	22-33-0160	Capacitor
7	23-26-0020	Pilot Lamp
8	23-66-0420	Switch
9	06-55-1100	10-32 Hex Nut
10	42-36-0360	Bracket
11	23-38-2520	Rectifier (115 Volt)
	23-38-2530	Rectifier (230 Volt)
12	43-98-0050	Knob
13	43-62-0270	Feed Handle
14	45-83-0050	Vent
15	42-70-0120	Clip
16	22-90-0100	Grommet
17	28-72-7001	Switch Plate
18	06-81-4650	10-32x3/8" Rd. Hd. Scr.
19	23-66-0340	Switch
20	44-68-0110	Plug
21	06-75-3200	1/4-20x1-1/4" Soc. Hd. Screw

ILLUSTRATED PARTS

FIG.	PART NO.	DESCRIPTION OF PART	
22	45-88-0420	Washer	
23	43-78-0100	Hub	
24	06-55-1100	10-32 Hex Nut	(6)
25	06-83-2520	10-32x1" Set Screw	(6)
27	06-75-3150	1/4-20x1" Socket Head Screw	(3)
28	44-80-0110	Rack	
30	43-48-0050	Adjusting Gib	
31	43-33-0150	Grease Ftg.	(2)
32	45-08-0050	Shaft	
33	45-36-0300	Spacer	
34	06-65-1650	1/4" Dia. x 1-1/4" Roll Pin	(3)
35	32-60-1001	Pinion Gear	
36	45-36-0310	Spacer	
37	45-88-0410	Spring Washer	
38	28-50-7801	Support Housing	
39	30-84-0101	Slide	
40	06-75-3050	1/4-20x3/4" Socket Hd. Screw	(4)
41	06-75-3405	1/4-20x2-1/4" Soc. Hd. Scr.	(3)
42	22-26-0030	Bulb	
43	23-28-0050	Lens	

MISCELLANEOUS PARTS NOT SHOWN

12-17-3100 Name Plate

Numbers in brackets indicate number required.