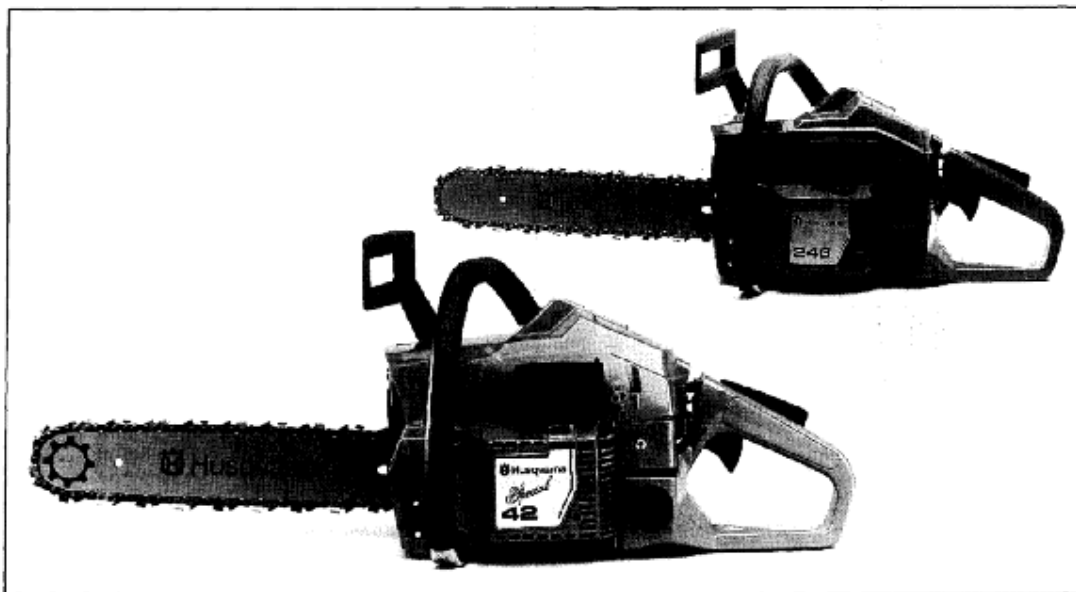


42/246



1.1995

Spare parts

Ersatzteile

Pièces détachées

Reserve onderdelen

Repuestos

Reservdelar

Replaces

Ersetzt

Remplace

Vervangt

Reemplaza

Ersätter

106 22 68-62

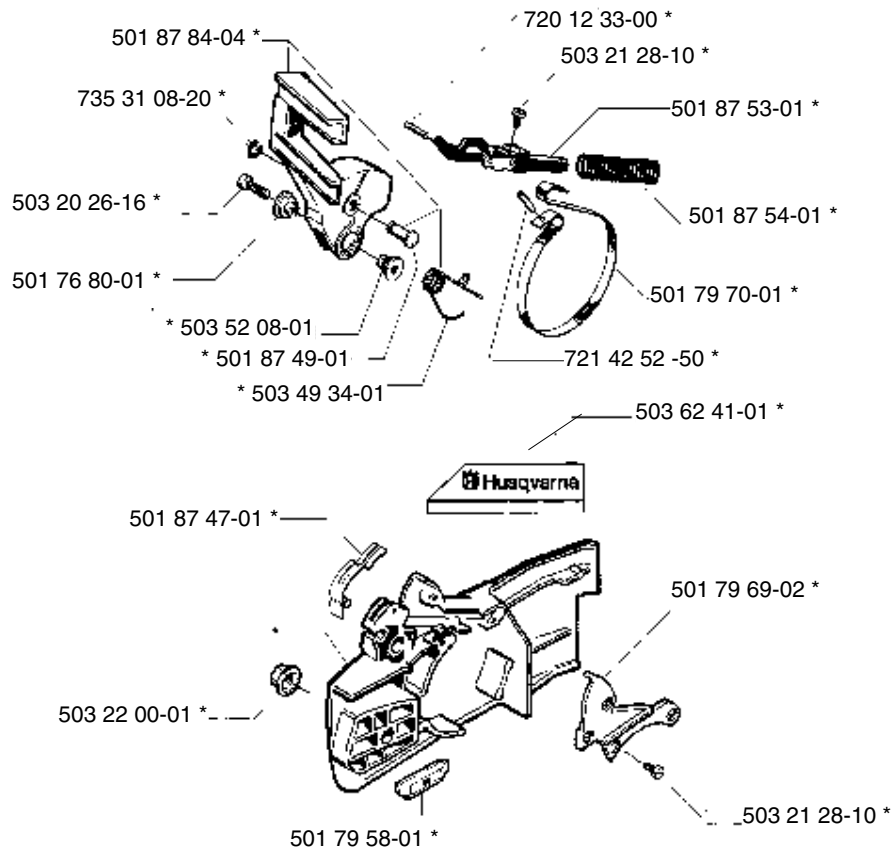
| PART NUMBER | SQUARE | NOTE | PART NUMBER | SQUARE | NOTE | PART NUMBER | SQUARE | NOTE | PART NUMBER | SQUARE | NOTE |
|--------------|--------|------|--------------|--------|------|--------------|--------|------|--------------|--------|------|
| 501 43 00-01 | J | | 501 81 96-02 | E | | 503 49 85-01 | F | | 737 44 10-00 | C | |
| 501 45 27-02 | J | | 501 81 99-01 | K | | 503 49 89-01 | F | | 738 22 01-25 | G | |
| 501 45 41-01 | J | | 501 83 56-01 | E | | 503 50 15-01 | J | | | | |
| 501 45 43-01 | J | | 501 83 58-02 | D | | 503 50 53-02 | K | | | | |
| 501 45 52-01 | H | | 501 83 88-03 | E | | 503 51 14-01 | J | | | | |
| 501 45 74-02 | H | | 501 83 89-01 | | Y | 503 52 02-01 | M | | | | |
| 501 46 69-01 | M | | 501 83 93-01 | J | | 503 52 08-01 | A | | | | |
| 501 46 86-01 | M | | 501 83 97-01 | K | | 503 52 12-01 | H | | | | |
| 501 46 87-01 | M | | 501 83 98-01 | K | | 503 53 67-01 | | Y | | | |
| 501 48 54-02 | K | | 501 86 20-02 | D | | 503 53 67-02 | | Y | | | |
| 501 49 27-03 | K | | 501 86 21-02 | D | | 503 53 67-04 | G | | | | |
| 501 54 41-02 | H | | 501 86 25-02 | D | | 503 54 39-01 | L | | | | |
| 501 54 63-01 | J | | 501 86 60-02 | C | | 503 55 22-01 | C | | | | |
| 501 55 10-01 | J | | 501 86 60-03 | C | | 503 55 79-01 | H | N | | | |
| 501 58 36-01 | | Y | 501 87 23-01 | H | | 503 55 85-01 | N | | | | |
| 501 58 39-01 | | Y | 501 87 31-01 | E | | 503 56 21-01 | M | | | | |
| 501 59 40-02 | G | | 501 87 38-02 | J | | 503 56 24-01 | M | | | | |
| 501 61 49-01 | G | | 501 87 47-01 | A | | 503 56 25-01 | M | | | | |
| 501 61 58-01 | H | | 501 87 49-01 | A | | 503 56 34-01 | M | | | | |
| 501 62 05-02 | J | | 501 87 53-01 | A | | 503 57 42-01 | M | | | | |
| 501 62 21-01 | D | | 501 87 54-01 | A | | 503 57 66-73 | C | N | | | |
| 501 62 33-01 | J | | 501 87 64-01 | M | | 503 57 68-71 | C | | | | |
| 501 62 35-02 | H | | 501 87 65-01 | H | | 503 57 76-01 | E | | | | |
| 501 62 43-01 | H | | 501 87 84-04 | A | | 503 57 89-01 | E | | | | |
| 501 62 66-02 | J | | 502 25 46-01 | M | | 503 60 73-01 | J | | | | |
| 501 62 68-01 | J | | 503 08 46-01 | E | | 503 61 45-01 | M | | | | |
| 501 62 81-02 | J | | 503 09 89-04 | | #N | 503 61 48-01 | M | | | | |
| 501 62 86-01 | D | | 503 10 87-01 | M | | 503 62 41-01 | A | | | | |
| 501 62 87-01 | E | | 503 15 19-03 | D | | 503 62 52-01 | M | | | | |
| 501 62 87-03 | E | | 503 15 19-05 | D | | 503 65 71-01 | H | | | | |
| 501 62 90-03 | K | | 503 15 19-06 | D | | 503 66 54-01 | C | | | | |
| 501 62 95-01 | J | | 503 15 22-02 | D | | 503 66 70-03 | L | | | | |
| 501 62 98-01 | E | | 503 16 69-01 | H | | 503 66 70-05 | L | | | | |
| 501 63 02-01 | L | | 503 17 32-01 | | Y | 503 71 79-01 | K | | | | |
| 501 63 05-01 | L | | 503 17 63-01 | M | | 503 72 99-01 | C | N | | | |
| 501 63 06-01 | L | | 503 20 02-10 | F | | 503 72 99-02 | C | N | | | |
| 501 63 15-02 | | Y | 503 20 02-80 | F | | 503 73 00-72 | C | N | | | |
| 501 63 48-01 | K | | 503 20 26-16 | A | | 503 73 02-71 | C | N | | | |
| 501 63 60-03 | | Y | 503 20 32-19 | D | | 503 74 20-01 | H | N | | | |
| 501 63 66-03 | H | | 503 20 32-28 | B | | 504 21 00-16 | H | | | | |
| 501 63 97-01 | B | | 503 21 06-19 | K | | 504 21 00-48 | M | | | | |
| 501 66 48-01 | H | | 503 21 07-16 | L | | 504 35 09-15 | M | | | | |
| 501 66 49-01 | H | | 503 21 27-10 | F | | 504 86 04-08 | M | | | | |
| 501 66 61-01 | M | | 503 21 28-10 | A | | 505 30 51-25 | L | | | | |
| 501 66 62-01 | M | | 503 21 29-06 | HL | | 505 31 67-17 | M | | | | |
| 501 66 67-01 | M | | 503 22 00-01 | A | | 505 52 01-25 | M | | | | |
| 501 66 69-01 | M | | 503 23 00-01 | K | | 530 03 50-15 | M | | | | |
| 501 66 70-01 | M | | 503 23 00-04 | H | | 720 12 33-00 | A | | | | |
| 501 66 72-01 | M | | 503 23 00-35 | L | | 720 12 40-20 | E | | | | |
| 501 66 73-01 | M | | 503 23 00-42 | K | | 720 12 42-20 | E | | | | |
| 501 66 77-01 | M | | 503 23 51-08 | C | | 720 13 07-10 | J | | | | |
| 501 66 78-01 | M | | 503 26 30-17 | E | | 721 42 52-50 | A | | | | |
| 501 66 83-01 | M | | 503 28 10-17 | | Y | 724 13 28-55 | L | | | | |
| 501 66 84-01 | M | | 503 28 10-19 | DM | | 724 13 32-55 | L | | | | |
| 501 67 32-01 | K | | 503 28 90-05 | C | | 725 52 87-55 | J | | | | |
| 501 69 17-01 | N | | 503 28 90-10 | C | N | 725 52 91-55 | K | | | | |
| 501 76 80-01 | A | | 503 40 12-01 | J | | 725 52 93-56 | H | | | | |
| 501 79 25-01 | D | | 503 41 38-02 | E | | 725 53 23-05 | D | | | | |
| 501 79 42-03 | L | | 503 41 39-02 | E | | 725 53 27-55 | D | | | | |
| 501 79 43-02 | L | | 503 41 41-01 | CG | | 725 53 29-55 | JK | | | | |
| 501 79 44-01 | L | | 503 44 32-01 | E | | 725 53 30-55 | J | | | | |
| 501 79 46-01 | L | | 503 44 49-01 | | Y | 725 53 32-55 | C | | | | |
| 501 79 52-01 | | Y | 503 45 59-01 | B | | 725 53 33-55 | J | | | | |
| 501 79 58-01 | AJ | | 503 45 59-06 | B | N | 725 53 37-55 | J | | | | |
| 501 79 64-02 | D | | 503 48 45-01 | E | | 725 53 39-55 | J | | | | |
| 501 79 67-05 | A | | 503 48 56-01 | F | | 725 53 41-55 | C | | | | |
| 501 79 69-02 | A | | 503 48 57-01 | J | | 729 57 09-01 | K | | | | |
| 501 79 70-01 | A | | 503 48 58-01 | F | | 731 23 18-01 | K | | | | |
| 501 79 90-01 | F | | 503 48 66-02 | N | | 734 11 46-01 | DJ | | | | |
| 501 81 27-01 | K | | 503 49 34-01 | A | | 735 31 08-20 | A | | | | |
| 501 81 28-01 | K | | 503 49 69-03 | D | | 735 88 04-00 | G | | | | |

#= 503 09 89-04
Set of gaskets
Dichtungssatz
Jeu de joints
Juego de juntas
Packningssats

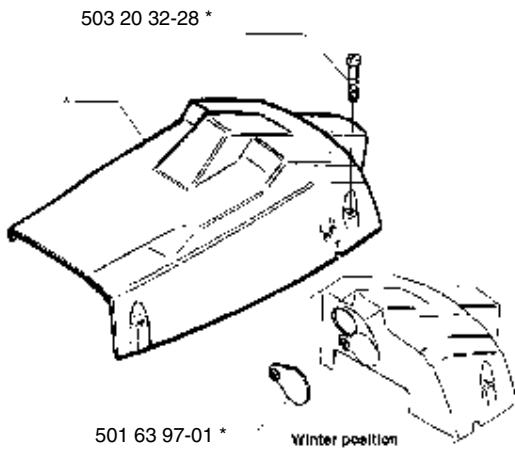
N= New part
Neues Teil
Nouvelle piece
Nueva pieza
Ny detalj

Y= See square Y
Siehe Viereck Y
Voir carreau Y
Vease cuadro Y
Se ruta Y

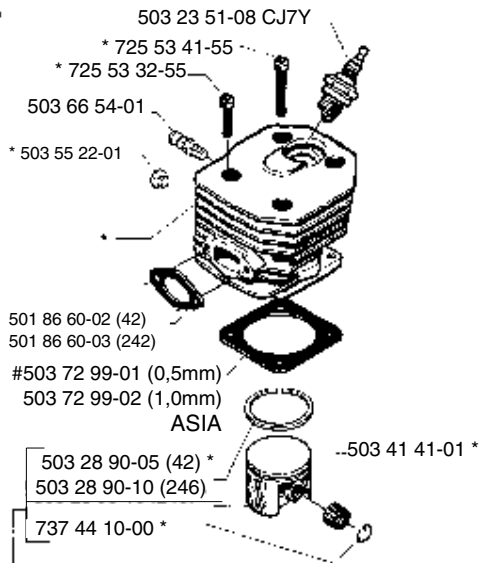
A *compl 501 79 67-05



B *compl 503 45 59-01
*compl 503 45 59-06 (USA)

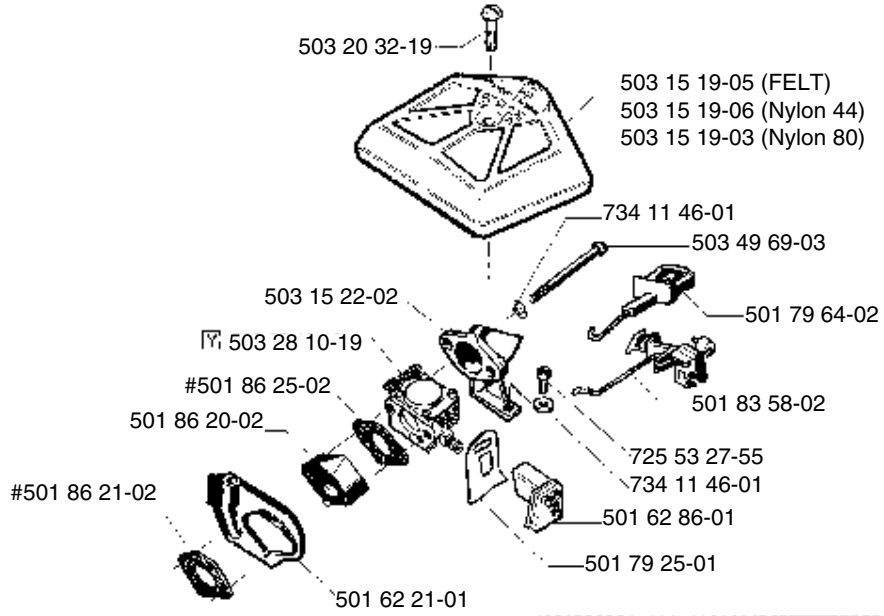


C *compl 503 57 66-73 (42)
*compl 503 73 00-72 (246)

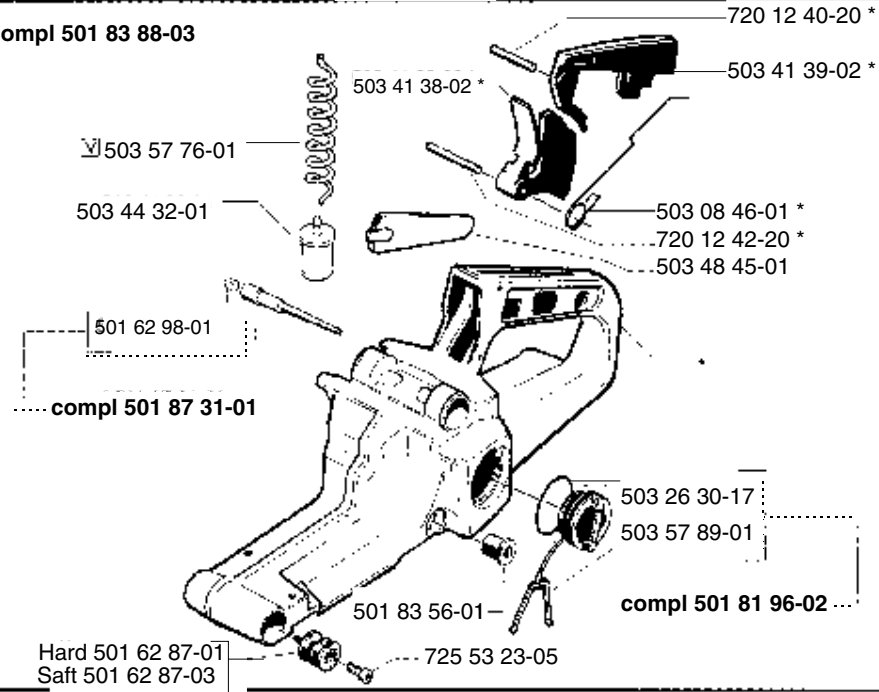


compl 503 57 68-71 (42)
compl 503 73 02-71 (246)

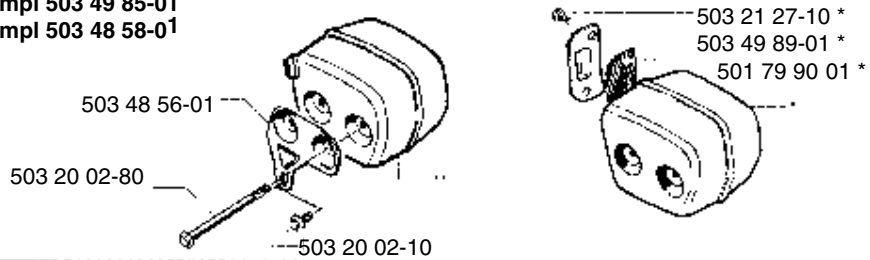
D



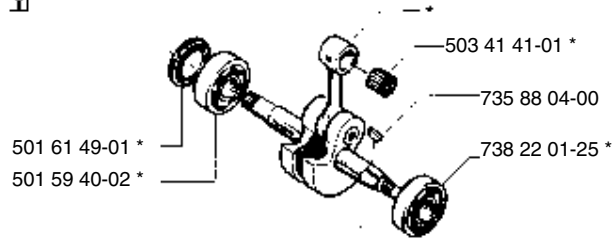
E *compl 501 83 88-03



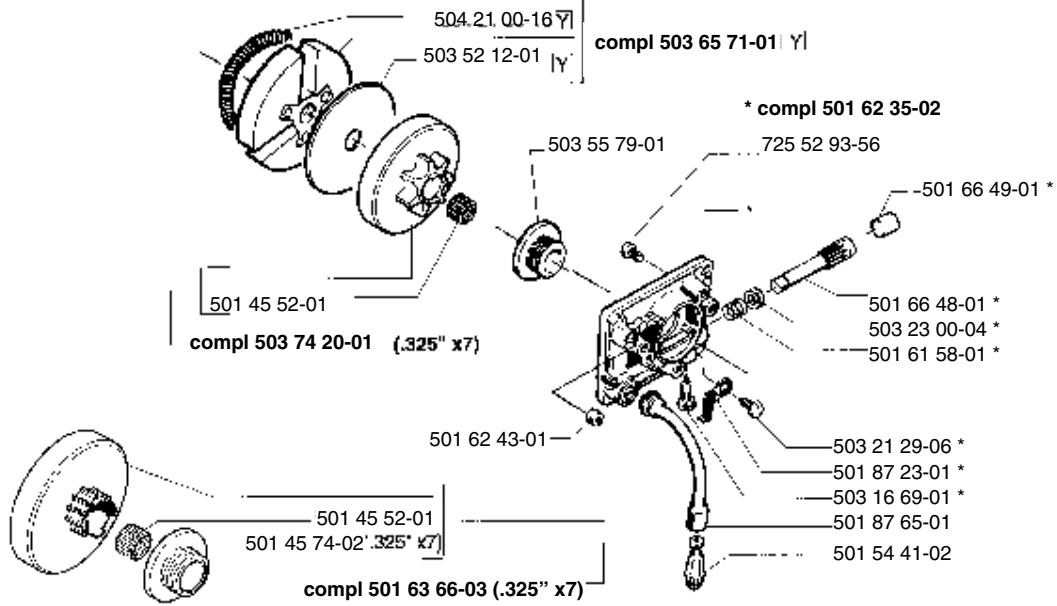
F *compl 503 49 85-01
**compl 503 48 58-01



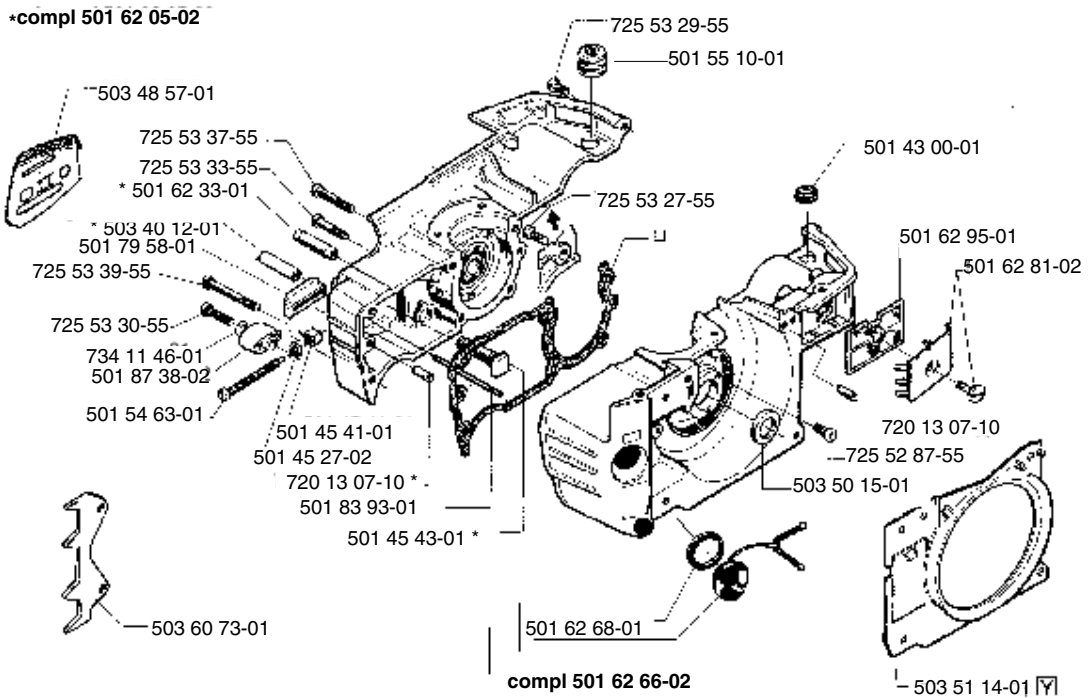
G * compl 503 53 67-04 



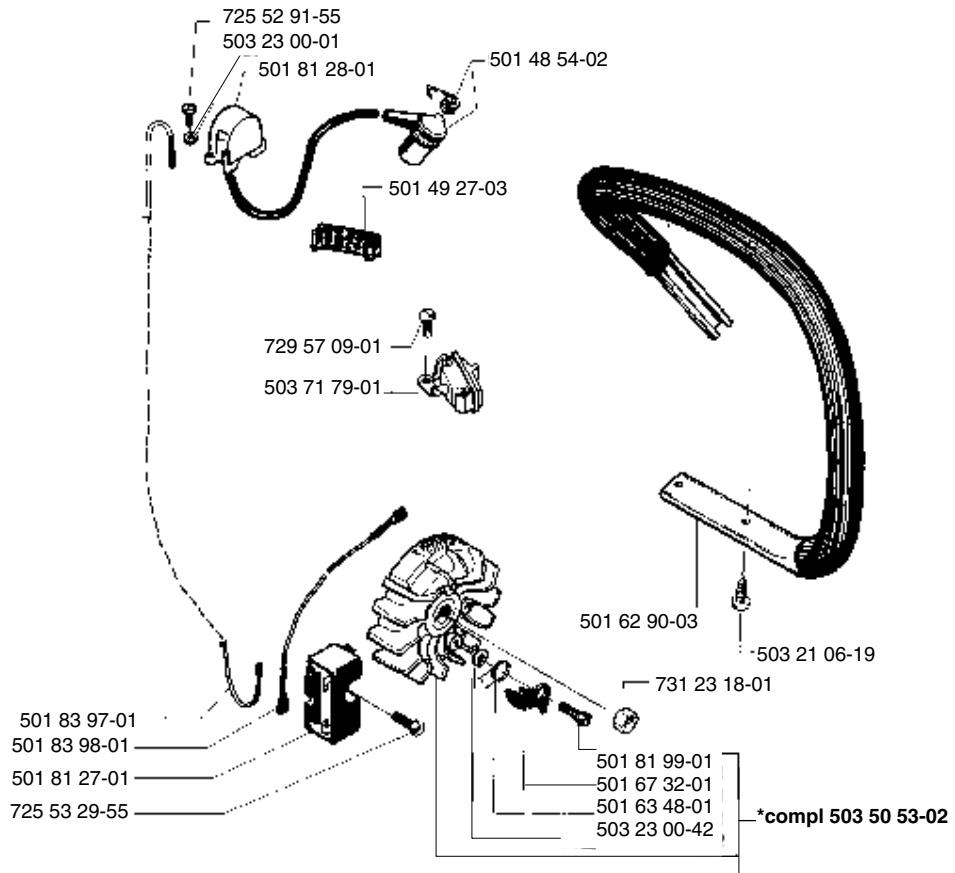
H



J

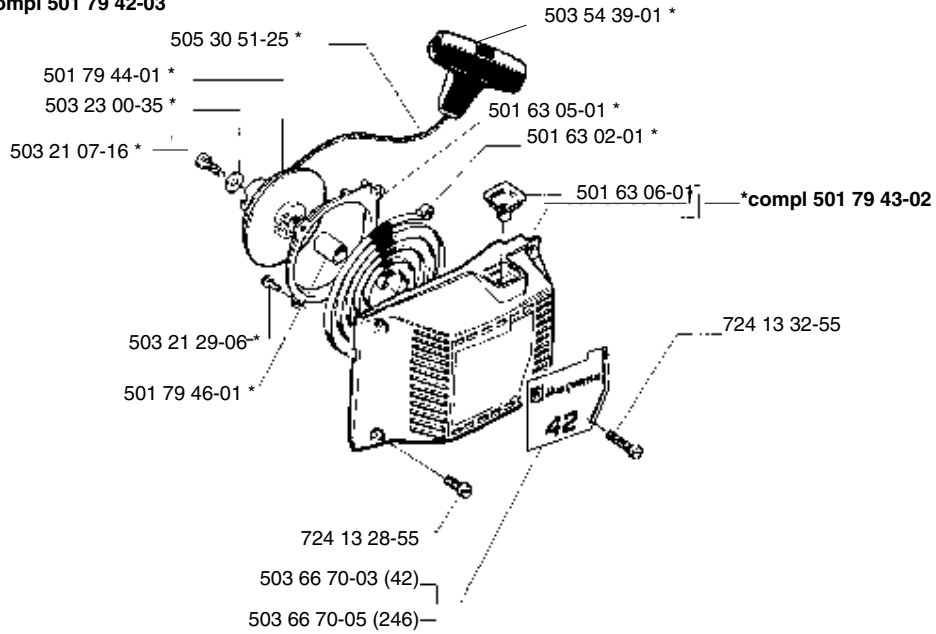


K



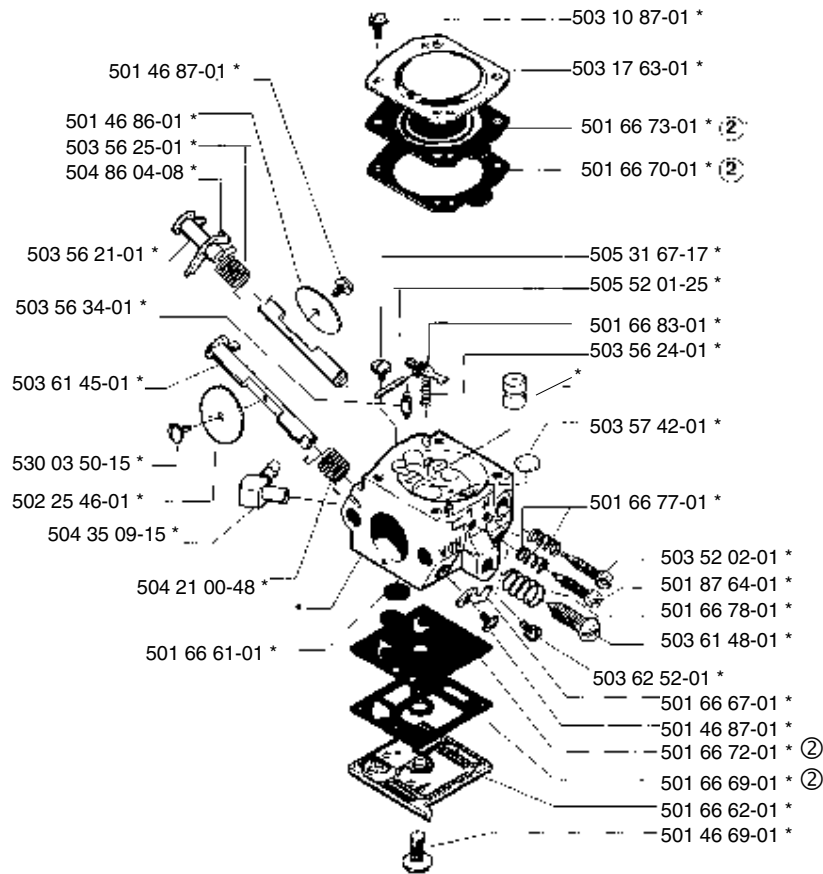
L

*compl 501 79 42-03



M *compl 503 28 10-19 (P)

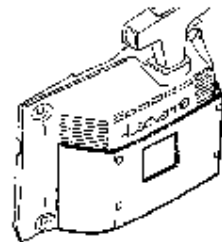
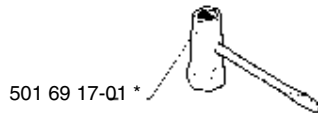
Walbro HDA-98



② 501 66 84-01*
Set of gaskets
Dichtungssatz
Jeu de joints
Juego de juntas
Packingsatz

N *compl 503 55 85-01

Accessories
Zubehöre
Accessoires
Accesorios
Tillbehör

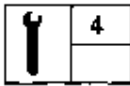


503 48 66-02 Winter, blue

Y

HDA 34
503 17 32-01

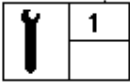
Serial number:
≥923 0720



HDA 84
503 28 10-17

503 53 67-01

Serial number:
≥045 0747

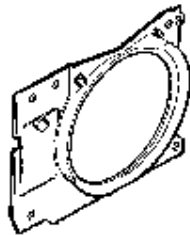
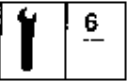


503 53 67-02

Serial number:
≥411 0291

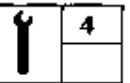
501 63 15-02

Serial number:
≥105 0408



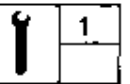
501 79 52-01

Serial number:
≥118 0239



501 63 60-03

Serial number:
≥126 0350



Compl. 503 44 49-01

Serial number:
≥439 0201

