



SERVICE PARTS LIST

BUL.54-46-1201

VAC-U-MITE

REVISED BUL
6289-2

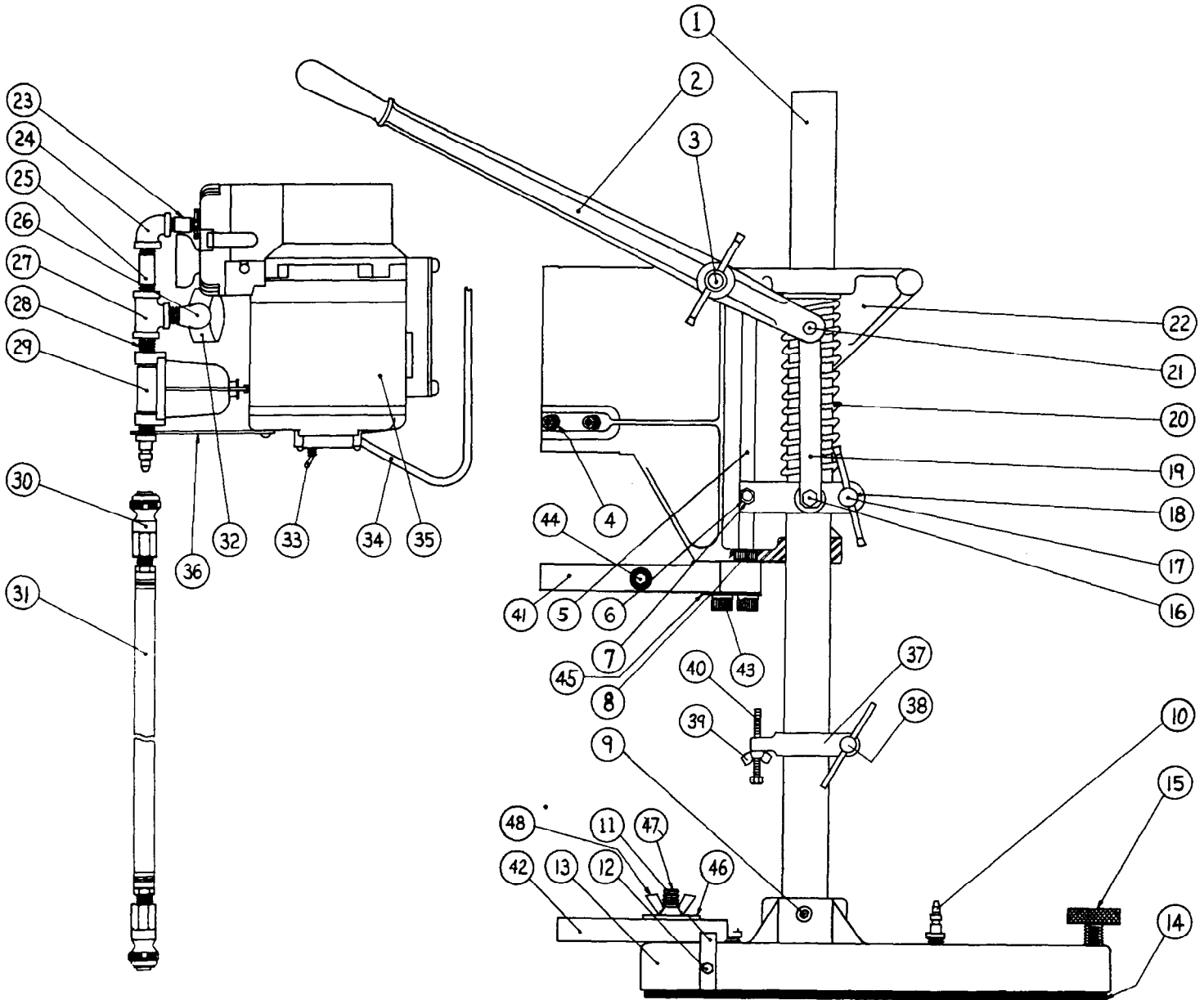
DATE
April '68

Catalog No. 4182

Starting
Serial No.

WIRING INSTR.

Both Model and Serial No. must be furnished to obtain correct parts.





SERVICE PARTS LIST

VAC-U-MITE

ILLUSTRATED PARTS

FIG.	PART NO.	DESCRIPTION OF PART	FIG.	PART NO.	DESCRIPTION OF PART	
1	44-74-0091	Post	24	43-33-0220	1/4"x90 Deg. Elbow	
2	28-44-1081	Handle	25	43-33-0235	1/4" Pipe Nipple 2" Long	
3	45-04-0240	T-Screw Assembly	26	43-33-0190	1/4" Street L	
4	45-04-0160	Drill Clamping Screw	27	43-33-0200	1/4" Tee	
5	42-18-0100	Guide Bar	28	43-33-0210	1/4" Close Nipple	
6	06-75-0150	1/4-20x1" Adjusting Hex Screw	29	43-31-0010	Filter	
7	06-55-1500	1/4-20 Adj. Screw Locknut	30	42-90-0120	Female Disconnect (2)	
8	42-40-0150	Guide Bar Lock Bushing	31	14-37-0150	8' Hose Assembly	
9	06-75-4850	3/8-16x1/2" Socket Hd. Cap Screw	32	43-46-0100	Vacuum Gage	
10	42-90-0110	Male Disconnect	33	23-66-0360	Switch	
11	42-28-0110	Block	34	22-64-0210	Cord Set	
12	06-75-0150	1/4-20x1" Hex Hd. Cap Screw	(2)	*35	49-50-0130	Vacuum Pump (Complete with cord
13	28-06-0301	Base	(2)	*36	45-56-0081	Pipe Strap
14	43-44-0090	Vacuum Disc Gasket	(2)	37	30-86-0101	Bar Collar Stop
15	45-04-0260	Thumb Screw Assembly	(2)	38	45-04-0150	T-Screw Assembly
16	06-75-0500	3/8-16x1" Hex Hd. Cap Screw	(2)	39	06-59-1500	5/16-18 Bar Collar Stop Wing Nut
17	45-04-0250	T-Screw Assembly	(2)	40	06-83-4550	5/16-18x3" Sq. Hd. Set Screw
18	28-17-0601	Bar Clamp	(2)	41	28-17-1001	Clamp
19	44-14-0050	Link	(2)	42	30-78-0401	"V" Rest
20	40-50-4100	Coil Spring	(2)	43	06-75-4700	3/8-16x1-1/2" Socket Hd. Cap Screw (2)
21	06-65-2800	7/16x1-1/4 Driv-Loc Pin	(2)	44	06-75-4800	3/8-16x2" Socket Hd. Cap Screw (2)
22	28-23-3401	Cradle	(2)	*45	45-88-5261	7/8x3/8x1/16 Flat Washer (2)
23	43-33-0230	1/4" Pipe Nipple 1-1/2" Long	(2)	46	45-88-5300	1x13/32x1/8 Flat Washer
				47	06-92-1025	3/8-16x1-3/4 Stud
				48	06-59-1000	3/8-16 Wing Nut

MISCELLANEOUS PARTS NOT SHOWN

PART NO.	DESCRIPTION OF PART
49-96-0070	Allen Wrench For Drill Clamping Screw
44-66-0320	Switch Plate
45-36-0260	Spacer
12-17-2020	Name Plate
06-77-0400	4x3/16 Name Plate Screw (4)
44-98-0050	Guide Bar Runner
49-96-0120	Allen Wrench For 3/8" Cap Screws
*48-03-0010	Plug Adaptor