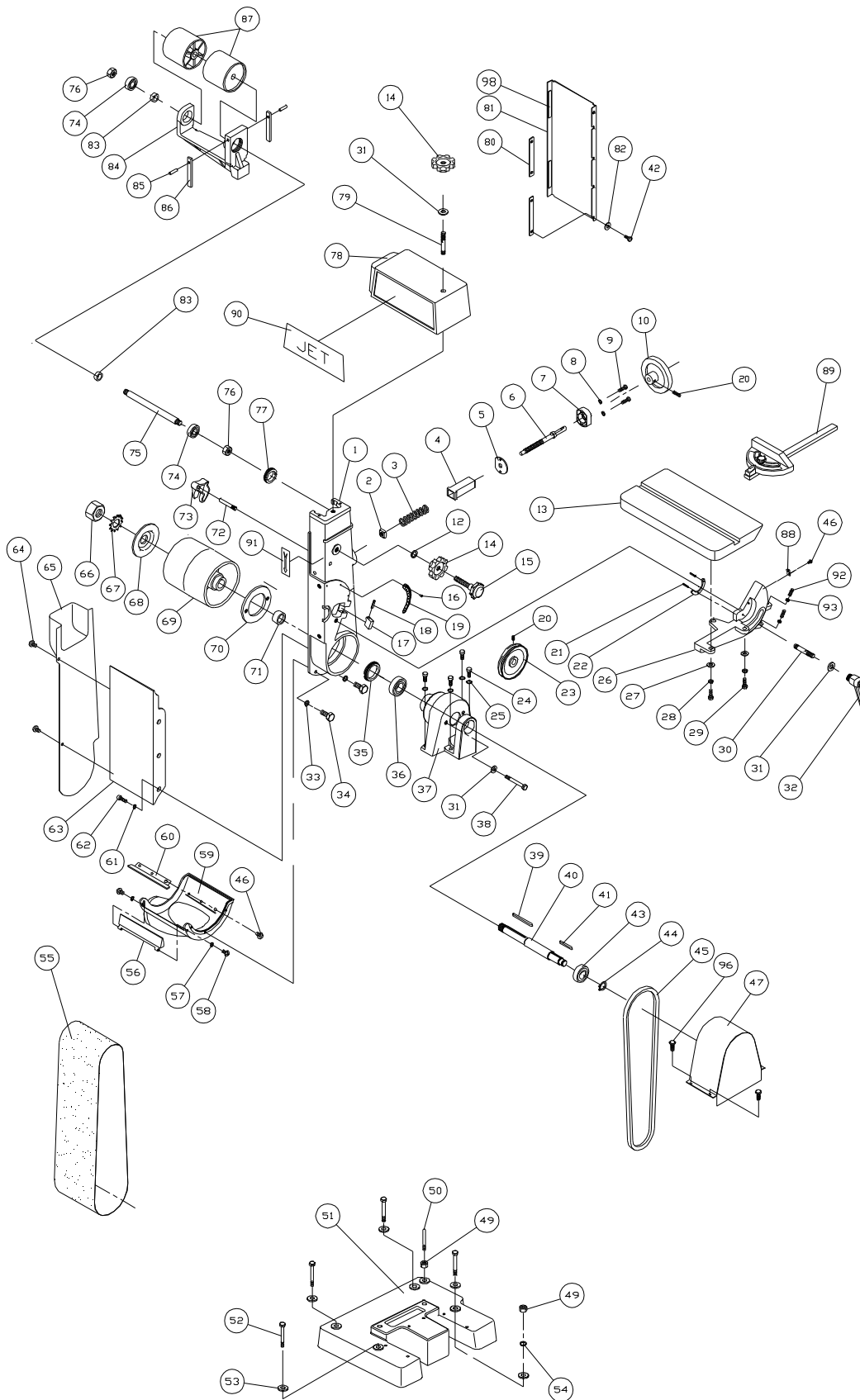


11.2.1 Model J-4300A Belt Sander Assembly – Exploded View

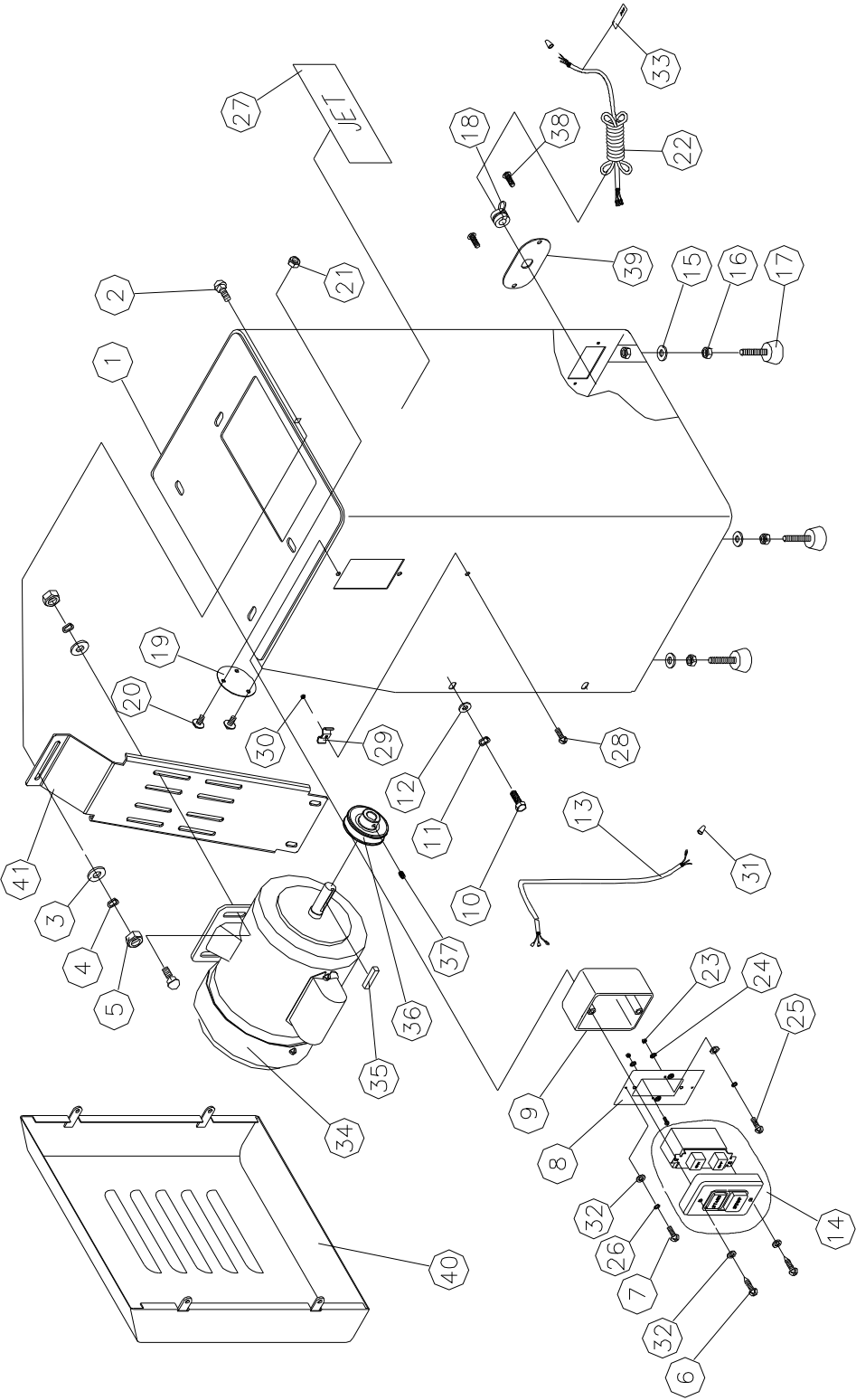


11.2.2 Model J-4300A Belt Sander Assembly – Parts List

Index No	Part No	Description	Size	Qty
1	J-5508427	Bracket		1
2	5511833	Square Nut	M10	1
3	5051081	Spring		1
4	5051091	Sleeve		1
5	5051131	Collar		1
6	5508431	Shaft with Collar		1
7	J-5051151	Cap		1
8	TS-2361051	Lock Washer	M5	2
9	TS-1513051	Socket Head Flat Screw	M5x25	2
10	5051721	Hand Wheel		1
12	TS-1550071	Flat Washer	M10	1
13	J-5508432	Tilting Table		1
14	5508450	Hand Knob		2
15	5508429	Belt Adj. Knob	M10	1
16	5511824	Drive Screw	Ø2x5	3
17	5508437	Stop Lock		1
18	5511828	Groove Pin	Ø5x45	1
19	5051351	Tilting Scale		1
20	TS-1523011	Socket Set Screw	M6x6	2
21	5511827	Groove Pin	Ø4x8	2
22	5051331	Segment		1
23	5511725	4200 Arbor Pulley		1
24	TS-1504061	SHCS	M8x30	4
25	TS-2361081	Lock Washer	M8	4
26	J-5508433	Trunnion		1
27	TS-1550061	Flat Washer	M8	3
28	TS-2361081	Lock Washer	M8	3
29	TS-1490041	Hex Cap Screw	M8x25	3
30	5508435	Stud	M10	1
31	TS-1550071	Flat Washer	M10	4
32	5508436	Acorn Nut and Handle		1
33	TS-2361061	Lock Washer	M6	3
34	TS-1482031	Hex Cap Screw	M6x16	3
35	5508439	Preload Bushing	M54	1
36	BB-6205ZZ	Ball Bearing	6205ZZ	1
37	J-5508438	Bearing Housing		1
38	TS-2210951	Hex Cap Screw	M10x140	2
39	5051421	Key	5x5x70	1
40	5508442	Drive Shaft		1
41	5051451	Key	5x5x35	1
42	TS-1482034	Hex Cap Screw	M6x16	4
43	BB-6204ZZ	Ball Bearing	6204ZZ	1
44	5051471	Retaining Ring	S20	1
45	VB-A59	V-Belt	17610	1
46	TS-2245081	Socket Head Flat Screw	M5x8	4
47	5508445	Belt Guard Assembly		1
49	TS-1540071	Hex Nut, Full	M10	5
50	5508446	Stop Pin		1
51	J-5508448	Base		1
52	TS-2210801	Hex Cap Screw	M10x80	4
53	TS-1550071	Flat Washer	M10	8
54	TS-2361101	Lock Washer	M10	6
55	5051841	Garnet Belt		1
56	J-5508455	Deflector Plate		1
57	TS-2361051	Lock Washer	M5	2
58	TS-1513021	Socket Head Flat Screw	M5x12	2

Index No	Part No	Description	Size	Qty
59	J-5508454	Drive Drum Guard		1
60	5508456	Dust Deflector		1
61	TS-2361101	Lock Washer	M10	3
62	TS-1491021	Hex Cap Screw	M10x20	3
63	J-5508457	Platen		1
64	TS-1514011	Socket Head Flat Screw	M6x12	2
65	J-5051601A	Side Guard		1
66	TS-1540231	Hex Nut	M24x18	1
67	9058121	Lock Washer, Ext	M24	1
68	5051981	Spacer		1
69	5051971A	Drive Drum		1
70	5508458	Clamp Ring		1
71	5544728	Drum Spacer		1
72	5051031	Tension Lever Pin		1
73	5051021	Belt Tension Lever		1
74	BB-6202ZZ	Ball Bearing	6202ZZ	2
75	5508461	Idler Drum Shaft with Lock Nut		1
76	TS-2342121	Nylon Lock Hex Nut	M12	2
77	5508460	Bearing Lock Nut		1
78	J-5051591A	Idler Drum Guard		1
79	5508462	Stud		1
80	5508463	Clamp Bar		2
81	J-5052121	Bottom Guard		1
82	TS-2361061	Lock Washer	M6	4
83	5052061B	Idler Drum Spacer		2
84	J-5508459	Idler Pin Bracket		1
85	TS-0367061	Roll Pin	1/4"x1-1/4"	2
86	5052001	Block		2
87	5052061A	Idler Drum		2
88	5508434	Pointer		1
89	5052271	Deluxe Miter Gauge		1
90	4200A-104J	JET Logo Plate		1
91	4200A-105	Label, Direction		1
92	TS-1482081	Hex Cap Screw	M6x40	2
93	TS-1540041	Hex Nut, Full	M6	2
96	5511818	Pan Head Screw	M5x6	4
98	4200A-113	Sponge	300x7.5mm,t=2mm	2

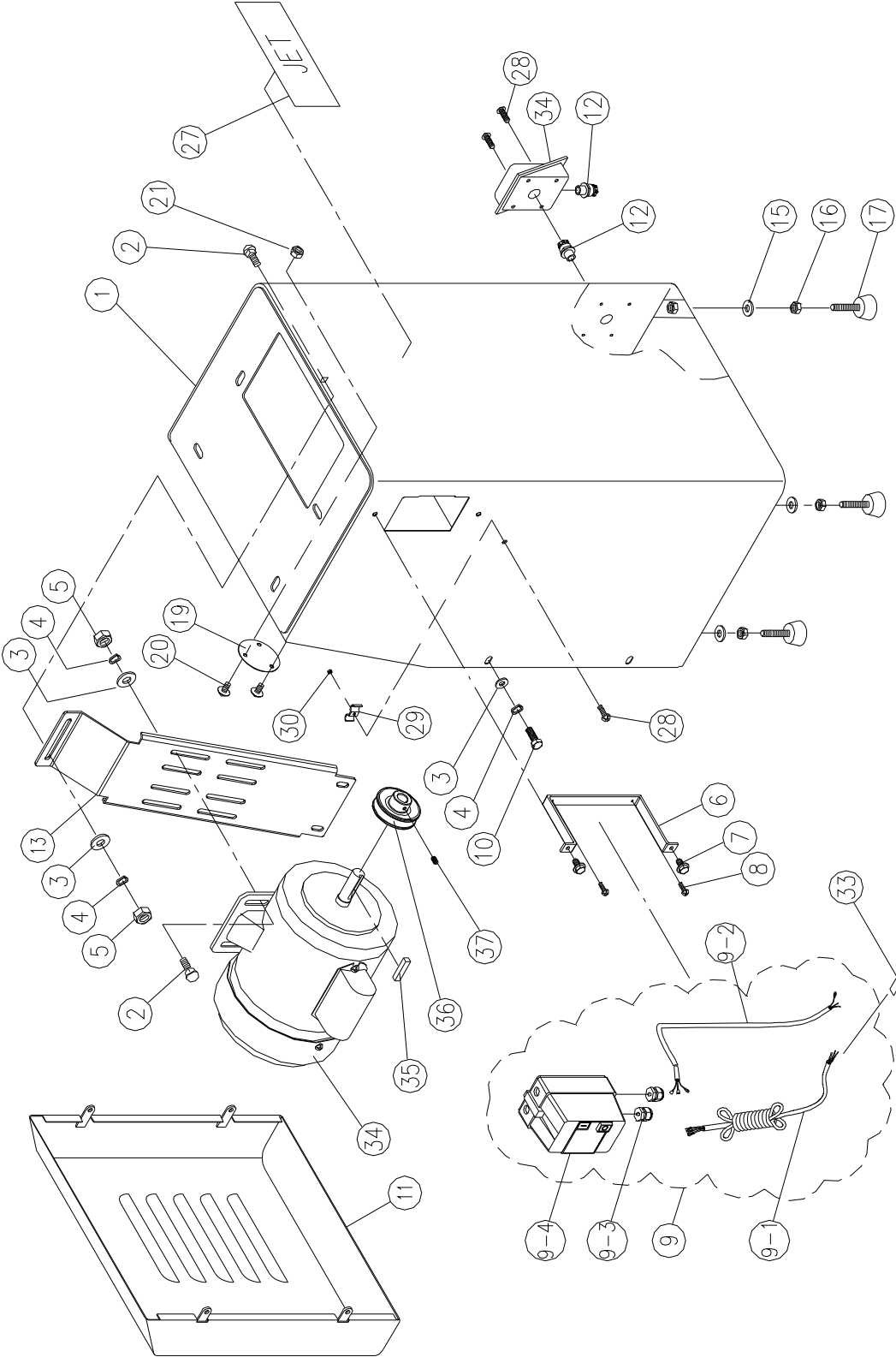
11.4.1 Base Assembly: All 1 Phase Models – Exploded View



11.4.2 Base Assembly: All 1 Phase Models – Parts List

Index No	Part No	Description	Size	Qty
1	J-5511743	Enclosure		1
2	TS-1490031	Hex Cap Screw	M8x20	7
3	TS-1550061	Flat Washer	M8	7
4	TS-2361081	Lock Washer	M8	7
5	TS-1540061	Hex Nut	M8	7
6	5511753	Tapping Bolt w/Washer		2
7	TS-2284082	Pan Head Screw	M4x8	2
8	4200A-B335	Switch Cover		1
9	5514703	Switch Box		1
10	TS-1490011	Hex Cap Screw	M8x12	4
11	TS-2361081	Lock Washer	M8	4
12	TS-1550061	Flat Washer	M8	4
13	4200A-B336	Motor Cord	1PH	1
14	9139391	Switch		1
15	TS-2360121	Flat Washer	M12	4
16	TS-1540081	Hex Nut	M12	4
17	5511745	Adjustable Mount		4
18	4200A-418	Strain Relief Bushing	6N3-4	1
19	4200A-B320	Cover		1
20	4200A-B321	Pan Head Bolt w/Flange		3
21	TS-1540041	Hex Nut	M6	3
22	9133081	Power Cord	1PH	1
23	TS-1540031	Hex Nut	M5	2
24	TS-0733203	Lock Washer, Ext	M5	2
25	4200A-B325	Pan Head Screw	M5X8	2
26	TS-2361041	Lock Washer	M4	4
27	JETLOGO-1	JET Logo	2-3/4"x8"	1
28	TS-1533052	Pan Head Screw	M5x16	1
29	4200A-B330	Cord Clamp		1
30	TS-1540031	Hex Nut	M5	1
31	4200A-B332	Wiring Nut		2
32	TS-1550021	Flat Washer	M4	6
33	4200A-B334	Label, Voltage		1
34	J-5514650	Motor	1-1/2HP 115/230V 1Ph	1
35	5512937	Key	5x5x35 mm	1
36	4200A-436	Motor Pulley		1
37	TS-1523011	Socket Set Screw	M6x6	1
38	TS-1533042	Pan Head Screw	M5X12	2
39	4200A-439	Strain Relief Plate		1
40	J-5511729	Large Cover		1
41	J-5052431	Motor Mounting Plate		1
	9145531	Machine Safety Label (not shown)		1

11.5.1 Base Assembly: All 3 Phase Models – Exploded View



11.5.2 Base Assembly: All 3 Phase Models – Parts List

Index No	Part No	Description	Size	Qty
1	4202A-501	Enclosure		1
2	TS-1490031	Hex Cap Screw	M8x20	7
3	TS-1550061	Flat Washer	M8	11
4	TS-2361081	Lock Washer	M8	11
5	TS-1540061	Hex Nut	M8	7
6	4202A-506	Switch Seat		1
7	4202A-507	Pan Head Screw w/Flange	M8x12	2
8	TS-1532042	Pan Head Screw	M4x12	2
9	4202A-509	Magnetic Switch Assembly	1.5HP	1
9-1	4202A-5091	Power Cord	3Ph	1
9-2	4202A-5092	Motor Cord	3Ph	1
9-3	4202A-5093	Strain Relief	PG13.5	2
9-4	4202A-5094	Magnetic Switch	1.5HP/230V/3PH	1
9-4	4202A-5095	Magnetic Switch	1.5HP/460V/3PH	1
10	TS-1490011	HHCS	M8x12	4
11	J-5511729	Large Cover		1
12	4200A-5093	Strain Relief	PG13.5	2
13	J-5052431	Motor Mounting Plate		1
15	TS-2360121	Flat Washer	M12	4
16	TS-1540081	Hex Nut	M12	4
17	5511745	Adjustable Mount		4
19	4200A-B320	Cover		1
20	4200A-B321	Pan Head Bolt w/Flange		3
21	TS-1540041	Hex Nut	M6	3
27	JETLOGO-1	JET Logo	2-3/4"x8"	1
28	TS-1533052	Pan Head Screw	M5x16	3
29	4200A-B330	Cord Clamp		1
30	TS-1540031	Hex Nut	M5	1
33	4200A-B334	Label, Voltage		1
34	J-5514651	Motor	1-1/2HP 230/460V 3Ph	1
35	5512937	Key	5x5x35 mm	1
36	4200A-436	Motor Pulley		1
37	TS-1523011	Set Screw	M6x6	1
	9145531	Machine Safety Label (not shown)		1