

Figure 9: Exploded View of the VSF-14 Saw Frame

Parts List for VSF-14 Saw Frame				
Item	Part No.	Description	Size	Qty.
1	5519711	Blade Tension Knob		2
2	5519712	Blade Tension Handle		1
3	5519718	Flat Washer	5/8" x 40 x T3	2
4	5519713	Spring		1
5	5519714	Screw Rod		1
6	5519715	Bracket		1
7	TS-0680042	Flat Washer	3/8" x 23 x T2	2
8	TS-0209051	Socket Head Cap Screw	3/8-16 x 1-1/2"	2
9	5519716	Blade Wheel Slide Race		2
10	TS-0720091	Lock Washer	3/8"	6
11	TS-0209031	Socket Head Cap Screw	3/8-16 x 3/4"	6
12	5519717	Drive Shaft Holder		1
13	5519718	Flat Washer	5/8" x 40 x T3	1
14	TS-0561072	Hex Nut, Full	5/8-18	1
15	TS-0561072	Hex Nut, Full	5/8-18	1
16	5519719	Blade Wheel Slide		1
17	TS-0680042	Flat Washer	3/8"	4
18	TS-0209091	Socket Head Cap Screw	3/8-16 x 2"	4
19	TS-0060051	Hex Cap Screw	3/8-16 x 1"	1
20	TS-0813021	Flat Slotted Machine Screw	1/4-20 x 3/8"	1
21	TS-0680021	Flat Washer	1/4"	1
22	5519720	Tension Indicator		1
23	5519721	Rivet	2 x 8	2
24	5519722	Tension Label		1
25	5519723	Upper Blade Guide Handle	3/8" x 1"	1
26	5519724	Spring Pin	6 x 50	2
27	5519725	Upper Blade Guide Bracket		1
28	TS-0209091	Socket Head Cap Screw	3/8-16 x 2"	2
29	TS-0680042	Flat Washer	3/8"	2
30	TS-0207011	Socket Head Cap Screw	1/4-20 x 3/8"	1
31	5519726	Upper Blade Guide Slide		1
32	TS-0050021	Hex Cap Screw	1/4-20 x 5/8"	1
33	5519727	Spring Pin	6 x 25	1
34	5519728	Blade Guide Shaft		1
35	TS-0208011	Socket Head Cap Screw	5/16-18 x 3/8"	1
36	5519729	Upper Shaft		1
37	TS-0208021	Socket Head Cap Screw	5/16-18 x 1/2"	2
38	5519730	Blade Guide Mtg. Bracket		2
39*	5519731	Bearing Shaft Assembly		4
40	5519733	Blade Guide Knob	1/4" x 5/8"	1
41	5519734	Saw Blade Safety Cover		1
42	5519735	Special Washer		3
43	5519736	Eccentric Shaft		1
44*	5519737	Smooth Wheel Assembly		1
45	TS-0680061	Flat Washer	1/2"	1
46	TS-0070031	Hex Cap Screw	1/2-13 x 1-1/2"	1
47	TS-0090061	Hex Cap Screw	3/8-16 x 1-1/4"	2
48	TS-0570032	Hex Nut, Full	3/8-24	2
49	5519740	Saw Frame		1
50	5519741	Gearbox Pulley		1
51	5519742	Key	5 x 5 x 40	1
52*	5519743	Gear Box Assembly		1
53	5519766	V-Belt	3V-320	1

Parts List for VSF-14 Saw Frame				
Item	Part No.	Description	Size	Qty.
54	5519767	Drive Motor Pulley		1
55	TS-148201	Hex Cap Screw	M6 x 10	2
56	5519768	Motor	1HP, 1 Phase	1
	5521706	Motor	1HP, 3 Phase	1
57	5519769	Key	5 x 5 x 40L	1
58	TS-0570032	Hex Nut, Full	3/8-24	2
59	TS-0720091	Lock Washer	3/8"	2
60	5519770	Motor Mounting Bracket		1
61	TS-0060051	Hex Cap Screw	3/8-16 x 1"	2
62	TS-0570032	Hex Nut, Full	3/8-24	2
63	TS-0680042	Flat Washer	3/8"	4
64	5519771	Motor Mounting Bracket		1
65	TS-0209051	Socket Head Cap Screw	3/8-16 x 1"	2
66	TS-0720091	Lock Washer	3/8"	2
67	TS-0060051	Hex Cap Screw	3/8-16 x 1"	2
68	5519772	Eccentric Bolt		1
69*	5519773	Smooth Wheel Assembly		2
70	5519775	Flat Washer	1/4"	1
71	5519776	Counter Balance Bracket		1
72	TS-0680021	Flat Washer	1/4"	1
73	TS-0207021	Socket Head Cap Screw	1/4-20 x 1/2"	1
74	TS-0680041	Flat Washer	3/8"	2
75	TS-0060071	Hex Cap Screw	3/8-16 x 1-1/2"	1
76	TS-0070041	Hex Cap Screw	1/2-13 x 1-3/4"	1
77	TS-0720111	Lock Washer	1/2"	1
78	5519777	Eccentric Bracket		1
79	5519778	Eccentric Bolt		1
80	TS-0561051	Hex Nut, Full	1/2-13	2
81	TS-0680061	Flat Washer	1/2"	2
82	5519779	Brush Mounting Bracket		1
83	5519780	Brush		1
84	TS-0813032	Slotted Round Head Screw	1/4-20 x 1/2"	2
85	TS-0680021	Flat Washer	1/4"	2
86	TS-0813032	Slotted Round Head Screw	1/4-20 x 1/2"	2
87	5519781	Shaft Bolt		1
88	TS-0680042	Flat Washer	3/8"	1
89	5519782	Handle Lever		1
90	TS-0209061	Socket Head Cap Screw	3/8-16 x 1-1/4"	1
91	TS-0680042	Flat Washer	3/8"	2
92	5519783	Spring Pin	6 x 20	2
93	TS-0720091	Lock Washer	3/8"	2
94	TS-0209081	Socket Head Cap Screw	3/8-16 x 1-3/4"	2
95	TS-0051021	Hex Cap Screw	5/16-18 x 5/8"	1
96	5519784	Lower Blade Guide Bracket		1
97	5519785	Lower Blade Guide Shaft		1
98	5519786	Chip Scraper		1
99	TS-0680021	Flat Washer	1/4"	2
100	TS-0813032	Slotted Round Head Screw	1/4-20 x 1/2"	2
101	5519787	Drive Wheel		1
102	5519788	Plastic Pad		2
103	5519789	Flat Washer	10.5 x 40 x 5	1
104	TS-0060051	Hex Cap Screw	3/8-16 x 1"	1
105	5519790	Saw Blade	5/8" T x 19 x 0.9 x 3048L	1
106	5519791	Bolt		1

Parts List for VSF-14 Saw Frame				
Item	Part No.	Description	Size	Qty.
107*	5519792	Idler Wheel Assembly		1
108	5519795	Idler Wheel Shaft		1
109	5519796	Work Light		1
110	5519797	Door Handle	1/4"	2
111	TS-0680021	Flat Washer	1/4"	2
112	TS-0570032	Hex Nut, Full	3/8-24	2
113	TS-0680042	Flat Washer	3/8"	2
114	TS-0207011	Socket Head Cap Screw	1/4-20 x 3/8"	1
115	TS-0680021	Flat Washer	1/4"	1
116	5519798	Speed Indicator Dial		1
117	5519799	Flat Washer		1
118	5519800	Pad		1
119	5519801	Dial Knob		1
120	5519802	Dial Scale		1
121	5519803	Dial Base		1
122	TS-0813021	Slotted Flat Head Screw	1/4-20 x 3/8"	5
123	TS-0680021	Flat Washer	1/4"	5
124	5519804	Idler Wheel Cover		1
125	TS-0680021	Flat Washer	1/4"	1
126	TS-0561011	Hex Nut, Full	1/4-20	1
206	5521710	Hex Cap Screw	1/8" x 3/8"	4
207	5521711	Overload	16A (1PH Only)	1

* = See Separate Parts List

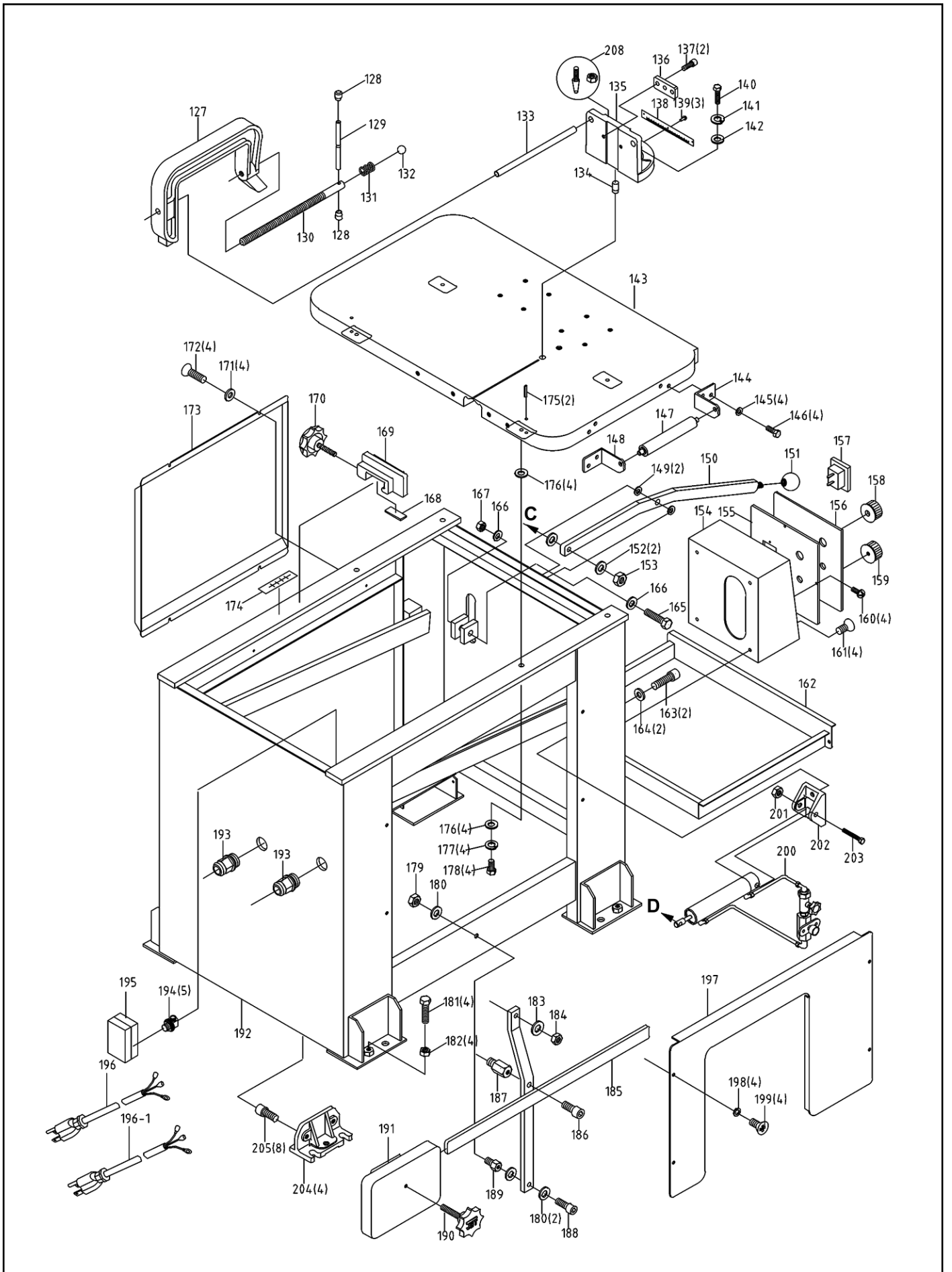


Figure 10: Exploded View of the VSF-14 Base

Parts List for the VSF-14 Base				
Item	Part No.	Description	Size	Qty.
127	5519805	C-clamp Vise		1
128	5519806	C-clamp Knob		2
129	5519807	C-clamp Handle		1
130	5519808	Lead screw		1
131	5519809	Spring		1
132	5519810	Ball	OD = 5mm	1
133	5519811	Shaft		1
134	5519812	Pivot Pin		1
135	5519813	Vise Base		1
136	5519814	Vise Bracket		1
137	TS-0208061	Socket Head Cap Screw	5/16-18 x 1	2
138	5519815	Degree Gauge		1
139	5519816	Rivet	2 x 8	3
140	TS-0209071	Hex Cap Screw	3/8-16 x 1-1/2"	1
141	TS-0720091	Lock Washer	3/8"	1
142	TS-0680041	Flat Washer	3/8"	1
143	5519819	Saw Table		1
144	5519820	Stock Roller Mtg. Bracket		1
145	TS-0720081	Lock Washer	5/16"	4
146	TS-0051051	Hex Cap Screw	5/16-18 x 1"	4
147	5519821	Stock Roller		1
148	5519822	Stock Roller Mtg. Bracket		1
149	TS-0680061	Flat Washer	1/2"	2
150	5519823	Return Lever		1
151	5519824	Plastic Handle		1
152	TS-0680042	Flat Washer	3/8"	2
153	TS-0570032	Hex Nut, Full	3/8-24	1
154	5519825	Control Box		1
155	5519826	Control Panel Cover		1
156	5519827	Control Panel Label		1
157	JMD18-056A	Power ON/OFF Switch	120/220/440V 3 Phase	1
158	5519829	Hydraulic ON/OFF Knob		1
159	5519830	Feed Rate Adjust Knob		1
160	5519831	Slotted Round Head Screw	3/16" x 1/2"	4
161	TS-0813051	Slotted Flat Head Screw	1/4-20 x 5/8"	4
162	5519833	Chip Collector Drawer		1
163	TS-0209031	Socket Head Cap Screw	3/8-16 x 3/4"	2
164	TS-0680042	Flat Washer	3/8"	2
165	TS-0070071	Hex Cap Screw	1/2-13 x 2-1/2"	1
166	TS-0680061	Washer	1/2"	2
167	TS-0561051	Hex Nut, Full	1/2-13	1
168	5519836	Stop Pad		1
169	5519837	Stop Bracket		1
170	5519838	Stop Bracket Knob	3/8" x 2"	1
171	TS-0680021	Flat Washer	1/4"	4
172	TS-0813051	Slotted Flat Head Screw	1/4-20- x 5/8"	4
173	5519841	Right Side Panel		1
174	5519842	Position Label		1
175	5519843	Spring Pin	6 x 45	2
176	TS-0680042	Flat Washer	3/8"	8
177	TS-0720091	Lock Washer	3/8"	1
178	TS-0060051	Hex Cap Screw	3/8-16 x 1"	4
179	TS-0570032	Hex Nut, Full	3/8-24	1
180	TS-0680042	Flat Washer	3/8"	4

Parts List for the VSF-14 Base				
Item	Part No.	Description	Size	Qty.
181	TS-0070071	Hex Cap Screw	1/2-13 x 2-1/2"	4
182	TS-0561051	Hex Nut, Full	1/2-13	4
183	TS-0680042	Flat Washer	3/8"	1
184	TS-0570032	Hex Nut, Full	3/8-24	1
185	5519845	Weight Mounting Bracket		1
186	TS-0208041	Socket Head Cap Screw	5/16-18 x 3/4"	1
187	5519846	Pivot Shaft		1
188	TS-0209091	Socket Head Cap Screw	3/8-16 x 2"	1
189	5519847	Coupler		1
190	5519848	Weight Knob	3/8-16 x 2"	1
191	5519849	Counterbalance Weight		1
192	5519850	Saw Base		1
193	5519851	Connector	PG13.5	2
194	5519852	Connector Mounting Nut		5
195	5519853	Control Box		1
196	5521707	Worklight Power Cable	115V Only	1
196-1	5519854	Power Cable with Plug	115V Only	1
197	5519855	Left Side Panel		1
198	TS-0680021	Flat Washer	1/4"	4
199	TS-081F032	Phillips Pan Head Screw	1/4-20 x 1/2"	4
200	5519857	Hydraulic Cylinder Assy.		1
201	TS-0561031	Hex Nut, Full	3/8-16	1
202	5519858	Cylinder Lower Support		1
203	TS-0060091	Hex Cap Screw	3/8-16 x 2-1/2"	1
204	5521798	Leg		4
205	5521709	Socket Head Cap Screw	3/8-16 x 1"	8
208	5521716	Taper Pin		1

* = See Separate Parts List

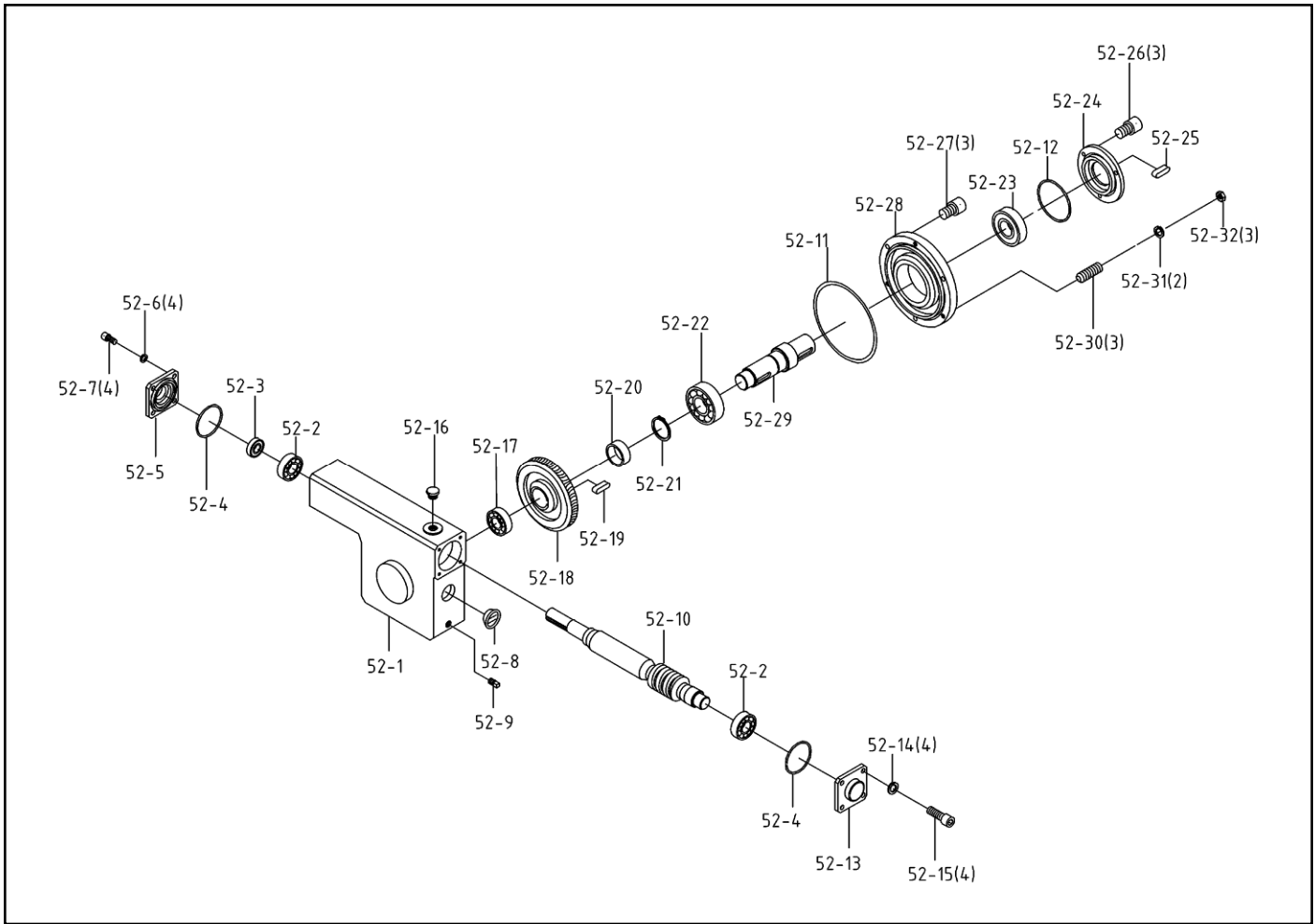


Figure 11: Exploded View of the VSF-14 Gear Box Assembly

Parts List for the VSF-14 Gear Box Assembly				
Item	Part Number	Description	Size	Qty.
52-1	5519744	Gear Box		1
52-2	BB6204Z	Bearing	6204Z	2
52-3	5519745	Oil Seal	TC20 x 32 x 7B	1
52-4	5519746	O-Retainer Ring	ID45.7 x 2.62W	2
52-5	5519747	Gearbox Drive Shaft Cover		1
52-6	TS-0720071	Lock Washer	1/4"	4
52-7	TS-0207041	Socket Head Cap Screw	1/4-20 x 3/4"	4
52-8	5519748	Oil Level Gauge	OD = 26mm	1
52-9	5519749	Oil Plug	PT1/4"	1
52-10	5519750	Worm Shaft		1
52-11	5519751	O-Retainer Ring	ID113.97 x 2.62W	1
52-12	5519752	O-Retainer Ring	ID61.6 x 2.62W	1
52-13	5519753	End Seal Cover		1
52-14	TS-0720071	Lock Washer	1/4"	4
52-15	TS-0207041	Socket Head Cap Screw	1/4-20 x 3/4"	4
52-16	5519754	Ventilation Bolt	5/8"-18UNF	1
52-17	5519755	Bearing	6205Z	1
52-18	5519756	Transmission Gear		1
52-19	5519757	Key	8 x 7 x 28	1
52-20	5519758	Bushing		1
52-21	5519759	C-Retainer Ring	S30	1
52-22	BB6206Z	Bearing	6206Z	1

Parts List for the VSF-14 Gear Box Assembly				
Item	Part Number	Description	Size	Qty.
52-23	5519760	Oil Seal	TC38 x 52 x 7B	1
52-24	5519761	Main Oil Seal Cover		1
52-25	5519762	Key	8 x 7 x 30	1
52-26	5519763	Socket Head Cap Screw	3/16" x 1/2"	3
52-27	TS-0207041	Socket Head Cap Screw	1/4-20 x 3/4"	3
52-28	5519764	Main Shaft Cover		1
52-29	5519765	Main Shaft		1
52-30	TS-0090061	Hex Cap Screw	3/8-16 x 1-1/4"	3
52-31	TS-0720091	Lock Washer	3/8"	3
52-32	TS-0570032	Hex Nut, Full	3/8 -24	3

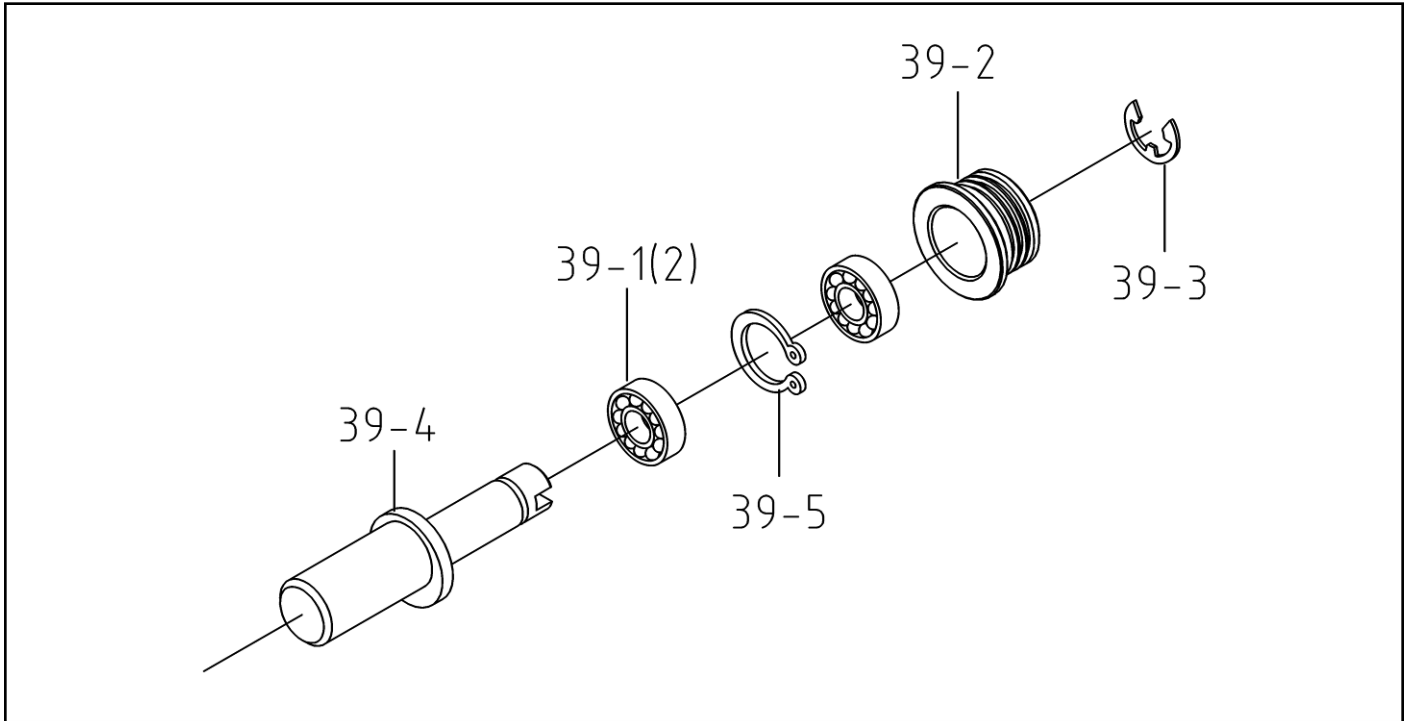


Figure 12: Exploded View of the VSF-14 Bearing Shaft Assembly

Parts List for the VSF-14 Bearing Shaft Assembly				
Item	Part Number	Description	Size	Qty.
39-1	5521712	Ball Bearing	627-2Z	8
39-2	5521713	Blade Wheel		4
39-3	5521714	E Retaining Ring	E7	4
39-4	5519732	Bearing Shaft		4
39-5	5521715	C Retaining Ring		4

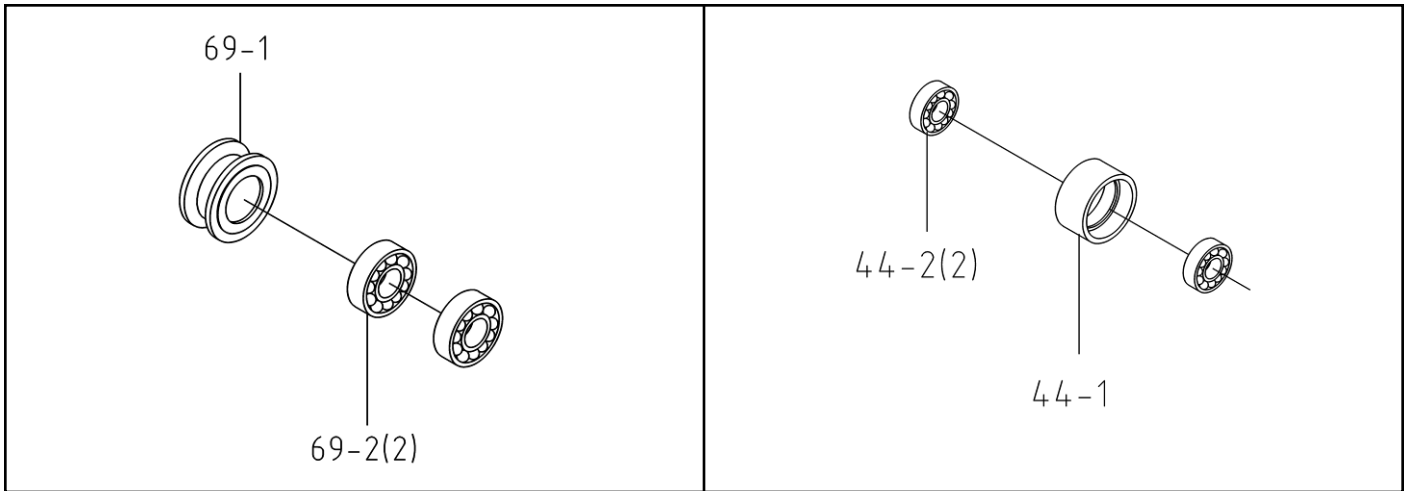


Figure 13: Exploded View of the VSF-14 Smooth Wheel Assembly

Parts List for the VSF-14 Smooth Wheel Assembly				
Item	Part Number	Description	Size	Qty.
44-1	5519738	Smooth Wheel		1
44-2	5519739	Bearing		2
69-1	5519774	Smooth Wheel		2
69-2	BB6201Z	Bearing	6201Z	4

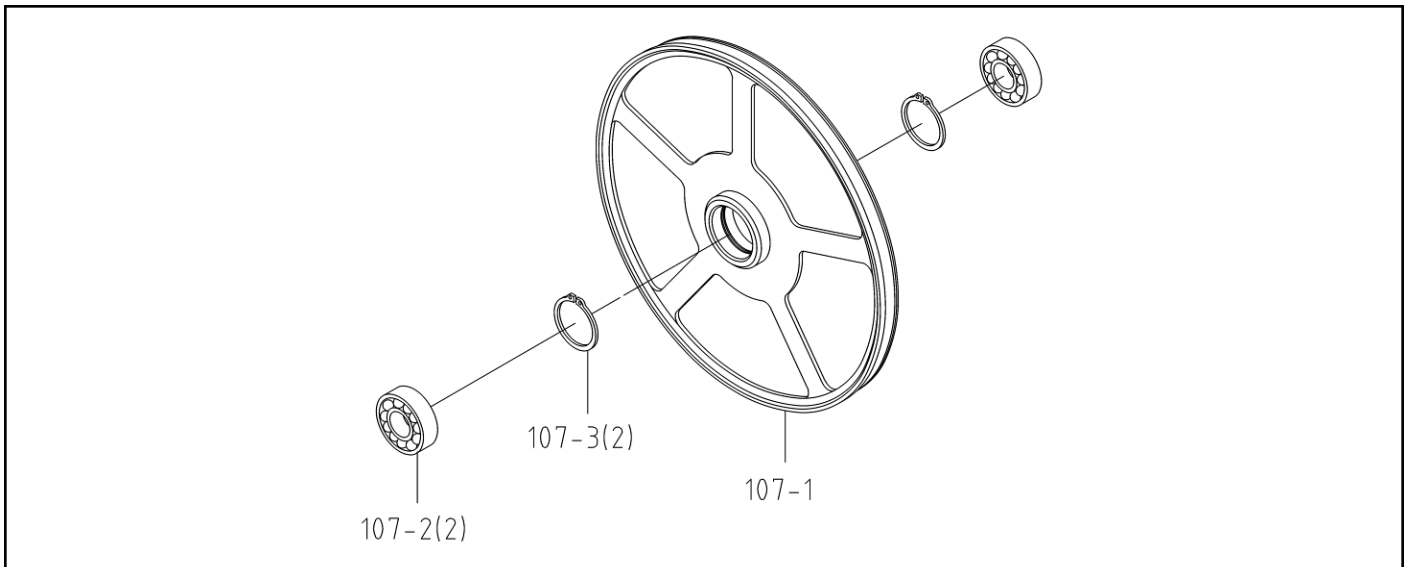
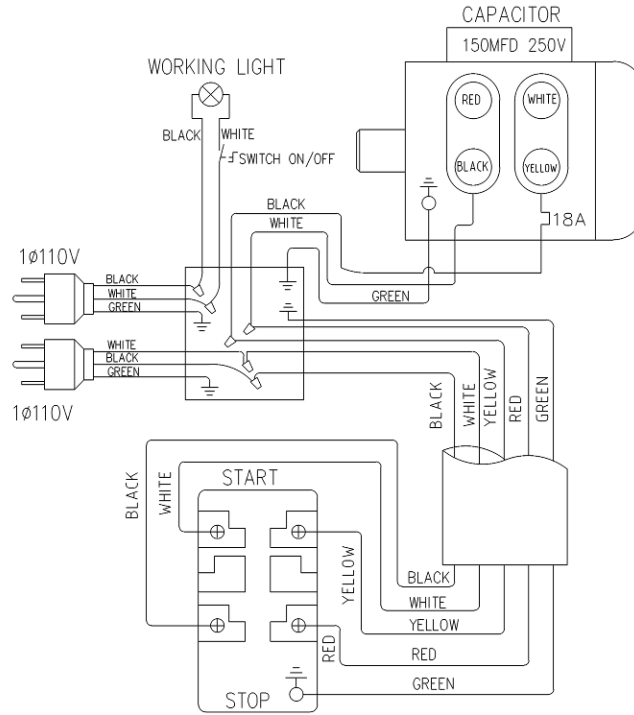


Figure 14: Exploded View of the VSF-14 Idler Wheel

Parts List for the VSF-14 Idler Wheel Assembly				
Item	Part Number	Description	Size	Qty.
107-1	5519793	Idler Wheel		1
107-2	BB6205ZZ	Bearing	6205ZZ	2
107-3	5519794	C-Retainer Ring		2

Electrical Schematics

115 Volts, Single Phase



230 Volts, Single Phase

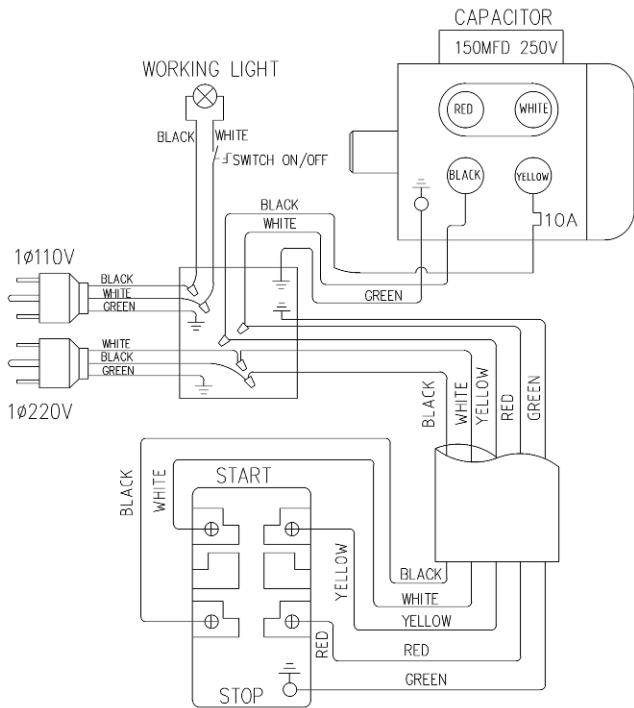
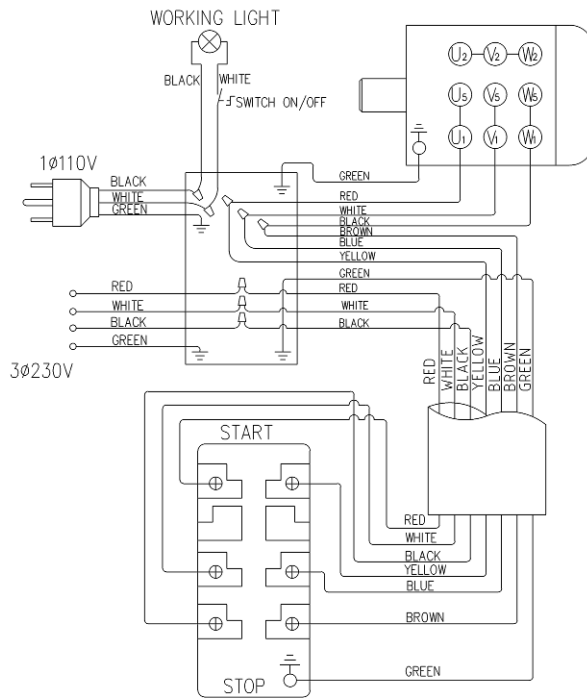


Figure 15: Electrical Schematics for Single Phase Motor

230 Volts, Three Phase



460 Volts, Three Phase

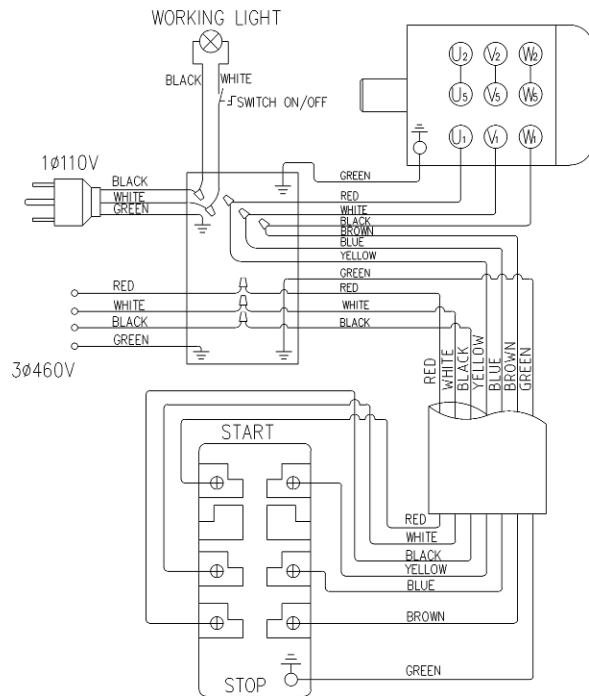


Figure 16: Electrical Schematics for Three-Phase Motor