

## Parts List: HBS-56S Band Saw

Index No.	Part No.	Description	Size	Qty
1	TS-0051031	Hex Cap Bolt	5/16"x3/4"	4
2	TS-0561011	Hex Nut	1/4"	1
3	TS-0680021	Flat Washer	1/4"	4
8	TS-0680031	Flat Washer	5/16"	11
11	TS-0051051	Hex Cap Bolt	5/16"x1"	4
12	TS-0561021	Hex Nut	5/16"	4
16	HVBS462-016	Electric Cord		1
17	HVBS462-017	Pivoting Rod		1
19	HVBS462-019	Stock Stop		1
20	TS-0270021	Socket Set Screw	5/16"x5/16"	4
21	HVBS462-021	Stock Stop Rod		1
24	TS-0561021	Hex Nut	5/16"	1
25	TS-0051031	Hex Cap Bolt	5/16"x3/4"	1
26	HVBS56M-026E	Plum Knob		1
27	HVBS462-027	Wheel Handle		1
28	HVBS462-028	Hand Wheel		1
31	HVBS56M-031	Screw	5/16"x1"	1
35	TS-0680041	Flat Washer	3/8"x1"	3
44	HB56M-044	Electric Cable		1
50	TS-0081031	Hex Cap Bolt	5/16"x3/4"	3
51	TS-0680031	Flat Washer	5/16"	3
54	HVBS56M-054	Pivot Bracket		1
57	HVBS56M-057	Adjustable Bracket LH		1
57A	HVBS56M-057A	Adjustable Bracket Assembly LH		1
58	HVBS462-058	Knob	1/4"	1
60	HVBS462-060	C-Clip	S10	4
61	BB-6000ZZ	Ball Bearing	6000ZZ	6
62	HVBS462-062	Guide Pivot		2
62-1	HVBS462-062-1	Centrifugal Guide Pivot		2
62-1A	HVBS462-062-1A	Eccentric Shaft Assembly (Includes: #60,61,62-1)		1
62A	HVBS462-062A	Center Shaft Assembly (Includes: #60-62)		1
63	HVBS462-063	Bearing Shaft Pin		2
64-1	HVBS462-064-1	Blade Seat Left		1
64-2	HVBS462-064-2	Blade Seat Right		1
65	HVBS56M-065	Adjustable Bracket RH		1
65A	HVBS56M-065A	Adjustable Bracket Assembly RH		1
66	HVBS56M-066	Lock Knob		1
68	TS-0813021	Flat Head Machine Screw	1/4"x3/8"	2
69	HVBS462-069	Deflector Plate		1
70	TS-0561031	Hex Nut	3/8"	4
71	HVBS462-071	Blade Wheel Drive		1
72	HVBS462-072	Bearing Cover		2
73	HVBS462-073	Key	5x5x25	3
74	HVBS56M-060	C-Clip	S15	1
75	HVBS462-075	Hex Cap Bolt (w/Washer)	1/4"x1/2"	6
77	HVBS462-077	Idle Blade Wheel		1
78	TS-0680031	Flat Washer	5/16"	2
79	HVBS462-079	Blade Tension Knob	3/8"	1
80	HVBS462-080	Spring		1
81	HVBS56M-081	Saw Bow		1
83	TS-0070031	Hex Cap Screw	1/2"x1-1/2"	2
84	HVBS56M-084	Motor Mount Plate		1
84-1	HVBS56M-084-1	Tension Bracket		1
85	HVBS463-085	Motor	1/2HP 1ph	1
86	HVBS462-086	Motor Pulley		1
87	BB-6202ZZ	Ball Bearing	6202ZZ	6
88	HVBS462-088	Bearing Bushing		1

## Parts List: HBS-56S Band Saw

Index No.	Part No.	Description	Size	Qty
89	OS-15375	Oil Seal		2
90	HVBS462-090	Transmission Wheel Shaft		1
91	HVBS462-091	Worm Gear		1
92	HVBS462-092	Gear Box Gasket		1
93	HVBS462-093	Gear Box Cover		1
94	HVBS462-094	Worm Gear (w/Shaft)		1
95	HVBS462-095	Spring Pin		1
96	HVBS462-096	Bearing Bushing		1
97	TS-0050011	Hex Cap Bolt	1/4"x1/2"	2
97-1	TS-0680021	Washer	1/4"	2
99	HVBS462-099	Spacer		1
100	HVBS462-100	Flat Cross Head Screw	5/32"x3/8"	8
101	HVBS462-101	Worm Gear Pulley		1
102	TS-0720081	Lock Washer	5/16"	2
103	HVBS462-103	Blade Tension Sliding Plate		1
104	TS-0270051	Socket Set Screw	5/16"x1/2"	2
105	HVBS462-105	Spring Pin		1
106	HVBS462-106	Sliding Plate Draw Block		1
107	HVBS462-107	Blade Wheel Shaft		1
108	HVBS462-108	Shaft Block		1
109	HVBS462-109	Blade Tension Sliding Guide		2
110	HVBS462-110	Motor Pulley Cover Assembly		1
112	VB-A22	V-Belt	A22	1
113	414301	Blade	5" X .025 X 64.5	1
114	TS-0680041	Flat Washer	3/8"	4
117	TS-0090061	Hex Screw	3/8"x1-1/4"	1
120	HVBS462-120	Bushing		2
123	TS-0050031	Hex Cap Screw	1/4"x3/4"	1
124	HVBS463-124	Machine Screw	3/16"x3/4"	1
125	TS-0051031	Hex Cap Bolt	5/16"x3/4"	1
126	HVBS462-126	Bushing		1
132	HVBS462-132	Blade Guard-Right		1
132-1	HVBS462-132A	Blade Guard-Left		1
141	TS-0561021	Hex Nut	5/16"	1
142	HBS56S-142	Switch Cut Off Trip		1
143	TS-0050011	Hex Cap Screw	1/4"x1/2"L	1
144	TS-0813021	Flat Head Machine Screw	1/4"X3/8"	2
145	TS-0813021	Flat Head Machine Screw	1/4"x3/8"	1
159-1	HBS56S-159-1	Nut		1
254	HBS56S-254	Support Rod		1
255	TS-0267032	Socket Set Screw	1/4"x5/16"	1
256	TS-0680011	Flat Washer	3/16"	1
257	JMLVS-108	Hex Cap Bolt	3/16"x3/8"	1
258	HBS56S-258	Cylinder Assembly		1
259	HBS56S-259	Cylinder Upper Support		1
262	TS-0050051	Hex Cap Bolt	1/4"x1"	2
263	TS-0720071	Spring Washer	1/4"	2
300	HBS56S-300	Stand Top		1
301	HBS56S-301	Working table		1
303	HBS56S-303	Wall plate		1
304	HBS56S-304	Swivel Base(Upper)		1
307	HBS56S-307	Acme Screw		1
308	HBS56S-308	Bushing		2
309	TS-0680011	Flat Washer	3/16"	2
310	TS-0208081	Hex Socket Head Screw	5/16"x1-1/2"	2
311	TS-0081031	Hex Cap Bolt	5/16"x3/4"	3
312	TS-0680032	Flat Washer	5/16"	5

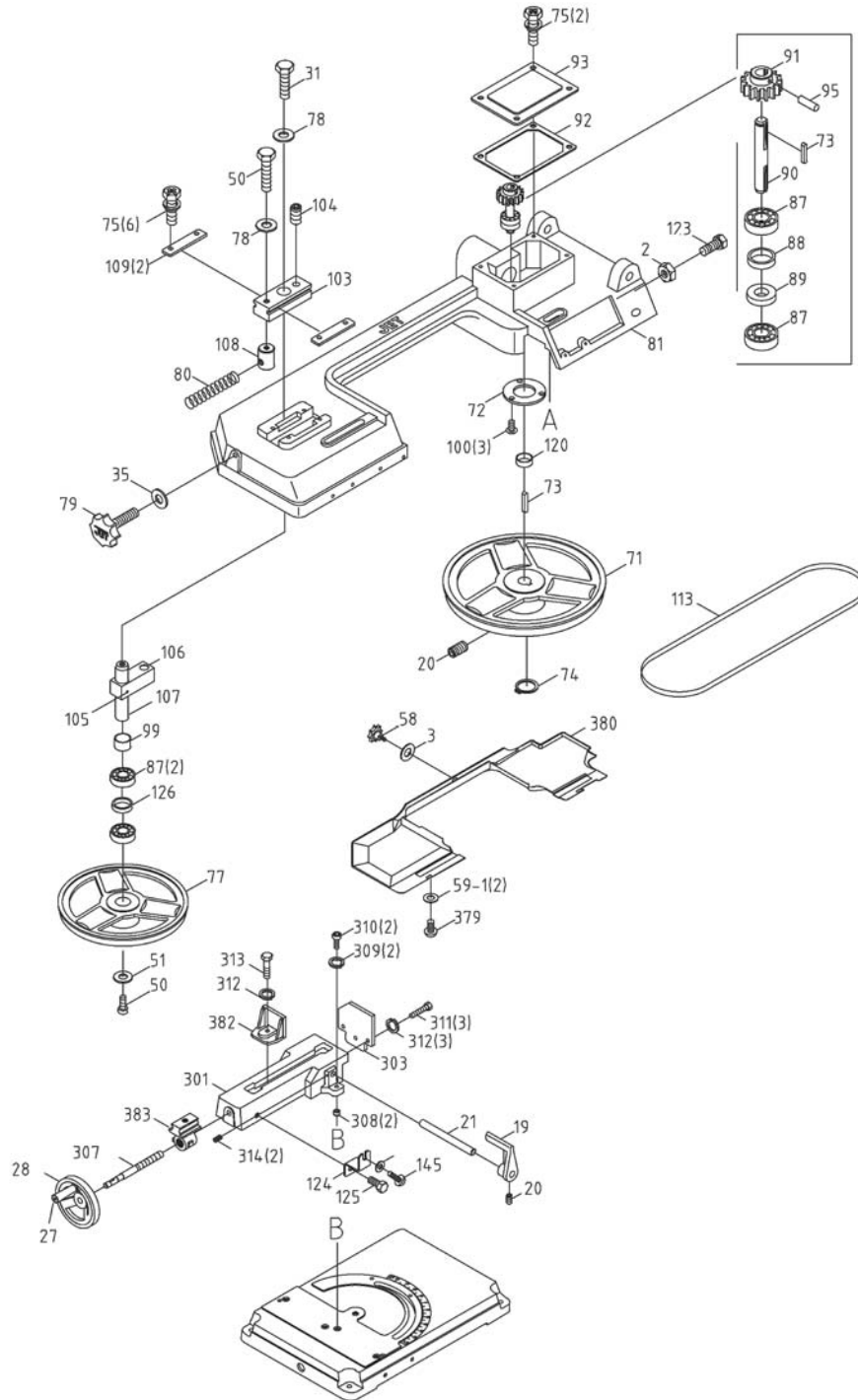
## Parts List: HBS-56S Band Saw

Index No.	Part No.	Description	Size	Qty
313	TS-0208071	Hex Socket Head Screw	5/16"x1-1/4"	2
314	TS-0267041	Set Screw	1/4"x3/8"	2
315	HBS56S-315	Positioning Ring		1
316	TS-0561051	Hex Nut	1/2"	1
318	TS-0070071	Hex Cap Bolt	1/2"x2 1/2"L	1
319	TS-0561031	Hex Nut	3/8"	1
320	TS-0070071	Hex Cap Bolt	1/2"x2-1/2"	1
324	HBS56S-324	Handle		1
325	HBS56S-325	Carriage Screw	3/8"	1
328	HBS56S-328	Switch Base		1
329	HBS56S-329	Cross Round Head Screw	3/16"x3/8"	2
330	HBS56S-330	Switch		1
330-1	HBS56S-330-1	ON/OFF Switch		1
330-2	HBS56S-330-2	Screw		4
330-3	HBS56S-330-3	Electrical Box		1
330-4	HBS56S-330-4	Cable Connector		2
330-5	HBS56S-330-5	Screw		2
338	HBS56S-338	Scale		1
350	TS-0570011	Hex Nut	1/4"	4
351	TS-0050031	Hex Cap Screw	1/4"x3/4"	4
352	HBS56S-352	Scale		1
353	HBS56S-353	Cross Round Head Screw	3/16"x1/2"	1
354	TS-0050051	Hex Cap Bolt	1/4"x1"	2
355	TS-0570011	Hex Nut	1/4"	2
356	TS-0051051	Hex Cap Bolt	5/16"x1"	1
379	HBS814GH-200	Cross Round Head Screw	1/4"-20x3/8"	2
380	HVBS56M-380	Blade Back Safety Cover		1
382	HBS56S-382	Movable vise plate		1
383	HBS56S-383	Bracket		1
384	HBS56S-384	Stand Complete Assembly		1
384-1	HBS56S-384-1	Side Plate(left)		1
384-2	HBS56S-384-2	Side Plate(Right)		1
384-3	HBS56S-384-3	Chip Pan		1
384-4	HBS56S-384-4	Front Door		1
384-5	HBS56S-384-5	Knob		1
384-6	HBS56S-384-6	Wheel Base		1
384-7	HBS56S-384-7	Hand Rod		1
384-8	HBS56S-384-8	Rubber Head Screw		2
384-9	TS-0051031	Hex Head Screw	5/16" -18x3/4"	12
384-10	TS-0680031	Flat Washer	5/16"x23xt2mm	24
384-11	TS-0561021	Hex Nut	5/16"-18	12
384-12	TS-0051071	HexHead Screw	5/16"-18x1-1/2"	4
384-13	TS-0680031	Flat Washer	5/16" x 23xt2mm	8
384-14	TS-0561021	Hex Nut	5/16"-18	4
384-15	HBS56S-384-15	Plate		1
384-16	HBS56S-384-16	Color Strip		1
385	HBS56S-385	Wheel Complete Assembly		1
385-1	HBS56S-385-1	Wheel		1
385-2	7015-308	Flat Washer	5/8"x30xt3	4
385-3	5519932	Cotter Pin	3x25	2
385-4	HBS56S-385-4	Wheel Rod		1
386	TS-0060061	Hex Head Screw	3/8"-16x1-1/4"	4
387	HBS814GH-092	Flat Washer	10x23xt2	4
388	HBS56S-388	Cap Screw		1
389	HBS56S-389	Protect Plate		1
390	HBS56S-390	Rivet	Ø2x5	3
392	TS-081C022	Cross Round Head Screw	10-24x3/8"	1

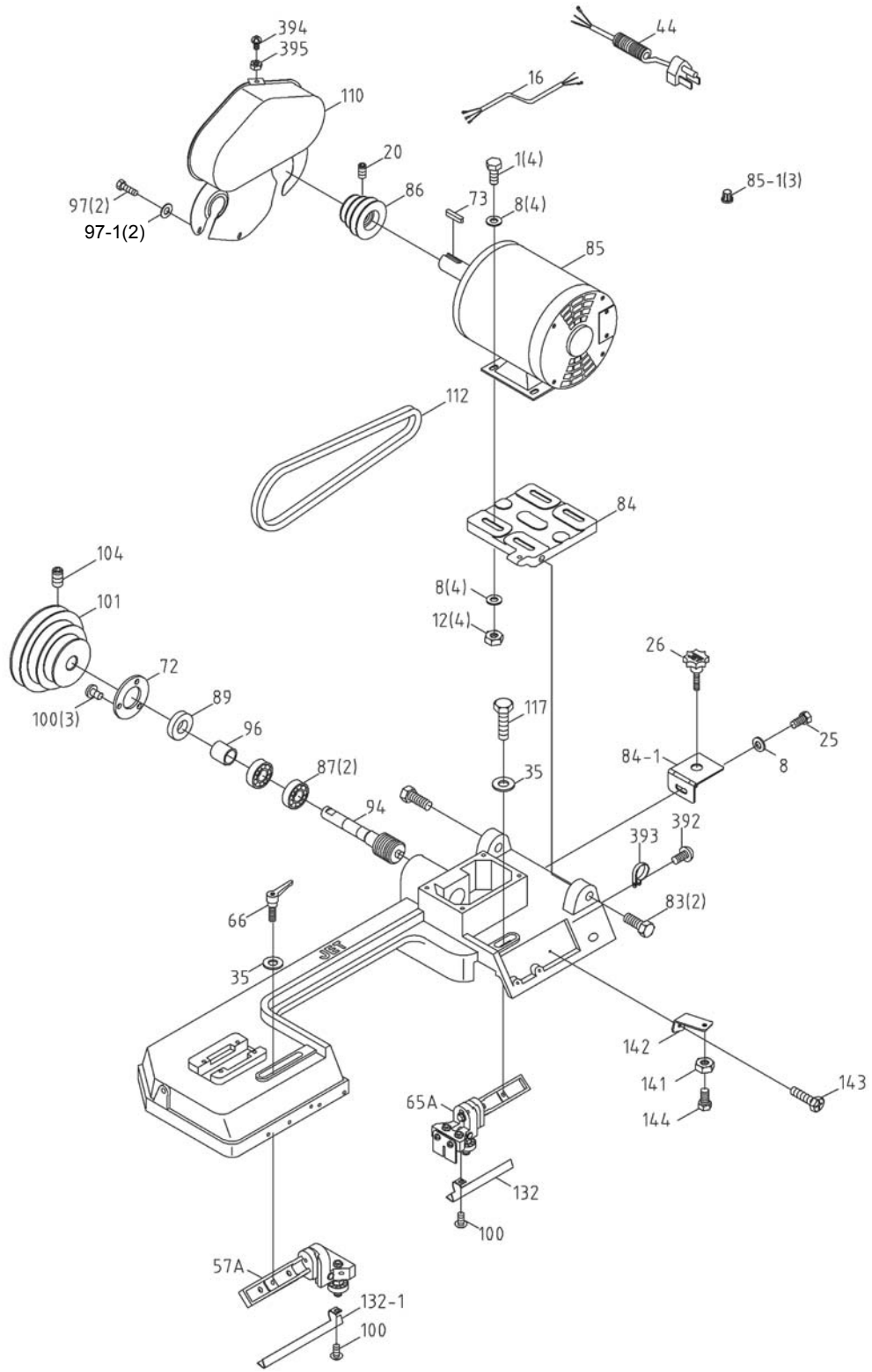
## Parts List

Index No.	Part No.	Description	Size	Qty
393	HBS56S-393	Wire Ring		1
394	TS-081C032	Cross Round Head Screw	10-24x1/2"	1
395	TS-0560071	Hex Nut	10-24	1
NS-1	HVBS463-085-01	Capacitor Cover (not shown)		1
NS-2	HVBS462-085-02	Capacitor (not shown)		1

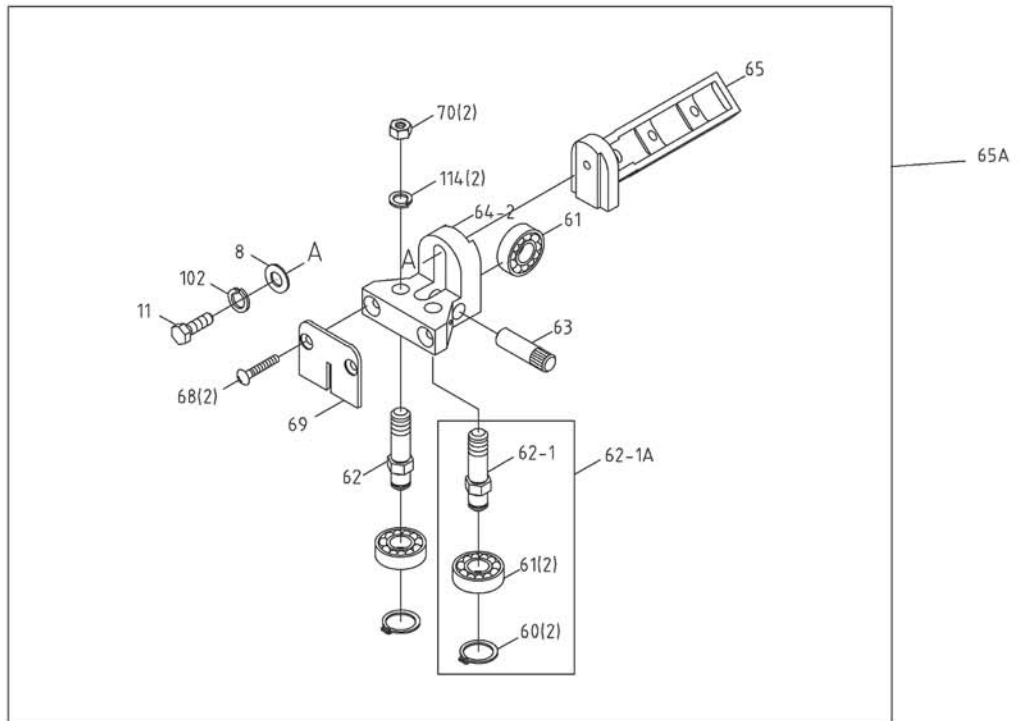
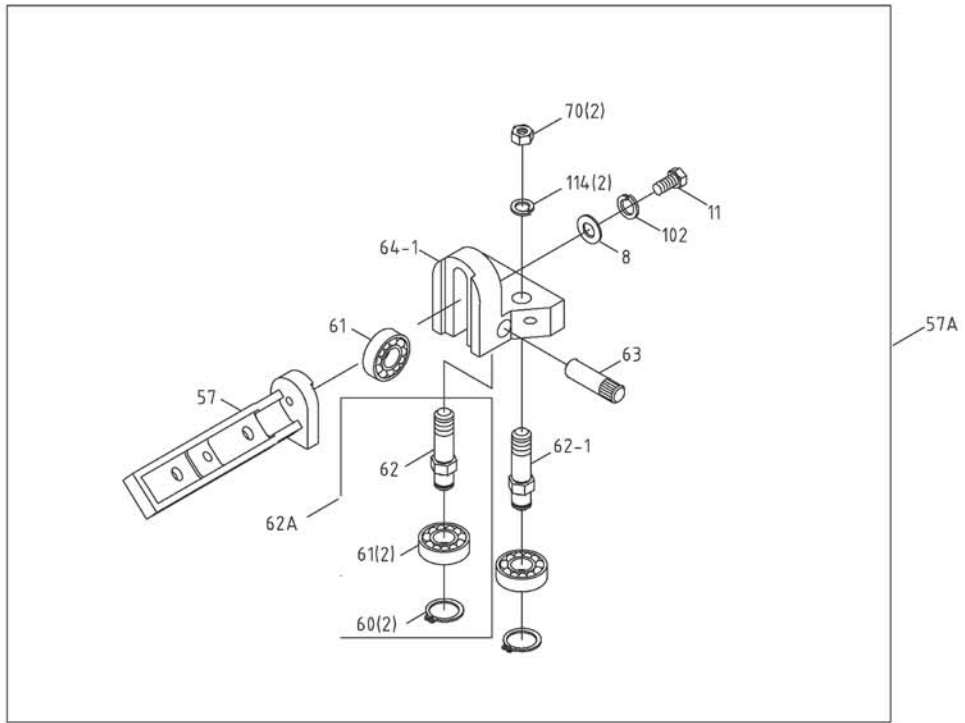
## Bow Assembly



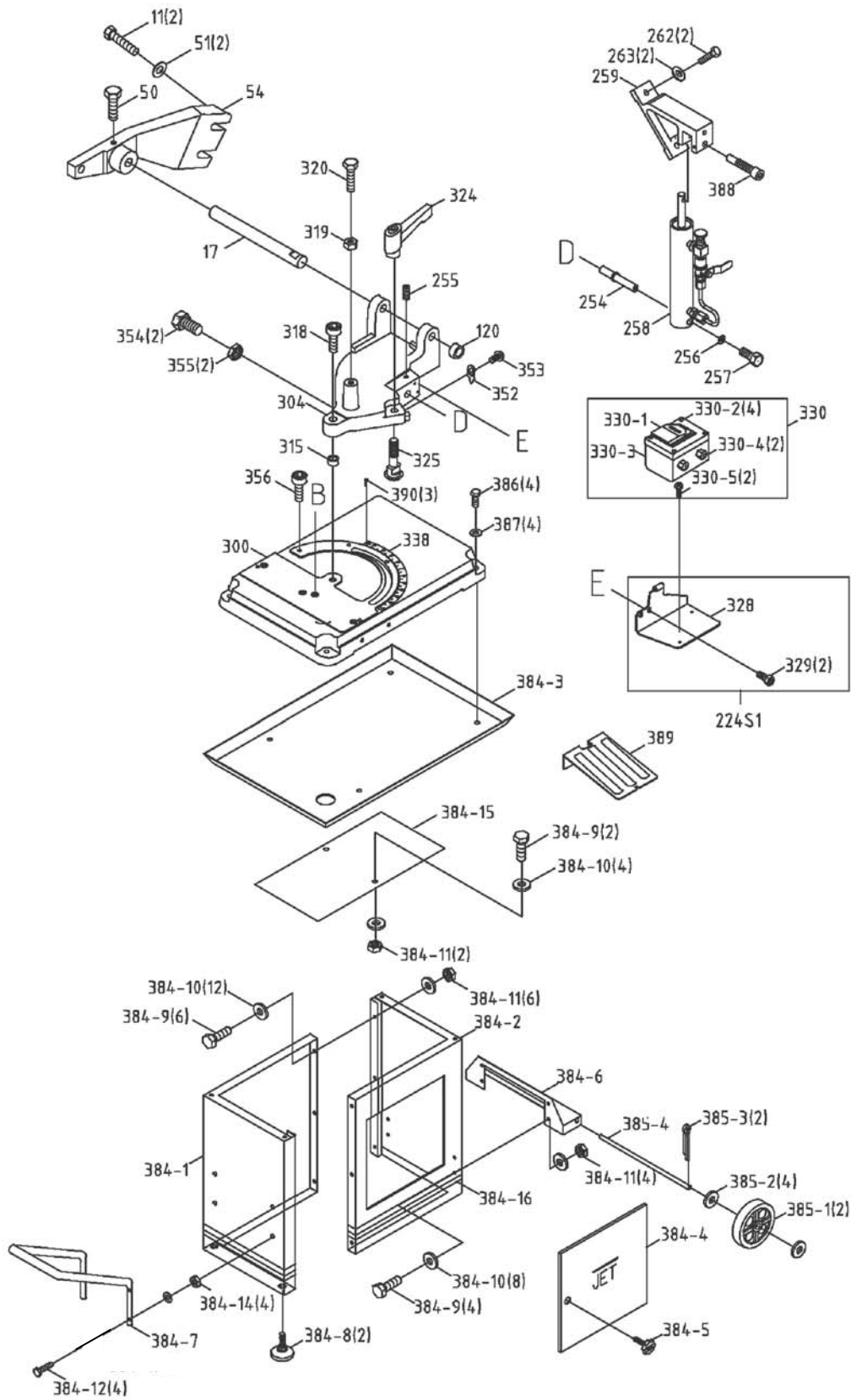
# Bow Assembly (Page 2 of 3)



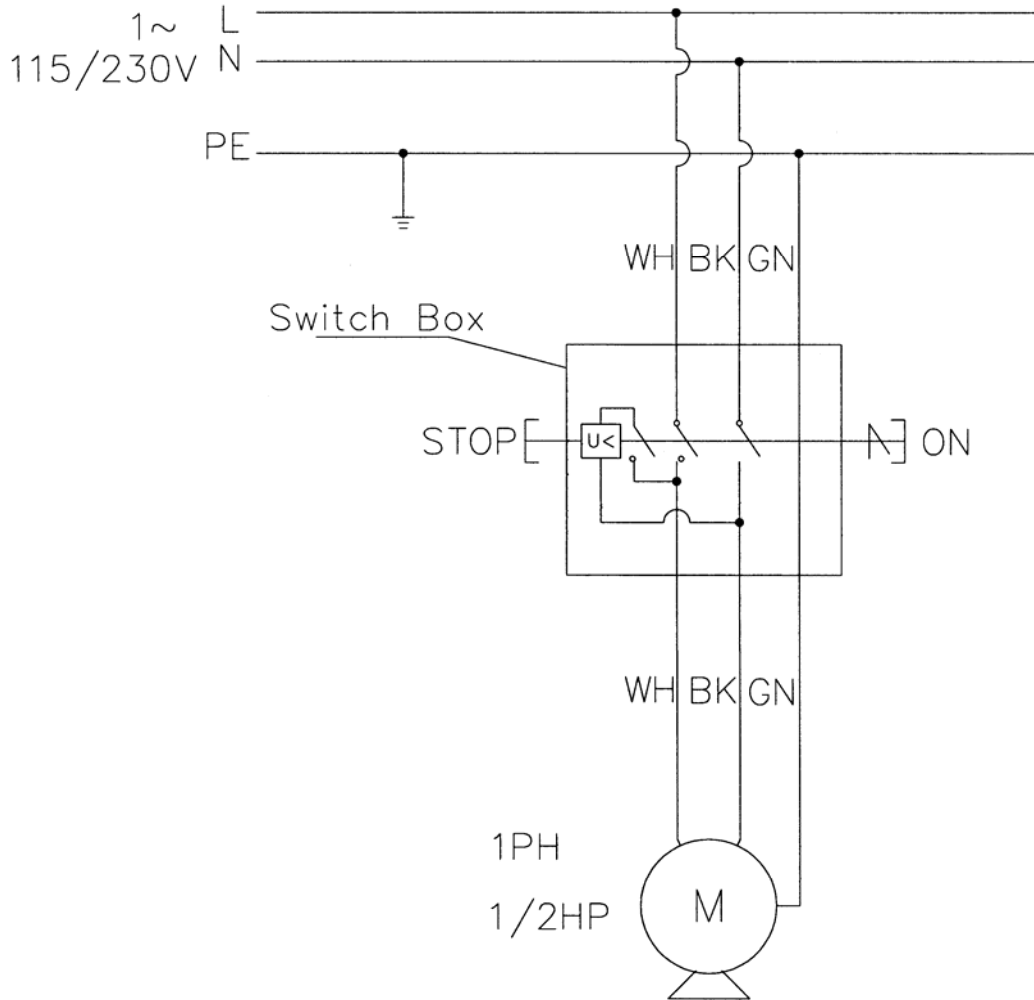
# Bow Assembly (Page 3 of 3)



# Base and Cabinet Assembly



# Electrical Connections



STOP : Stop Button Switch  
ON : Start Button Switch



**WMH Tool Group**  
2420 Vantage Drive  
Elgin, Illinois 60124  
Phone: 800-274-6848  
[www.wmhtoolgroup.com](http://www.wmhtoolgroup.com)